



Fittings	Vacuum pad model
M2.5-M Ordering code:10.025.0001 (7625001)	SU2, SU3
M5-M Ordering code:10.005.0001 (7605001)	SU2, SU3
M5-M Ordering code:10.005.0003 (7605003)	SU4, SU6, SU8 SB5, SB8
M5-M Ordering code:10.005.0004 (7605004)	SU10, SU15 SF15 SB10, SB12, SB15 SBL15
M5-F Ordering code:10.005.0006 (7605006)	AZP20 AZP25 AZP32

Fittings	Vacuum pad model
M5-F Ordering code:10.005.0007 (7605007)	AZP10 AZP13 AZP16
M5-M Ordering code:10.005.0009 (7605009)	SBP5PU SBP10PU SBP15PU
M5/18-MF Standard; 10.518.0101 Built in mesh-filter; 10.518.0001 (7651801) Built in efficiency valve; 10.518.0201	SU20, SU25, SU30 SF20, SF25, SF30 SB17, SB20 SBL20
M5/18-MFA Standard; 10.518.0102 Built in mesh-filter; 10.518.0002 (7651802) Built in efficiency valve; 10.518.0202	SU20, SU25, SU30 SF20, SF25, SF30 SB17, SB20 SBL20
M5/18-MF1 Ordering code:10.518.0003 (7651803)	SU20, SU25, SU30 SF20, SF25, SF30 (For silicone mat'l)

TXC

SB

SBF

SBL

SF

SU

SFP

SBP

SXP

AZP

AZPT

AZPR

PA

PC

PF

PJ

PJG

PS

PU

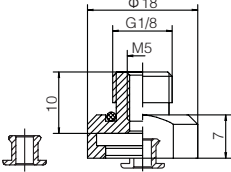
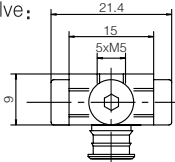
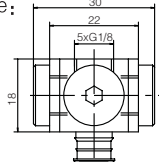
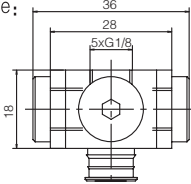
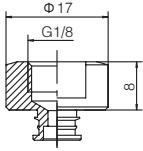
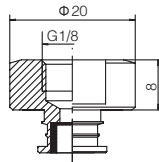
K

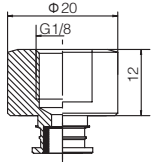
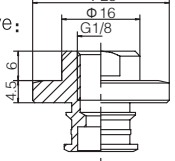
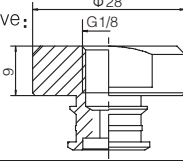
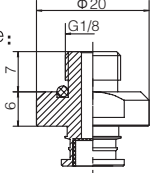
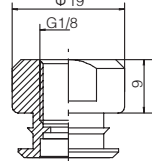
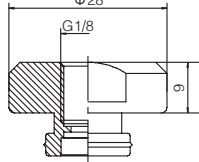
Fittings for Vacuum Pads

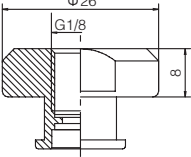
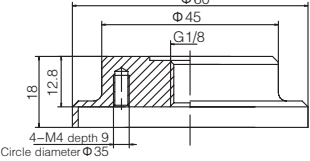
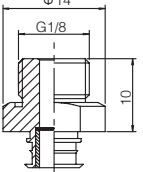
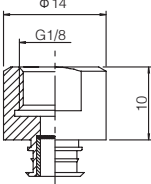
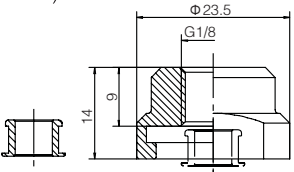
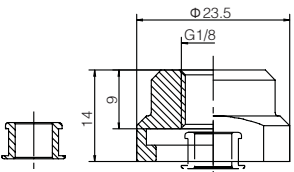
BH

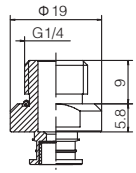
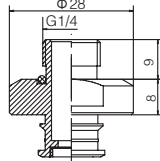
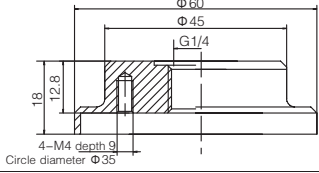
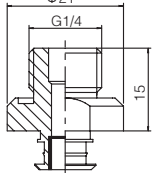
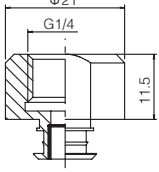
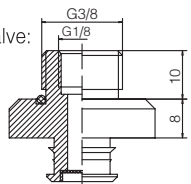
Bulkhead Connector

Ball Joint

Fittings	Vacuum pad model
M5/18-MFL Ordering code:10.518.0004 	SB17、SB20、SBL20 (For silicone mat'l)
5xM5-F Standard: 10.005.0008 Built in mesh-filter: 10.005.0108 Built in efficiency valve: 10.005.0208 	SU20、SU25、SU30 SF20、SF25、SF30 SB17、SB20 SBL20
5-18-F Standard: 10.018.0012 Built in mesh-filter: 10.018.0112 Built in efficiency valve: 10.018.0212 	SU40 SF40 SB30、SB40 SBL30、SBL40
5-18-F Standard: 10.018.0013 Built in mesh-filter: 10.018.0113 Built in efficiency valve: 10.018.0213 	SU50 SF50 SB50 SBL50
18-F Standard: 10.018.0101 Built in mesh-filter: 10.018.0001 (7618001) Built in efficiency valve: 10.018.0201 	SU20、SU25、SU30 SF20、SF25、SF30 SB17、SB20 SBL20
18-F Standard: 10.018.0102 Built in mesh-filter: 10.018.0002 (7618002) Built in efficiency valve: 10.018.0202 	SU40 SF40 SB30、SB40 SBL30、SBL40

Fittings	Vacuum pad model
18-F Standard: 10.018.0103 Built in mesh-filter: 10.018.0003 (7618003) 	SU40 SF40 SB30、SB40 SBL30、SBL40
18-F Standard: 10.018.0104 Built in mesh-filter: 10.018.0004 (7618004) Built in efficiency valve: 10.018.0204 	SU50 SF50 SB50 SBL50
18-F Standard: 10.018.0105 Built in mesh-filter: 10.018.0005 (7618005) Built in efficiency valve: 10.018.0205 	SU50 SF50 SB50 SBL50
18-M Standard: 10.018.0106 Built in mesh-filter: 10.018.0006 (7618006) Built in efficiency valve: 10.018.0206 	SU40 SF40 SB30、SB40 SBL30、SBL40
18-F Standard: 10.018.0107 Built in mesh-filter: 10.018.0007 (7618007) 	SPS 1
18-F Standard: 10.018.0102 Ordering code:10.018.0008 (7618008) 	SPS 5 SPS 5-15

Fittings	Vacuum pad model
18-F Standard: 10.018.0109 Built in mesh-filter: 10.018.0009 (7618009) 	SPS 9
18-F Ordering code:10.018.0011 (7618011) 	SB75 SF75、SF90 SFC90、SFC100
18-M Ordering code:10.018.0012 	SFP20PU SFP25PU SBP20PU SXP20PU SXP30PU
18-F Ordering code:10.018.0013 	SFP20PU SFP25PU SBP20PU SXP20PU SXP30PU
18-FA Ordering code:10.018.0010 (7618010) 	SU40 SF40 (For silicone mat'l)
18-FL Ordering code:10.018.0014 	SB30、SB40 SBL30、SBL40 (For silicone mat'l)

Fittings	Vacuum pad model
14-M Standard: 10.014.0101 Built in mesh-filter: 10.014.0001 (7614001) Built in efficiency valve: 10.014.0201 	SU40 SF40 SB30、SB40 SBL30、SBL40
14-M Standard: 10.014.0102 Built in mesh-filter: 10.014.0002 (7614002) Built in efficiency valve: 10.014.0202 	SU50 SF50 SB50 SBL50
14-F Ordering code:10.014.0003 (7614003) 	SB75 SF75、SF90 SFC90、SFC100
14-M Ordering code:10.014.0004 	SXP40PU
14-F Ordering code:10.014.0005 	SXP40PU
38-M Standard: 10.038.0101 Built in mesh-filter: 10.038.0001 (7638001) Built in efficiency valve: 10.038.0201 	SU50 SF50 SB50 SBL50

TXC

SB

SBF

SBL

SF

SU

SFP

SBP

SXP

AZP

AZPT

AZPR

PA

PC

PF

PJ

PJG

PS

PU

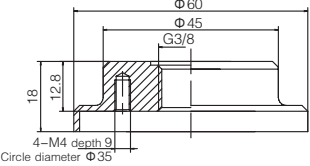
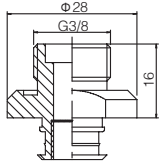
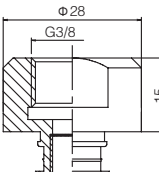
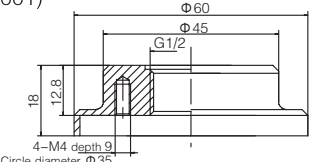
K

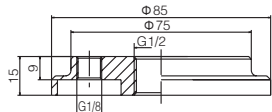
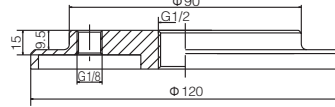
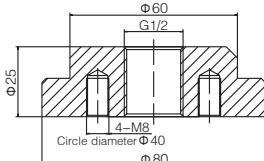
Fittings for Vacuum Pads

BH

Bulkhead Connector

Ball Joint

Fittings	Vacuum pad model
38-F Ordering code:10.038.0002 (7638002) 	SB75 SF75、SF90 SFC90、SFC100
38-M Ordering code:10.038.0003 	SXP50PU SXP70PU
38-F Ordering code:10.038.0004 	SXP50PU SXP70PU
12-F Ordering code:10.012.0001 (7612001) 	SB75 SF75、SF90 SFC90、SFC100

Fittings	Vacuum pad model
12-F Ordering code:10.012.0002 (7612002) 	SB110 SF110
12-F Ordering code:10.012.0003 	SB150 SF150
12-F Ordering code:10.012.0004 	SF200