



Specifications

Max.Vacuum Level	-86kPa
Max.Vacuum flow rate	35l/m
Air supply pressure	4-6bar Max.7bar
Air supply type	Dry compressed air

How to Order

ABM5 x 5 - 4 V
① ② ③ ④

① Model

ABM5
ABM10

② Vacuum stack

2、3、4、5、6、7、8、9、10
11、12、13、14、15、16

③ Vacuum port,inner dia. of tube

2-Φ2
4-Φ4

④ Sealing

No mark-Standard(NBR)
V-VITON
E-EPDM

Features

- ☆ This vacuum pump uses individual pumps to make up the complete unit,each pump is in itself a multistage ejector unit. Each individual pump can be stacked together this creating a modular manifold based system.
- ☆ It can be operated using just one control valve whilst retaining individual vacuum lines separate to one another,therefore if any leakage or surface deformation occurs and one pad loses its vacuum, it does not effect the vacuum level in the other pads. Pumps can be stacked up from 2-16 unit depending upon requirements.The pumps can have seal material options of Viton® & EPDM for corrosive and acidic applications.

Remark: ABM5-the most 16 stacks (can use 2 silencers between 12-16 stacks)
 ABM10-the most 12 stacks (can use 2 silencers between 6-12 stacks)

Vacuum flow(l/min)at different vacuum levels(-kPa)

Model	Vacuum flow(l/min)at different vacuum levels(-kPa)								
	0	10	20	30	40	50	60	70	80
ABM5x1	27	15	12.5	11	10	7.5	5.5	2	0.6
ABM10x1	35	28	24	22	18	15	11	5	1.35

Evacuation time(s/l)to reach different vacuum levels(-kPa)

Model	Evacuation time(s/l)to reach different vacuum levels(-kPa)								
	10	20	30	40	50	60	70	80	
ABM5x1	0.2	0.59	1.10	1.58	2.4	3.52	5.3	10.25	
ABM10x1	0.12	0.28	0.60	0.81	1.18	1.82	2.65	5.21	

Model	Max.vacuum level (-kPa)	Max.vacuum flow (l/min)	Air consumption (l/min)	Min tube inner Φ (within 2m)		
				Air supply	Vacuum	Exhaust
ABM5 × 2	86	25 × 2	29-41	>2	>2.5	3/8 × 1
ABM5 × 3		25 × 3	44-64	>2	>2.5	3/8 × 1
ABM5 × 4		25 × 4	61-85	>4	>2.5	3/8 × 1
ABM5 × 5		25 × 5	71-104	>4	>2.5	3/8 × 1
ABM5 × 6		25 × 6	89-125	>4	>2.5	3/8 × 1
ABM5 × 7		25 × 7	104-145	>4	>2.5	3/8 × 1
ABM5 × 8		25 × 8	120-168	>6	>2.5	3/8 × 1
ABM5 × 9		25 × 9	132-190	>6	>2.5	3/8 × 1
ABM5 × 10		25 × 10	148-211	>6	>2.5	3/8 × 1
ABM5 × 11		25 × 11	165-232	>6	>2.5	3/8 × 1
ABM5 × 12		25 × 12	180-252	>6	>2.5	3/8 × 2
ABM5 × 13		25 × 13	195-275	>6	>2.5	3/8 × 2
ABM5 × 14		25 × 14	208-293	>4	>2.5	3/8 × 2
ABM5 × 15		25 × 15	225-316	>4	>2.5	3/8 × 2
ABM5 × 16		25 × 16	241-335	>4	>2.5	3/8 × 2
ABM10 × 2	86	32 × 2	61-85	>4	>4	3/8 × 1
ABM10 × 3		32 × 3	91-125	>4	>4	3/8 × 1
ABM10 × 4		32 × 4	121-167	>6	>4	3/8 × 1
ABM10 × 5		32 × 5	151-212	>6	>4	3/8 × 1
ABM10 × 6		32 × 6	185-255	>6	>4	3/8 × 2
ABM10 × 7		32 × 7	211-295	>8	>4	3/8 × 2
ABM10 × 8		32 × 8	241-335	>8	>4	3/8 × 2
ABM10 × 9		32 × 9	271-376	>10	>4	3/8 × 2
ABM10 × 10		32 × 10	301-421	>10	>4	3/8 × 2
ABM10 × 11		32 × 11	332-463	>10	>4	3/8 × 2
ABM10 × 12		32 × 12	361-505	>10	>4	3/8 × 2



Specifications

Max.Vacuum Level	-92kPa
Max.Vacuum flow rate	32l/m
Air supply pressure	4-6bar Max.7bar
Air supply type	Dry compressed air

How to Order

ABX5 x 5 - 4 V
① ② ③ ④

① Model

ABX5
ABX10

③ Vacuum port, inner dia. of tube

2-Φ2
4-Φ4

② Vacuum stack

2、3、4、5、6、7、8、9、10
11、12、13、14、15、16

④ Sealing

No mark-Standard(NBR)
V-VITON
E-EPDM

Features

- ☆ This vacuum pump uses individual pumps to make up the complete unit, each pump is in itself a multistage ejector unit. It has the same external dimensions to that of the ABX minimultiple pump. However the internal ejector system is different to enable higher levels of vacuum to be achieved. Each individual pump can be stacked together this creating a modular manifold based system.
- ☆ It can be operated using just one control valve whilst retaining individual vacuum lines separate to one another, therefore if any leakage or surface deformation occurs and one pad loses its vacuum, it does not affect the vacuum level in the other pads. Pumps can be stacked up from 2-16 unit depending upon requirements. The pumps can have seal material options of Viton® & EPDM for corrosive and acidic applications.

Remark: ABX5—the most 16 stacks (can use 2 silencers between 12-16 stacks)
 ABX10—the most 12 stacks (can use 2 silencers between 6-12 stacks)

Vacuum flow(l/min)at different vacuum levels(-kPa)

Model	ABX series Vacuum flow(l/min)at different vacuum levels(-kPa)									
	0	10	20	30	40	50	60	70	80	90
ABX5x1	25	14	10	9	7.5	6	4	2.8	1.5	0.44
ABX10x1	32	21	18	16	14	11	9.5	5.5	2.5	1.1

Evacuation time(s/l)to reach different vacuum levels(-kPa)

Model	ABX series Evacuation time(s/l)to reach different vacuum levels(-kPa)									
	10	20	30	40	50	60	70	80	90	
ABX5x1	0.21	0.81	1.52	2.35	3.48	4.85	6.57	10.5	19.27	
ABX10x1	0.14	0.40	0.78	1.22	1.77	2.4	3.3	4.95	9.62	

ABM

ABX

ABM/ABX
Combined type

AM

AL

AH

AM
Combined type

AL
Combined type

AH
Combined type

AZL112

AZL212

ACP

ACPF

ACV

AZH

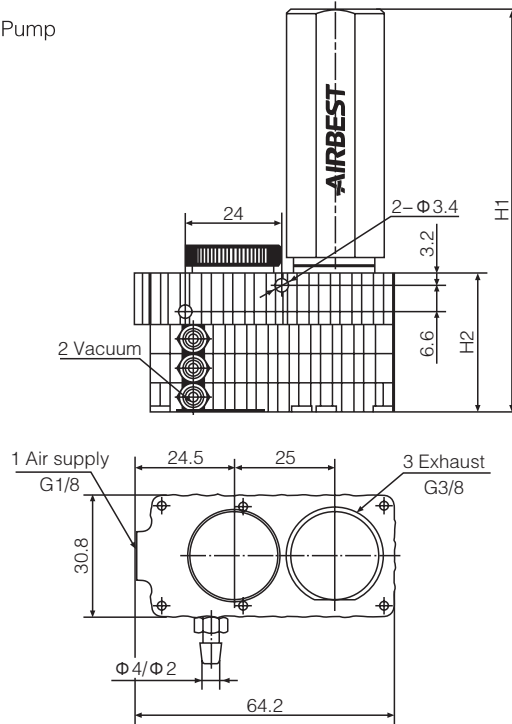
AZU

ASBP

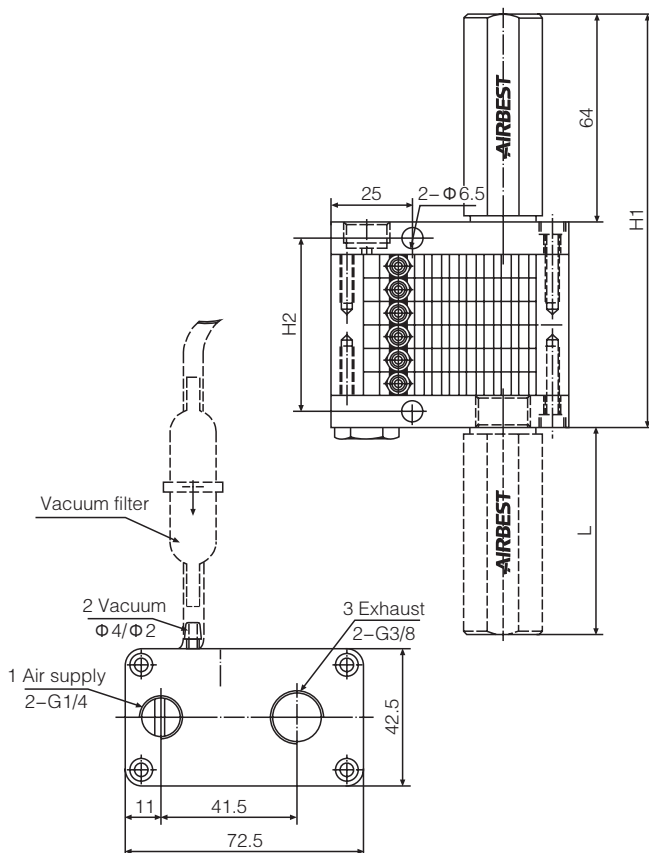
Model	Max.vacuum level (-kPa)	Max.vacuum flow (l/min)	Air consumption (l/min)	Min tube inner Φ (within 2m)		
				Air supply	Vacuum	Exhaust
ABX5 × 2	92	23 × 2	43-49	>2	>5	3/8 × 1
ABX5 × 3		23 × 3	65-73	>2	>8	3/8 × 1
ABX5 × 4		23 × 4	85-96	>4	>10	3/8 × 1
ABX5 × 5		23 × 5	106-121	>4	>12	3/8 × 1
ABX5 × 6		23 × 6	130-144	>4	>12	3/8 × 1
ABX5 × 7		23 × 7	151-167	>4	>12	3/8 × 1
ABX5 × 8		23 × 8	173-193	>6	>12	3/8 × 1
ABX5 × 9		23 × 9	195-217	>6	>10	3/8 × 1
ABX5 × 10		23 × 10	215-241	>6	>8	3/8 × 1
ABX5 × 11		23 × 11	238-265	>6	>8	3/8 × 1
ABX5 × 12		23 × 12	260-289	>6	>10	3/8 × 2
ABX5 × 13		23 × 13	281-313	>6	>12	3/8 × 2
ABX5 × 14		23 × 14	303-335	>4	>12	3/8 × 2
ABX5 × 15		23 × 15	325-361	>4	>12	3/8 × 2
ABX5 × 16		23 × 16	346-385	>4	>12	3/8 × 2
ABX10 × 2	92	32 × 2	87-96	>4	>4	3/8 × 1
ABX10 × 3		32 × 3	130-145	>4	>4	3/8 × 1
ABX10 × 4		32 × 4	173-193	>6	>4	3/8 × 1
ABX10 × 5		32 × 5	215-241	>6	>4	3/8 × 1
ABX10 × 6		32 × 6	260-288	>6	>4	3/8 × 2
ABX10 × 7		32 × 7	303-337	>6	>4	3/8 × 2
ABX10 × 8		32 × 8	346-385	>8	>4	3/8 × 2
ABX10 × 9		32 × 9	389-433	>10	>4	3/8 × 2
ABX10 × 10		32 × 10	433-481	>10	>4	3/8 × 2
ABX10 × 11		32 × 11	476-529	>10	>4	3/8 × 2
ABX10 × 12		32 × 12	519-578	>10	>4	3/8 × 2

Dimensions (mm)

ABM/ABX Combined Type Vacuum Pump



ABM5(10) ABX5(10)	H1	H2
2 Layer	92	28
3 Layer	99	35



ABM5(10) ABX5(10)	H1	H2
4 Layer	113	39
5 Layer	121	47
6 Layer	128	54
7 Layer	135	61
8 Layer	142	68
9 Layer	150	76
10 Layer	157	83
11 Layer	164	90
12 Layer	172	98
13 Layer	179	105
14 Layer	186	112
15 Layer	194	120
16 Layer	201	127

Vacuum Pumps

ABM

ABX

ABM/ABX
Combined type

AM

AL

AH

AM
Combined type

AL
Combined type

AH
Combined type

AZL112

AZL212

ACP

ACPF

ACV

AZH

AZU

ASBP