

# Safety Valves

## Type 06370

# HEROSE



### Safety Valves, angle type, bronze, type tested TÜV.SV.581. F

Standard safety valve  
with soft valve seal for fluids, open bonnet,  
with diaphragm for protection of the spring, with lifting device  
In- and outlet: female thread type G (BSPP) acc. to ISO 228/1

**Part No. 06370.X.0000**

with NBR valve seal

**Part No. 06370.X.0300**

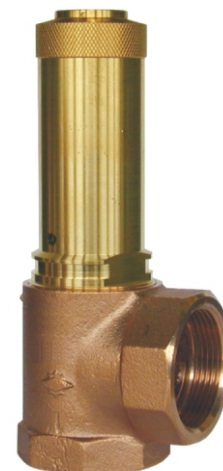
with PTFE valve seal

**Part No. 06370.X.0700**

with FPM valve seal

Available options - on request only:

- stainless steel spring - material DIN EN 1.4571
- external parts nickel plated



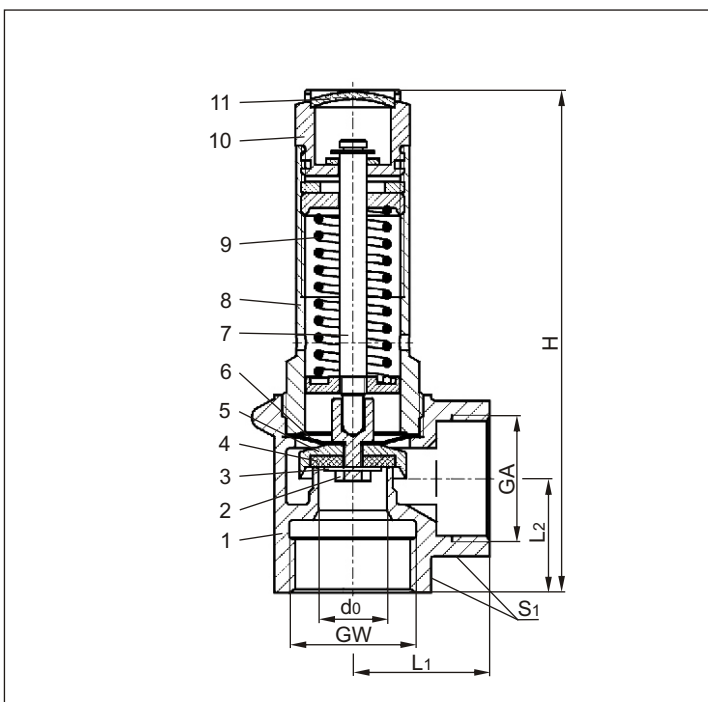
### Applications:

Provided as safety device for protection against excessive pressure in pressure vessels.  
Approved for non-toxic, non-inflammable fluids, which are not vaporized during blow off.  
Working temperature: -10°C / +14°F (263K) up to +110°C / +230°F (383K)

Materials	DIN EN	ASTM
1 Body	CC491K	B 62 UNS C83600
2 Disc nut	CW612N	B 283 UNS C37700
3 Plate	CW507L	B 30 UNS C26800
4 Valve seal	NBR, PTFE oder FPM	
5 Disc	CW612N	B 283 UNS C37700
6 Diaphragm	NBR	
7 Stem	CW612N	B 283 UNS C37700
8 Bonnet	CW612N	B 283 UNS C37700
9 Spring	1.1200	A 576 Grade 1045
10 Lifting device	CW612N	B 283 UNS C37700
11 Closing cap	CW507L	B 30 UNS C26800

**Essential:** Valves are delivered at a set pressure, therefore when ordering please confirm set pressure, medium and temperature.

Standard marking acc. to Pressure Equipment Directive 97/23/EC (PED).



Type 06370	Technical data						
Nominal size	GW	1/2	3/4	1	1-1/4	1-1/2	2
Orifice	d <sub>0</sub>	12	15	18	20	24	28
Dimension code	.X.	0400	0600	1000	1200	1400	2000
Set pressure range	bar	1.0-16	1.0-16	1.0-16	1.0-16	1.0-16	1.0-16
Outlet	GA	1/2	3/4	1	1-1/4	1-1/2	2
Height	H	92	111	132	152	175	200
Length	L <sub>1</sub>	25	30	36	40	48	56
Length	L <sub>2</sub>	20	25	30	35	40	48
Wrench size across flats	S <sub>1</sub>	27	32	41	50	58	70
Weight	ca. kg	0.24	0.40	0.70	1.07	1.65	2.65
Coefficient of discharge	α <sub>w</sub>	0.23	0.27	0.31	0.39	0.42	0.38

Dimensions in mm.

# Safety Valves

## Type 06370

# HEROSE



### Discharge capacities

Calculation of mass flow acc. to AD2000-Merkblatt A2

Medium:

**Water** in kg/h at 20°C

The capacity indicated below is for a fully opened valve.

$d_0$  - orifice

$A_0$  - flow area

Set pressure in bar (ü)	GW	1/2	3/4	1	1-1/4	1-1/2	2
	$d_0$ (mm)	12.0	15.0	18.0	20.0	24.0	28.0
	$A_0$ (mm <sup>2</sup> )	113.1	176.7	254.5	314.2	452.4	615.8
Medium							
<b>Water</b>							
<b>1.0</b>		1389	2548	4213	6543	10146	12496
<b>2.0</b>		1964	3603	5958	9254	14349	17671
<b>3.0</b>		2406	4413	7297	11334	17574	21643
<b>4.0</b>		2778	5095	8426	13087	20293	24991
<b>5.0</b>		3106	5697	9420	14632	22688	27941
<b>6.0</b>		3403	6240	10320	16028	24853	30608
<b>7.0</b>		3675	6740	11146	17312	26845	33060
<b>8.0</b>		3929	7206	11916	18508	28698	35343
<b>9.0</b>		4167	7643	12639	19630	30439	37487
<b>10.0</b>		4393	8056	13322	20692	32085	39515
<b>12.0</b>		4812	8825	14594	22667	35148	43286
<b>14.0</b>		5197	9532	15763	24483	37964	46754
<b>16.0</b>		5556	10190	16852	26174	40585	49983