

Features

- ☆ Large vacuum flows
- ☆ Short evacuation time
- ☆ Good for handling porous materials or if leakage is present
- ☆ Energy-Saving(ES)available
- ☆ Available with connection plate in aluminium(AD) and composite PPS(D)
- ☆ Supplies with a push-in connector for compressed air,through-flow silencer and mounting brackets



Specifications

Air supply pressure max	bar	7
Air supply pressure(opt)	bar	4~6
Noise level	dBA	60~65
Temperature range	°C	-20~80
Weight	g	750~1200
Material		AL, PPS, SS, PA, NBR

Technical Parameters

Model	Air supply pressure bar	Max.vacuum level (-kPa)	Max.vacuum flow (l/min)	Air consumption (l/min)	Weight(PPS materials) g	Min tube inner Φ (within 2m)		
						Air supply	Vacuum	EXhaust
AL25	6	81	360	105	675	>4	>12	>12
AL50			640	215	675	>6	>15	>15
AL75			850	320	837	>8	>19	>22
AL100			990	390	837	>8	>19	>22
AL125			1170	480	1075	>10	>25	>32
AL150			1230	620	1075	>10	>25	>32

How to Order

AL25 – D – N – A – ES

① ② ③ ④ ⑤

① Model

AL25 AL100
AL50 AL125
AL75 AL150

③ Sealing

N	NBR
E	EPDM
V	VITON

④ Non-Return Valve

A	Yes
-	No

② Connection Plate

AL25-AL100

	Air Supply	Vacuum	Exhaust	Material
D	NPSF1/8"	G3/4"	G3/4"	PPS
B	NPSF1/8"	NPT3/4"	NPT3/4"	PPS
AD	G1/4"	G3/4"	G3/4"	Aluminum
E	NPT1/4"	NPT3/4"	NPT3/4"	Aluminum

AL125-AL150

	Air Supply	Vacuum	Exhaust	Material
D	G1/4"	G1*	G1*	PPS
B	NPT1/4"	NPT1*	NPT1*	PPS
AD	G1/4"	G1*	G1*	Aluminum
E	NPT1/4"	NPT1*	NPT1*	Aluminum

⑤ Control device

	Electric air supply	Pneumatic air supply	Electric control vacuum breaking	Pneumatic control vacuum breaking	PVD	PVQ	ES	NO
PD	Electric air supply	Pneumatic air supply	Electric control vacuum breaking	Pneumatic control vacuum breaking	Electric control (air supply+vacuum breaking)Combination	Pneumatic control (air supply+vacuum breaking)Combination	Energy-saving	NO
PQ	Electric air supply	Pneumatic air supply	Electric control vacuum breaking	Pneumatic control vacuum breaking	Electric control (air supply+vacuum breaking)Combination	Pneumatic control (air supply+vacuum breaking)Combination	Energy-saving	NO
VD	Electric air supply	Pneumatic air supply	Electric control vacuum breaking	Pneumatic control vacuum breaking	Electric control (air supply+vacuum breaking)Combination	Pneumatic control (air supply+vacuum breaking)Combination	Energy-saving	NO
VQ	Electric air supply	Pneumatic air supply	Electric control vacuum breaking	Pneumatic control vacuum breaking	Electric control (air supply+vacuum breaking)Combination	Pneumatic control (air supply+vacuum breaking)Combination	Energy-saving	NO

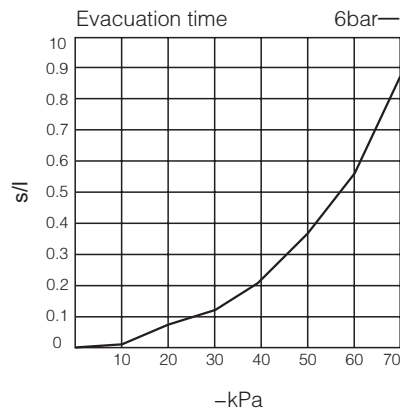
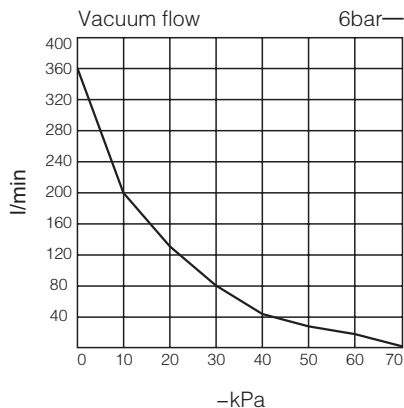
Vacuum flow(l/min)at different vacuum levels(-kPa)

Model \ -kPa	Air supply pressure	Air consumption	0	10	20	30	40	50	60	70	Max.vacuum level
AL25	6 bar	105 l/min	360	196	135	85	45	36	27	17	-81kPa
AL50		215 l/min	640	320	205	145	95	65	45	25	
AL75		320 l/min	850	430	320	190	130	105	65	40	
AL100		390 l/min	990	580	460	300	185	130	95	52	
AL125		480 l/min	1170	720	541	350	200	150	125	65	
AL150		620 l/min	1230	760	560	410	210	160	148	85	

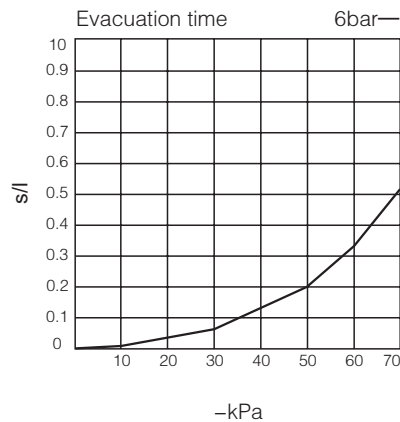
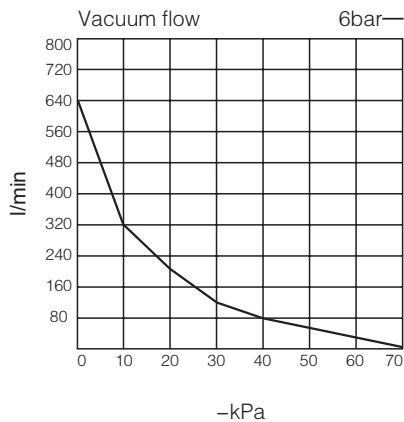
Evacuation time(s/l)to reach different vacuum levels(-kPa)

Model \ -kPa	Air supply pressure	Air consumption	10	20	30	40	50	60	70	Max.vacuum level
AL25	6 bar	105 l/min	0.03	0.06	0.1	0.2	0.39	0.58	0.87	-81kPa
AL50		215 l/min	0.018	0.039	0.066	0.12	0.20	0.31	0.51	
AL75		320 l/min	0.01	0.02	0.04	0.08	0.12	0.2	0.31	
AL100		390 l/min	0.008	0.017	0.032	0.05	0.09	0.13	0.22	
AL125		480 l/min	0.006	0.016	0.026	0.045	0.078	0.11	0.18	
AL150		620 l/min	0.005	0.014	0.024	0.04	0.071	0.1	0.16	

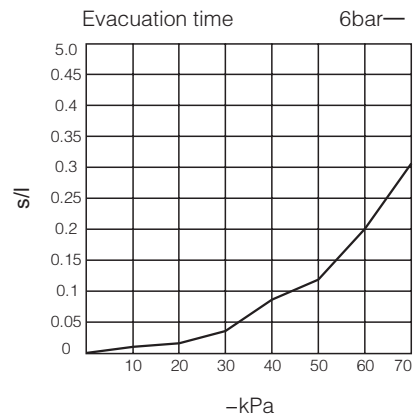
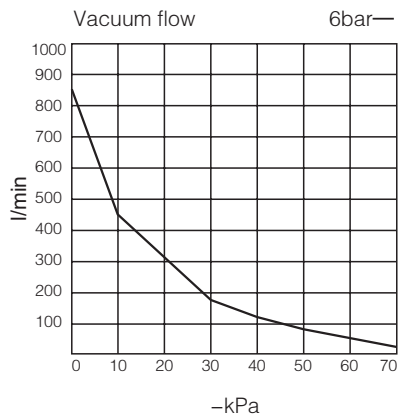
• AL25



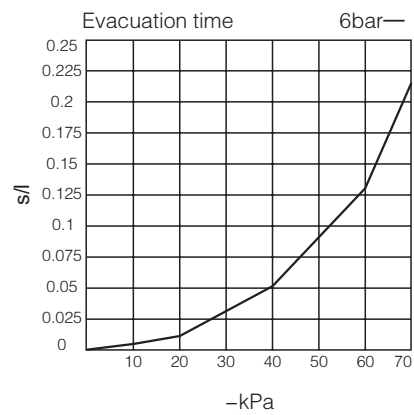
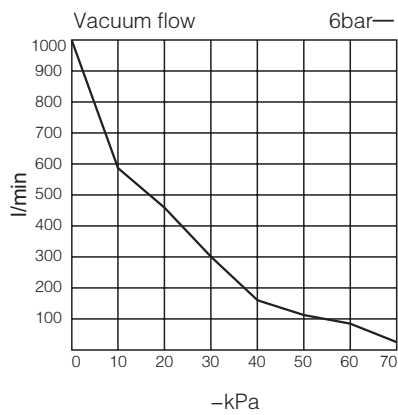
• AL50



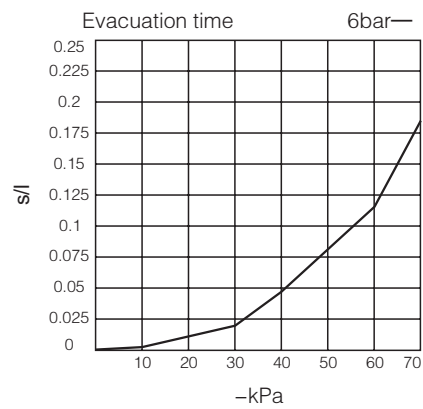
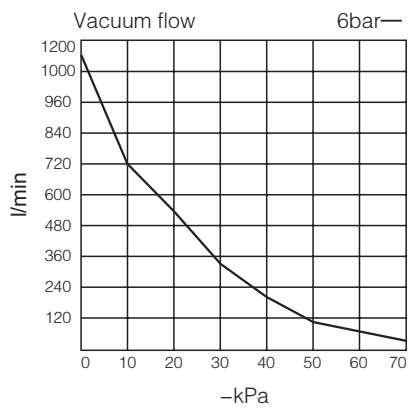
• AL75



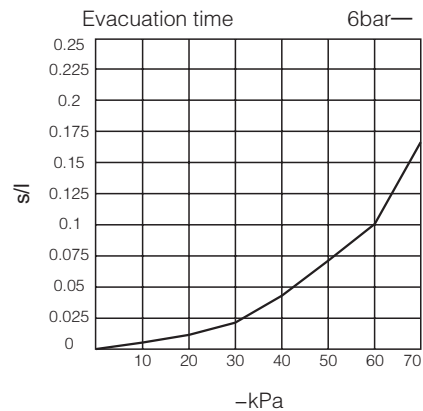
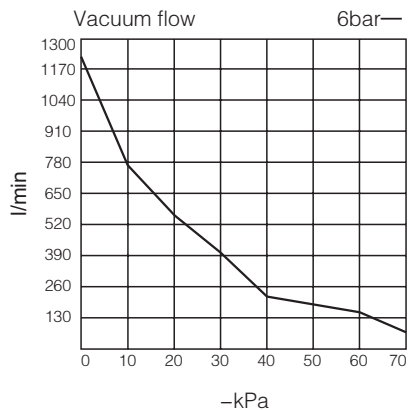
• AL100



• AL125

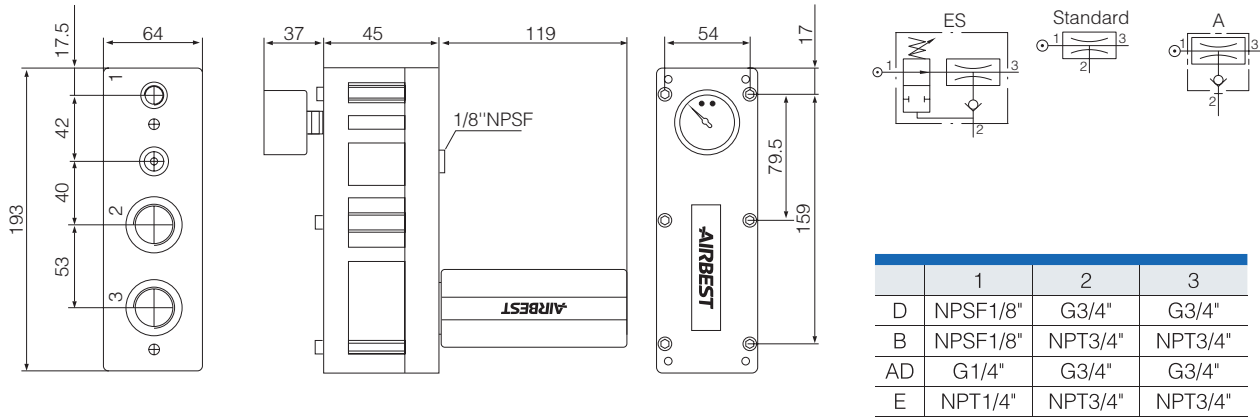


• AL150

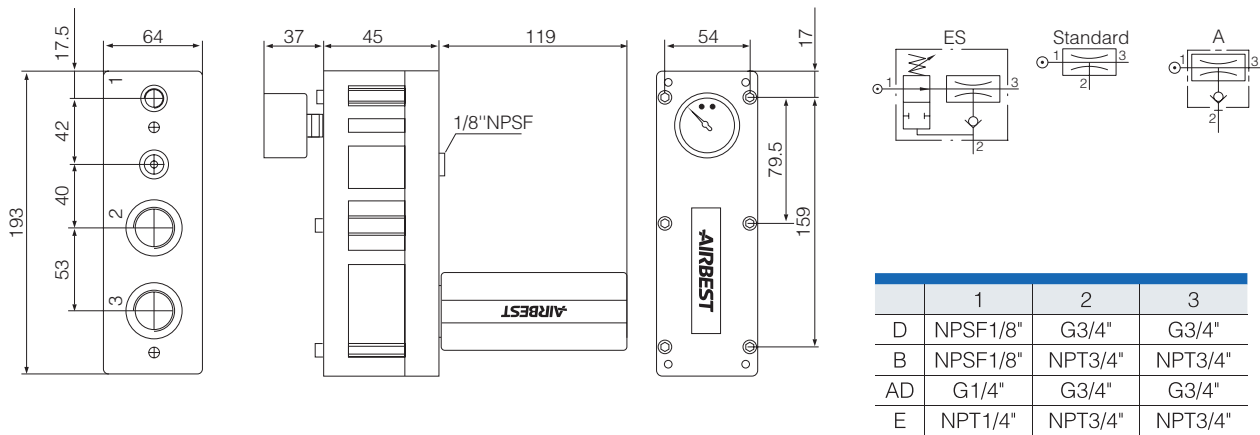


Dimensions (mm)

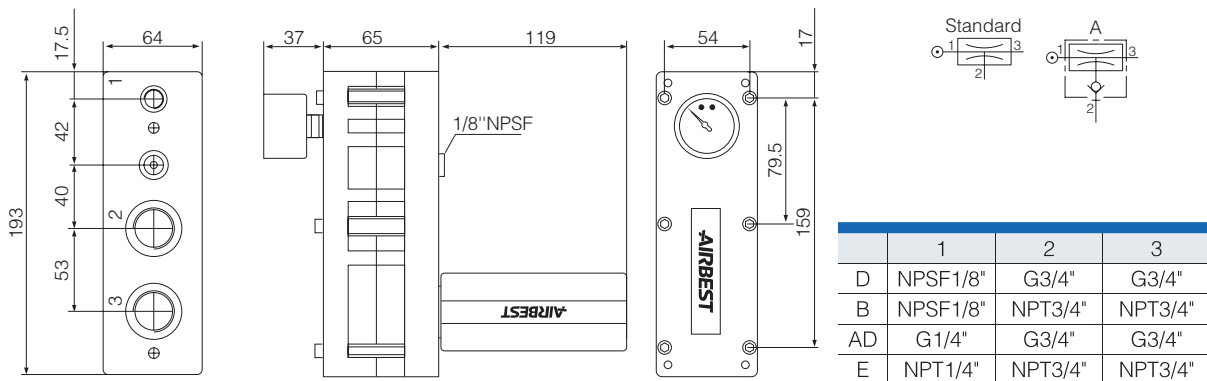
• AL25



• AL50

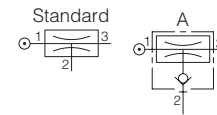
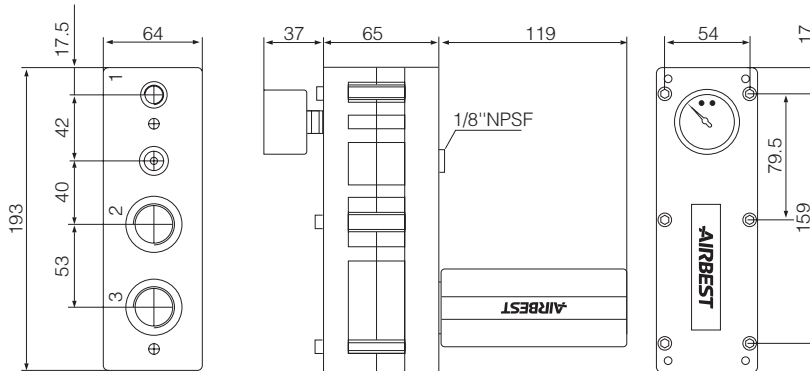


• AL75



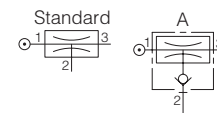
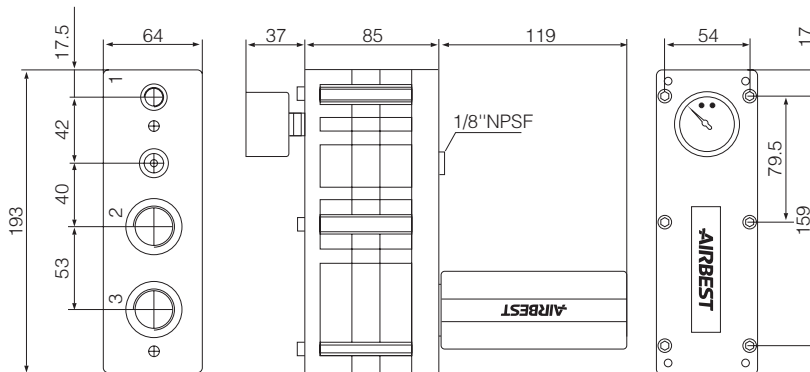
Dimensions (mm)

• AL100



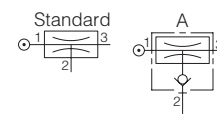
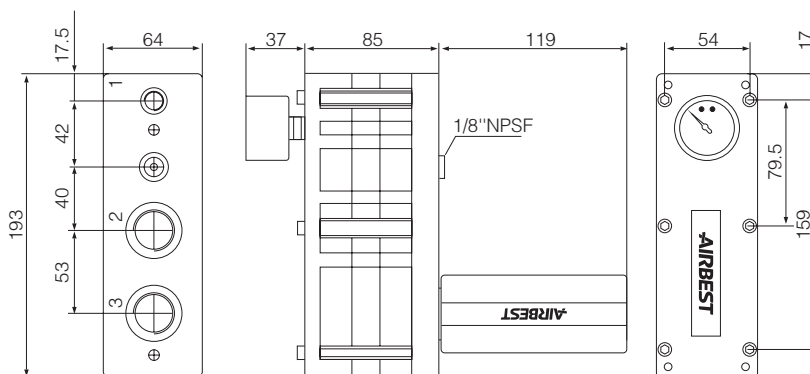
	1	2	3
D	NPSF1/8"	G3/4"	G3/4"
B	NPSF1/8"	NPT3/4"	NPT3/4"
AD	G1/4"	G3/4"	G3/4"
E	NPT1/4"	NPT3/4"	NPT3/4"

• AL125



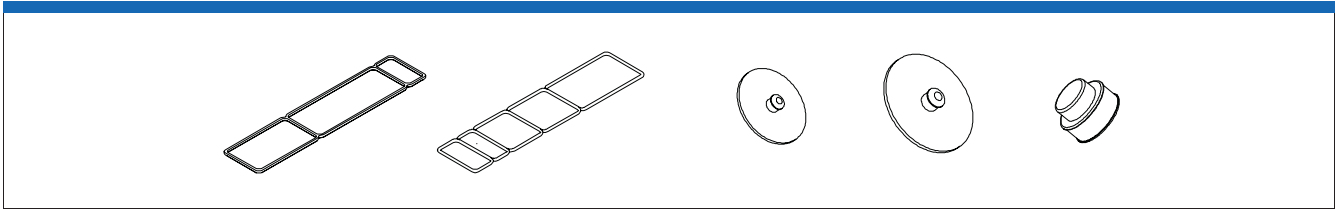
	1	2	3
D	G1/4"	G1*	G1*
B	NPT1/4"	NPT1*	NPT1*
AD	G1/4"	G1*	G1*
E	NPT1/4"	NPT1*	NPT1*

• AL150



	1	2	3
D	G1/4"	G1*	G1*
B	NPT1/4"	NPT1*	NPT1*
AD	G1/4"	G1*	G1*
E	NPT1/4"	NPT1*	NPT1*

Repair kits



Model	Ordering Code		
	NBR	VITON	EPDM
AL25	01.0025.402	01.0025.602	01.0025.802
AL50	02.0025.402	02.0025.602	02.0025.802
AL75	02.0075.404	02.0075.604	02.0075.804
AL100	02.0075.404	02.0075.604	02.0075.804
AL125	02.0125.404	02.0125.604	02.0125.804
AL150	01.0150.404	01.0150.604	01.0150.804

ABM

ABX

ABM/ABX
Combined type

AM

AL

AH

AM
Combined type

AL
Combined type

AH
Combined type

AZL 112

AZL212

ACP

ACPF

ACV

AZH

AZU

ASBP