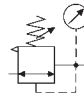


# Pressure Regulator standard



Pressure regulators (diaphragm type) keep the working pressure constant regardless of pressure fluctuations in the system and of air consumption, providing secondary air exhaust (relieving) and almost complete independence of primary pressure. Working pressure ranges from 0,5 to 3, 6, 10 and 16 bar. Operation by means of a toggle or handwheel. Special models (for example, without secondary air exhaust) upon request. Gauge can be mounted on either side. Port sizes G<sup>1/8</sup> to G<sup>1/2</sup>. **Important:** Use of filter always recommended.

Technical data	Small	Intermediate	Medium
Nominal rates of flow**	1000 NI/min	2000 NI/min	2670 NI/min
Max. inlet pressure (P <sub>1</sub> )		25 bar (PN25)	
Operating temperature		-10°C to +90°C	
Mounting position		any	
Direction of flow		arrow	
Nominal width	DN6	DN10	DN15
Dependence upon supply pressure	< 3%	< 2%	< 2%
Reversing control hysteresis		~ 1 bar	
Weight	620g	1150g	1350g
Material			
Diaphragm		NBR	
Seals		NBR	
Housing		zinc alloy	

\*\* measured at p<sub>1</sub> = 8 bar, p<sub>2</sub> = 6 bar and Δp = 1 bar

Also to be used with neutral and non-toxic gases

## Pressure Regulators 0,5-10 bar

Size	G <sup>1/8</sup>	G <sup>1/4</sup>	G <sup>3/8</sup>	G <sup>1/2</sup>
Small	323.313*	323.323*	323.333	-
Intermediate	280.313*	280.323*	280.333	-
Medium	-	-	280.353*	280.363

### special option - how to order:

323.xxx

- 1 - 0,5- 3 bar
  - 2 - 0,5- 6 bar
  - 3 - 0,5- 10 bar
  - 4 - 0,5- 16 bar
- operating pressure range
- thread (1 = G<sup>1/8</sup>, 2 = G<sup>1/4</sup>, 3/5 = G<sup>3/8</sup>, 6 = G<sup>1/2</sup>)
  - 2 - handwheel with pressure gauge
  - 3 - toggle with pressure gauge
  - 4 - handwheel without pressure gauge
  - 5 - toggle without pressure gauge

For example:

323.323 – but without pressure gauge and 0,5- 16 bar = 323.524

### Accessories

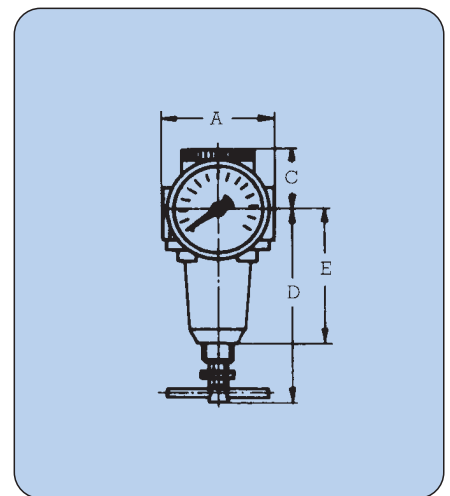
	Small	Intermediate	Medium
Bracket mounting	323-68	280-134	280-132
Panel mounting	323-69	323-66	280-133
Panel thread	M14x1	M20x1,5	M22x1

### Main spare parts

	Small	Intermediate	Medium
Pressure gauge	ø50	ø63	ø63
display range			
0- 6bar	42	213	213
0- 10bar	55	214	214
0- 16bar	85	215	215
0- 25bar	96	216	216
Seal cone complete	323-119	406-37	280-220
Diaphragm complete	323-152	280-223	280-221

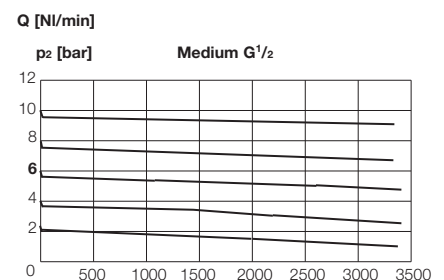
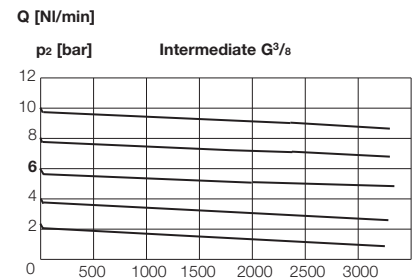
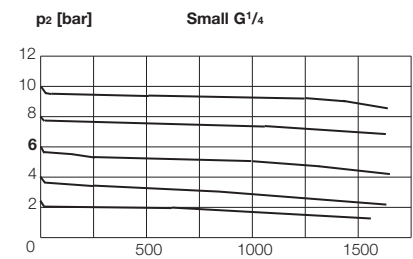
### Dimensions [mm]

Size Port	Small G <sup>1/8</sup> *, G <sup>1/4</sup> *, G <sup>3/8</sup>			Intermediate G <sup>1/8</sup> *, G <sup>1/4</sup> *, G <sup>3/8</sup>			Medium G <sup>3/8</sup> *, G <sup>1/2</sup>	
A	61	61	54	77	77	70	90	82
C	30	30	30	33	33	33	34	34
D	100	100	100	127	127	127	136	136
E	67	67	67	78	78	78	85	85



### Rates of flow

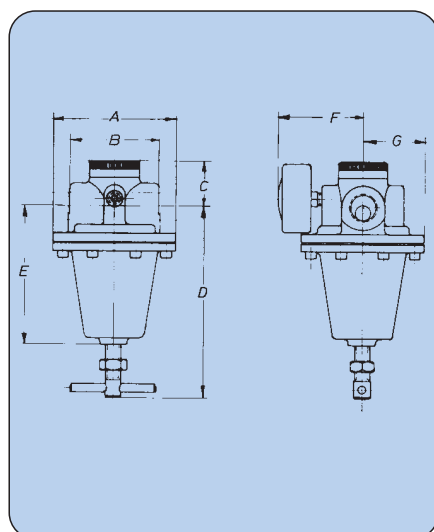
p<sub>1</sub> = p<sub>2</sub> + 2 bar



\* Inlet and outlet reduced

# Pressure Regulator

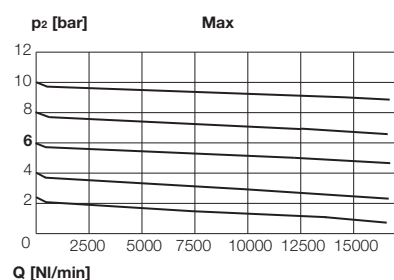
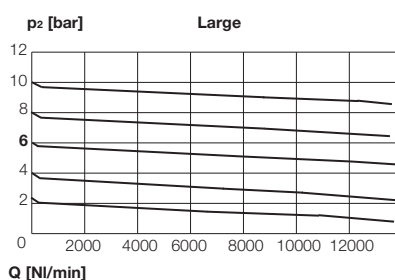
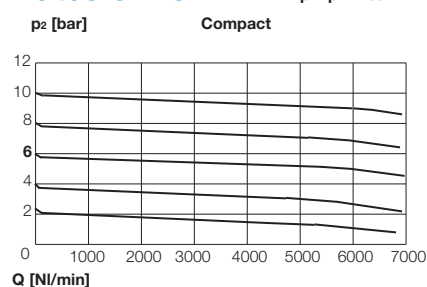
## standard

406.xxx  
Compact280.xxx  
Large/Max

### Dimensions [mm]

Size Port	Compact G <sup>3/4</sup> *, G1		Large G <sup>3/4</sup> *, G1		Max G1 <sup>1/4</sup> *, G1 <sup>1/2</sup>	
A	-	-	116	116	116	116
B	96	90	95	83	128	114
C	47	47	41	41	50	50
D	139	139	175	175	190	190
E	89	89	-	-	-	-
F	77	77	80	80	80	80
G	39	39	58	58	58	58

### Rates of flow

p<sub>1</sub> = p<sub>2</sub> + 2bar

Pressure regulators (diaphragm type) keep the working pressure constant regardless of pressure fluctuations in the system and of air consumption, providing secondary air exhaust (relieving) and almost complete independence of primary pressure. Working pressure ranges from 0,5 to 3, 6, 10, 16 and 25 bar. Operation by means of a toggle or handwheel (size Large + Max for 16 and 25 bar with hexagon screw sw 19. Special models (for example, without secondary air exhaust) upon request. Gauge can be mounted on either side. Port sizes G<sup>3/4</sup> to G1<sup>1/2</sup>.

**Important:** Use of filter always recommended.

### Technical data

	Compact	Large	Max
Nominal rates of flow**	5330 NI/min	7830 NI/min	12160 NI/min
Max. inlet pressure (P <sub>1</sub> )	25 bar (PN25)	40 bar (PN40)	40 bar (PN40)
Operating temperature		-10°C to +90°C	
Mounting position		any	
Direction of flow		arrow	
Nominal width	DN20	DN20	DN25
Dependence upon supply pressure < 3%		< 1,5%	< 1,5%
Reversing control hysteresis		~1 bar	
Weight	2050g	3480g	5260g
Material			
Diaphragm		NBR	
Seals		NBR	
Housing	zinc alloy	brass	brass

\*\* measured at p<sub>1</sub> = 8 bar, p<sub>2</sub> = 6 bar and Δp = 1 bar

Also to be used with neutral and non-toxic gases

### Pressure Regulators 0,5-10bar

Size	G <sup>3/4</sup>	G1	G1 <sup>1/4</sup>	G1 <sup>1/2</sup>
Compact	406.283*	406.293	-	-
Large	280.383*	280.393	-	-
Max	-	-	280.3103*	280.3113

### special option - how to order:

406.xxx (Compact)

- 1 - 0,5- 3bar
- 2 - 0,5- 6bar
- 3 - 0,5-10bar
- 4 - 0,5-16bar

- thread (8=G<sup>3/4</sup>, 9=G1)

- 2 - handwheel with pressure gauge (to 10bar)
- 3 - toggle with pressure gauge
- 4 - handwheel without press. gauge (to 10bar)
- 6 - toggle without pressure gauge

280.xxxx (Large/Max)

- 1 - 0,5- 3bar
- 2 - 0,5- 6bar
- 3 - 0,5-10bar
- 4 - 0,5-16bar
- 5 - 0,5-25bar

- thread (8=G<sup>3/4</sup>, 9=G1,  
10=G1<sup>1/4</sup>, 11=G1<sup>1/2</sup>)

- 3 - toggle\* with pressure gauge
- 5 - toggle\* without pressure gauge

\* 16+25 bar with hexagon screw

For example: **280.3113** – but **without pressure gauge** and **0,5-25bar** = **280.5115**

### Accessories

	Compact	Large	Max
Bracket mounting	406-17	280-239	280-239
Panel mounting	406-18	-	-
Panel thread	M28x1,5		

### Main spare parts

	Compact	Large	Max
Pressure gauge	ø63	ø63	ø63
display range 0- 6bar	213	213	213
0-10bar	214	214	214
0-16bar	215	215	215
0-25bar	216	216	216
0-40bar	-	217	217
Seal cone complete	406-32	280-218	280-235
Diaphragm complete	406-50	280-219	280-219