

Features

- ☆ 1.5 bellow vacuum pad
- ☆ The vacuum pad can be horizontal adjustment, It is suitable for transferring objects with height difference
- ☆ It is particularly good for use on curved surface and for separating thin sheets of materials.

Applications

- ◇ Veneer sheet
- ◇ Steel plate
- ◇ Carton box
- ◇ Thin sheet
- ◇ Electronic components



How to Order

SB12 N F – 18F EH – KE1820–A16 –BH–G1/8

① Model		② Material (Shore hardness)		④ Connection thread	
SB5	φ5	N	NBR(55°)	18–F	G1/8 Female thread (SB17,SB20,SB30,SB40,SB50,SB75)
SB6X	φ6	S	Silicone(50°)	5 × 18F	5 × G1/8 Female thread (SB30,SB40,SB50)
SB8	φ8	WS	White silicone(50°)	15–FL	G1/8 Female thread (SB30,SB40)
SB10	φ10	CS	Conductive(Special mat'l)(50°)	14–F	G1/4 Female thread (SB75)
SB12	φ12	PU	Poly urethane(60°)*	38–F	G3/8 Female thread (SB75)
SB15	φ15			12–F	G1/2 Female thread (SB75,SB110,SB150)
SB17	φ17			M5–M	M5 Male thread (SB5,SB8,SB10,SB12,SB15)
SB20	φ20			M5/18MF	M5 Female thread and G1/8 Male thread (SB17,SB20)
				M5/18–MFL	M5 Female thread and G1/8 Male thread (SB17,SB20)
				5 × M5–F	5 × M5 Female thread (SB17,SB20)
				18–M	G1/8 Male thread (SB30,SB40)
				14–M	G1/4 Male thread (SB30, SB40,SB50)
				38–M	G3/8 Male thread (SB50)

③ Filter		⑤ Vacuum efficiency valve	
F	With filter(PE) (SB30,40,30,50,75,110)	EH	Vacuum efficiency valve (SB17,20,30,40, 50)
–	No	–	No

*Only for SB15,SB20,SB30, SB40, SB50,SB75


Accessories

KE1820–A16 BH–G1/8

⑥ Spring plunger		⑦ Ball Joint	
Model	Buffer stroke(mm)		
KE510–A12, KE510–Y–A12	10	–	
KE520–A12, KE20–Y–A12	20		
KI506–R–A8, KI506–B–A8, KI506–E–A8, KI506–S–A8	06		
KI510–R–A8, KI510–B–A8, KI510–E–A8, KI510–S–A8	10		
KI525–R–A8, KI525–B–A8, KI525–E–A8, KI525–S–A8	25		
KI507–V–A10	7		
KI515–V–A10	15		
KI520–V–A10	20		
KE1810–A16, KE1810–L–A14, KE1810–V–A16	10		BH–G1/8
KE1820–A16, KE1820–L–A14, KE1820–V–A16	20		
KE1830–A16, KE1830–L–A14, KE1830–V–A16	30		
KE1850–A16, KE1850–L–A14, KE1850–V–A16*	50		
KI1810–A16, KI1810–L–A16, KI1810–V–A16	10		
KI1820, KI1820–L–A16, KI1820–V–A16*	20		
KI1830–A16, KI1830–L–A16, KI1830–V–A16	30		
KI1850–A16, KI1850–L–A16, KI1850–V–A16*	50		
KE1210–L–A20, KE1210–A20	10	BH–G1/2	
KE1220–L–A20, KE1220–A20	20		
KE1230–L–A20, KE1230–A20	30		
KE1250–L–A20, KE1250–A20	50		
KI1210–L–A20, KI1210–A18, KI1210–A22	10		
KI1220–L–A20, KI1220–A18, KI1220–A22	20		
KI1230–L–A20, KI1230–A18, KI1230–A22	30		
KI1250–L–A20, KI1250–A18, KI1250–A22	50		

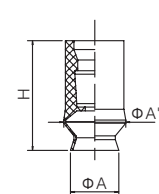
*Not available with ball joint.

Recommended(Max.)lifting force(N)

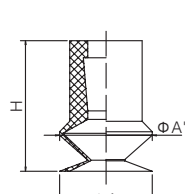
Model	Volume cm ³	Vertical lifting force(N) 		
		-20kPa	-60kPa	-90kPa
SB5	0.05	0.295	0.786	0.99
SB6X	0.09	0.5	1.076	1.375
SB8	0.15	0.786	1.7	2.45
SB10	0.48	1.7	3.5	5.1
SB12	0.59	2.2	4.2	7.2
SB15	1.1	3.3	6	8.9
SB17	1.5	3.93	7.82	9.7
SB20	2.7	5.8	10.6	15
SB30	10	13	25	28
SB40	15	22.5	42	50.2
SB50	32	34	65	83
SB75	110	74	166.4	226
SB110	310	136.5	343	460.5
SB150	650	295	686	883

Dimensions (mm)

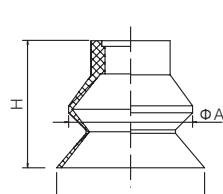
▼SB6X



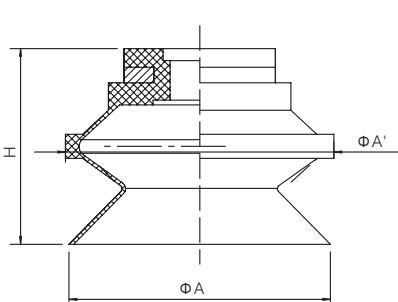
▼SB5 SB8 SB10 SB12 SB15



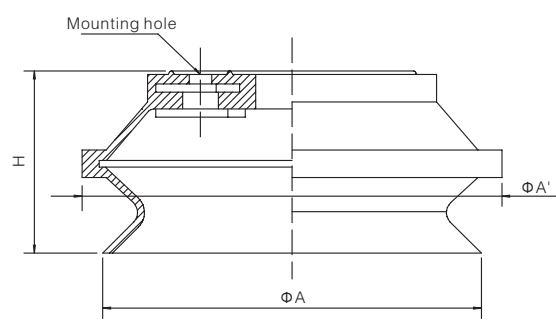
▼SB17



▼SB20 SB30 SB40 SB50



▼SB75 SB110 SB150



Model	ΦA	ΦA'	H
SB6X	7	9	13.5
SB5	5.8	6.2	9.2
SB8	8.8	9.6	11.9
SB10	11	12	16
SB12	12	14	16.5
SB15	15.5	17.5	19.5
SB17	18.5	16.6	15.6

Model	ΦA	ΦA'	H	Mounting hole
SB20	22	24	19	—
SB30	34	36	26	—
SB40	43	46	28	—
SB50	53	58	35	—
SB75	78	83	37	4-Φ6.5 circle diameter Φ35
SB110	115	124	54	8-Φ6 circle diameter Φ55
SB150	155	166	71	8-Φ6 circle diameter Φ70.5

Vacuum Pads

TXC

SB

SBF

SBL

SF

SU

SFP

SBP

SXP

AZP

AZPT

AZPR

PA

PC

PF

PJ

PJG

PS

PU

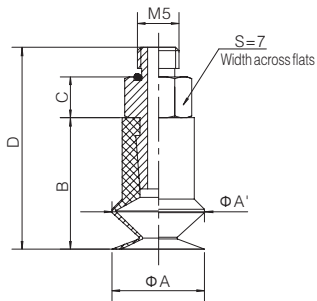
K

Fittings for Vacuum Pads

BH

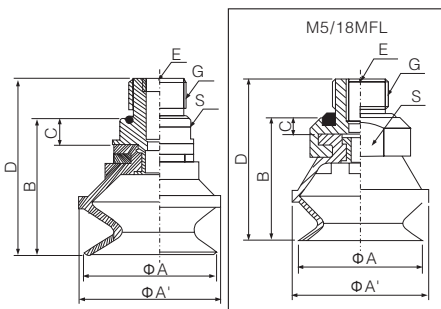
Bulkhead Connector

Ball Joint



Male thread connection(mm)

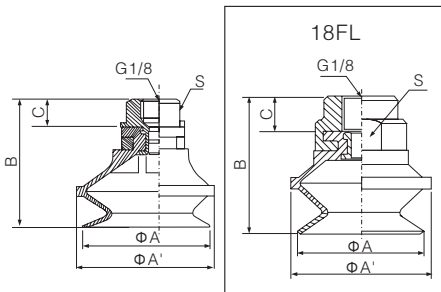
Model	Φ A	Φ A'	B	C	D
SB5-M5	5.6	6.2	9.2	4	16.7
SB8-M5	8.8	9.6	11.9	4	19.4
SB10-M5	11	12	16	5	25
SB12-M5	12	14	16.5	5	25.5
SB15-M5	15.5	17.5	19.5	5	28.5



Male thread connection(mm)

Model	Φ A	Φ A'	B	C	D	E	G	S
SB17-M5/18MF	18.5	16.6	17.1	1.5	23.1	M5	G1/8	S12
SB20-M5/18MF	22	24	20.5	1.5	26.5	M5	G1/8	S12
SB20-M5/18MFL*	22	24	22	3	29	M5	G1/8	S16
SB30-18M	34	36	31	5	38	-	G1/8	S17
SB30-14M	34	36	32	6	41	-	G1/4	S17
SB40-18M	43	46	33	5	40	-	G1/8	S17
SB40-14M	43	46	34	6	43	-	G1/4	S17
SB50-14M	53	58	41	6	50	-	G1/4	S24
SB50-38M	53	58	41	6	51	-	G3/8	S24

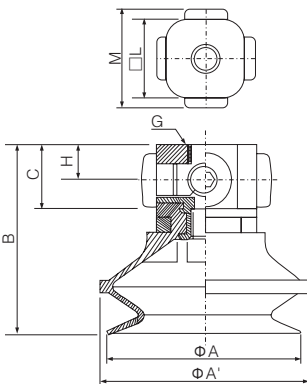
*only for S (Silicone) material



Female thread connection(mm)

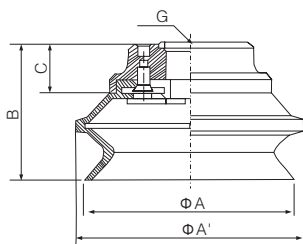
Model	Φ A	Φ A'	B	C	S
SB17-18F	18.5	16.6	23.6	8	S15
SB20-18F	22	24	27	8	S15
SB30-18F	34	36	34	8	S17
SB30-18FL*	34	36	35	9	S21
SB40-18F	43	46	36	8	S17
SB40-18FL*	43	46	37	9	S21
SB50-18F	53	58	44	9	S24

*only for S (Silicone) material



Female thread connection x 5(mm)

Model	Φ A	Φ A'	B	C	G	H	□L	M
SB17-5 x M5F	18.5	16.6	24.6	9	5 x M5	5	15	22
SB20-5 x 5F	22	24	28	9	5 x M5	5	15	22
SB30-5 x 18F	34	36	34	18	5 x G1/8	10	22	30
SB40-5 x 18F	43	46	46	18	5 x G1/8	10	22	30
SB50-5 x 18F	53	58	53	18	5 x G1/8	10	28	36



Female thread connection x 5(mm)

Model	Φ A	Φ A'	B	C	G
SB75-18F	78	83	50	18	G1/8
SB75-14F	78	83	50	18	G1/4
SB75-38F	78	83	50	18	G3/8
SB75-12F	78	83	50	18	G1/2
SB110-12F	115	124	63	15	G1/2
SB150-12F	155	166	78	14	G1/2