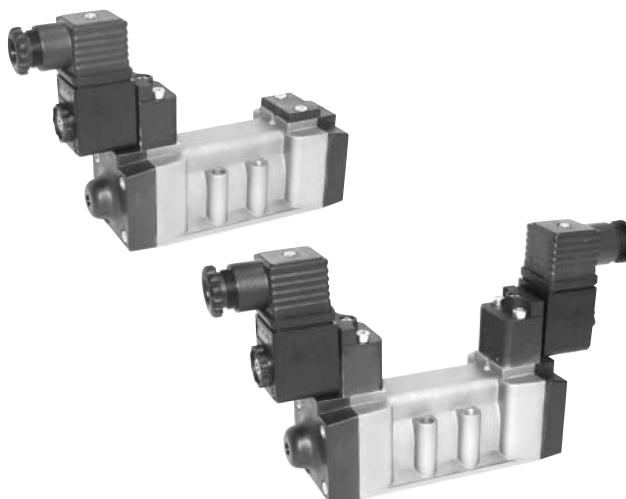


Valves ISO 5599/1

ISO2, 5/2 - 5/3, electrically operated, with CNOMO pilot



Execution			
Version	Symbol	Code	Item
5/2 solenoid/spring		032040	ISO2E50
5/2 solenoid/solenoid		032050	ISO2E51
5/2 solenoid/solenoid differential		032042	ISO2E52
5/3 with closed centres		032051	ISO2E70
5/3 with open centres		032052	ISO2E71
5/3 with pressurised centres		032055	ISO2E72
5/2 solenoid/spring external air pilot		032039	ISO2K50
5/2 solenoid/solenoid external air pilot		032056	ISO2K51
5/2 solenoid/solenoid differential external air pilot		032057	ISO2K52
5/3 with closed centres external air pilot		032058	ISO2K70
5/3 with open centres external air pilot		032059	ISO2K71
5/3 with pressurised centres external air pilot		032062	ISO2K72



Series of spool valves, conforming to ISO 5599/1 standards for the mounting only ON sub-base, with CNOMO pilot.

Coils and connectors are to be ordered separately.

For the coils type ASA12.../ASA2... see page 2.200.1

For the connectors type A122... /A182... see page 2.210.20

For the sub-bases type SBA2... see page 2.137.1

Code key

Series	Size	Actuation	Function
ISO	1	E = electrical K = electrical with external air pilot	50 = 5/2 solenoid/spring
	2		51 = 5/2 solenoid/solenoid
			52 = 5/2 solenoid/solenoid differential
			70 = 5/3 CC
			71 = 5/3 CO
			72 = 5/3 CP



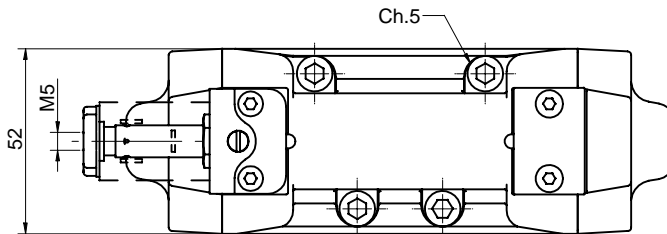
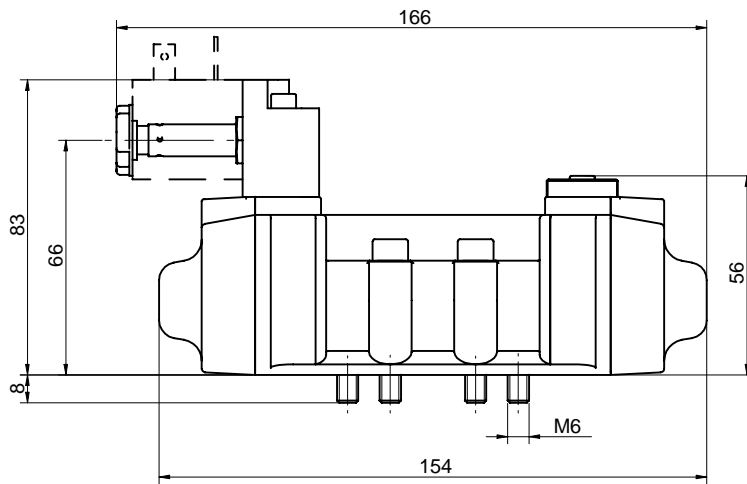
On request, they can be supplied according Directive 94/9/EC - ATEX

CE Ex II 2 GDc T5

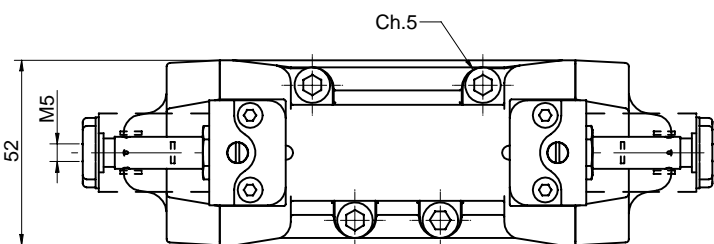
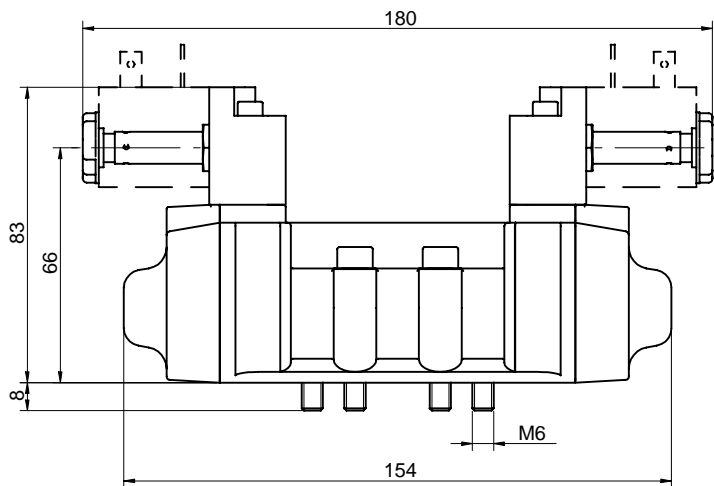
Technical data			
Fluid	Compressed filtered air with or without lubrication. Lubrication, if be used, must be continous.		
Pressure range	0 ÷ 10 bar		
Temperature range	-10°C ÷ +60°C		
Orifice	15 mm		
Flow	2900 NI/min at 6 bar with ΔP 1 bar		
Minimum piloting pressure	Monostable: 2.5 bar	Bistable: 1 bar	3 positions: 2.5 bar
Mounting	In any position		
Electropilot	Conforming to CNOMO		
Manual override	Bistable on solenoid pilot - Monostable on valve body		
Materials	Body:	Aluminium	
	Heads:	Plastic	
	Spool:	Aluminium	
	Distancers:	Aluminium	
	Seals:	NBR	

Valves ISO 5599/1

ISO2, 5/2 - 5/3, electrically operated, with CNOMO pilot



Version	Symbol	Code	Item
5/2 solenoid/spring		032040	ISO2E50
5/2 solenoid/spring external air pilot		032039	ISO2K50



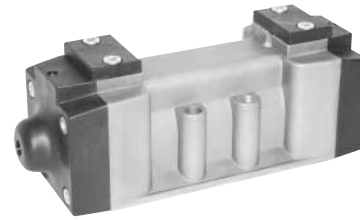
Version	Symbol	Code	Item
5/2 solenoid/solenoid		032050	ISO2E51
5/2 solenoid/solenoid differential		032042	ISO2E52
5/3 with closed centres		032051	ISO2E70
5/3 with open centres		032052	ISO2E71
5/3 with pressurised centres		032055	ISO2E72
5/2 solenoid/solenoid external air pilot		032056	ISO2K51
5/2 solenoid/solenoid differential external air pilot		032057	ISO2K52
5/3 with closed centres external air pilot		032058	ISO2K70
5/3 with open centres external air pilot		032059	ISO2K71
5/3 with pressurised centres external air pilot		032062	ISO2K72

Valves ISO 5599/1

ISO2, 5/2 - 5/3, pneumatically operated



Executions			
Version	Symbol	Code	Item
5/2 solenoid/spring		032005	ISO2P50
5/2 solenoid/solenoid		032011	ISO2P51
5/2 solenoid/solenoid differential		032012	ISO2P52
5/3 with closed centres		032013	ISO2P70
5/3 with open centres		032014	ISO2P71
5/3 with pressurised centres		032038	ISO2P72



Series of spool valves, conforming to ISO 5599/1 standards for the mounting only ON sub-base.
For the sub-bases type SBA2... see page 2.137.1

Code key

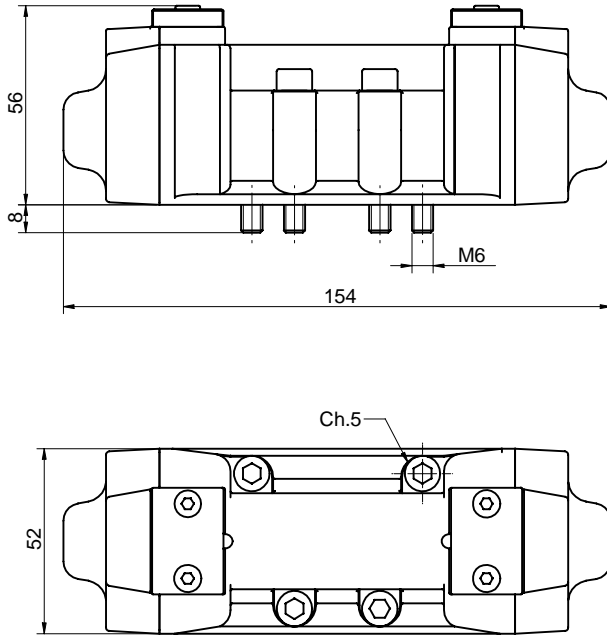
Series	Size	Actuation	Function
ISO	1	P = pneumatic	50 = 5/2 solenoid/spring
	2		51 = 5/2 solenoid/solenoid
			52 = 5/2 solenoid/solenoid differential
			70 = 5/3 CC
			71 = 5/3 CO
			72 = 5/3 CP



On request, they can be supplied according Directive 94/9/EC - ATEX
CE **II 2 G Dc T5**

Technical data			
Fluid	Compressed filtered air with or without lubrication. Lubrication, if be used, must be continous.		
Pressure range	0 ÷ 10 bar		
Temperature range	-10°C ÷ +60°C		
Orifice	15 mm		
Flow	2900 NI/min at 6 bar with ΔP 1 bar		
Minimum piloting pressure	Monostable: 2.5 bar	Bistable: 1 bar	3 positions: 2.5 bar
Mounting	In any position		
Manual override	Monostable on valve body		
Materials	Body:	Aluminium	
	Heads:	Plastic	
	Spool:	Aluminium	
	Distancers:	Aluminium	
	Seals:	NBR	

Valves ISO 5599/1
 ISO2, 5/2 - 5/3, pneumatically operated



Version	Symbol	Code	Item
5/2 solenoid/spring		032005	ISO2P50
5/2 solenoid/solenoid		032011	ISO2P51
5/2 solenoid/solenoid differential		032012	ISO2P52
5/3 with closed centres		032013	ISO2P70
5/3 with open centres		032014	ISO2P71
5/3 with pressurised centres		032038	ISO2P72