

Stainless Steel compression fittings

Series OX, in AISI 316



Version	Type
BSPT stud	OX11
Female BSPT stud	OX13
Union	OX14
Bulkhead	OX15
BSPT elbow	OX16
Equal elbow	OX17
BSPT - compression tee	OX19
Equal tee	OX18
Equal +	OX28
Nut	OX21
Ogive	OX22
Tube insert	OX23



Series of stainless steel AISI 316 TI compression fittings conforming to DIN 2353 standards for metal tubes.

The ogive crushing onto the tube, by screwing down the external nut, allows to get a safe connection and to work even at high pressures.

The ogive is single cone.

This series of fittings can also be used for connecting non-stiff tubes and this by applying a tube insert inside the tube.

Available with threads Gas taper (BSPT) and Gas parallel (BSP).

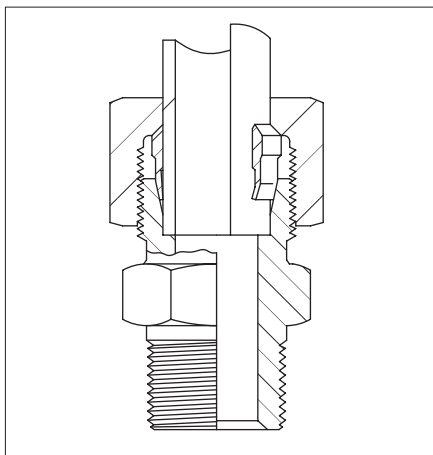
External tube ϕ (mm)	6	8	10	12	14	15	16	18
Code	06	08	10	12	14	15	16	18

Threads	1/8"	1/4"	3/8"	1/2"
Code	18	14	38	12

* How to order: OX110814

OX11	08	14
Type	Tube ϕ code	Tube or thread code

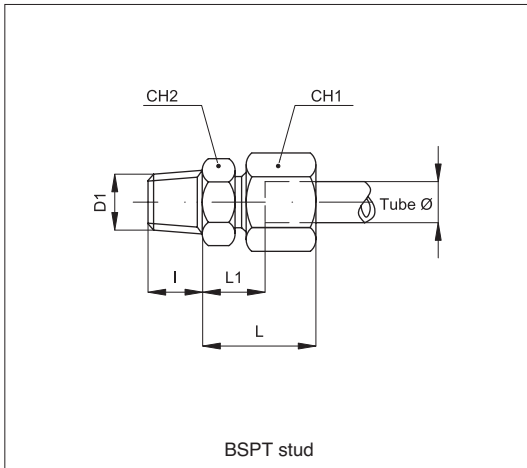
* For standard items, codes and dimensions see tables from page 5.160.2



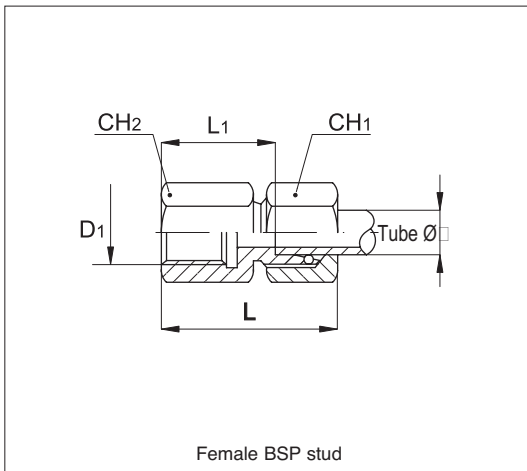
Technical data	
Fluid	Compressed air, aggressive fluids, oil at low pressure
Pressure	Tube from 6 to 15 mm: 250 bar - Tube 16 and 15 mm: 160 bar
Temperature	According to the tube used
Taper threads	UNI - ISO 7 / 1 (BSPT)
Connection tubes	Metal or rilsan, nylon, polyurethane, polyethylene (with insert tube)
Materials	Completely in stainless steel AISI 316 TI

Stainless Steel compression fittings

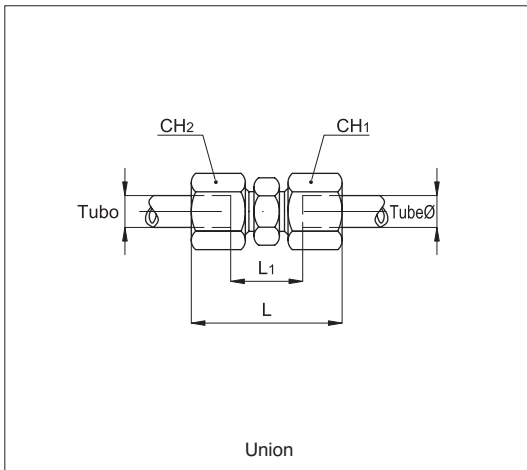
Series OX, in AISI 316



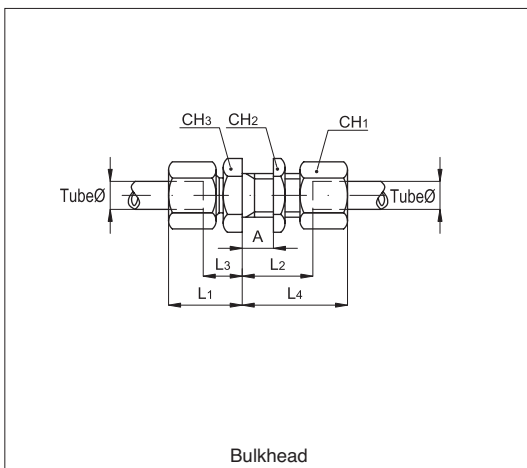
Code	Item	Tube ø	D ₁	L	L ₁	CH ₁	CH ₂	
027031	OX 11 06 18	6	1/8"	10	23	7	14	12
027053	OX 11 08 18	8	1/8"	10	23	8	17	14
027033	OX 11 08 14	8	1/4"	13	25	8	17	17
027034	OX 11 08 38	8	3/8"	13	23	9	17	19
027035	OX 11 08 12	8	1/2"	16	23	11	17	22
027036	OX 11 10 14	10	1/4"	13	26	9	19	17
027037	OX 11 10 38	10	3/8"	13	24	10	19	19
027038	OX 11 10 12	10	1/2"	16	24	11	19	22
027039	OX 11 12 14	12	1/4"	13	25	10	22	19
027040	OX 11 12 38	12	3/8"	13	27	10	22	19
027041	OX 11 12 12	12	1/2"	16	25	10	22	22
027042	OX 11 14 12	14	1/2"	16	29	11	27	24
027043	OX 11 15 12	15	1/2"	16	29	11	27	24
027044	OX 11 16 12	16	1/2"	16	31	11,5	32	27
027045	OX 11 18 12	18	1/2"	16	31	11,5	32	27



Code	Item	Tube ø	D ₁	L	L ₁	CH ₁	CH ₂
027081	OX 13 06 18	6	1/8"	34	19	14	14
027082	OX 13 08 14	8	1/4"	39	24	17	19
027083	OX 13 10 14	10	1/4"	40	25	19	19
027084	OX 13 12 38	12	3/8"	41	26	22	24
027085	OX 13 14 12	14	1/2"	46	31	27	27
027086	OX 13 15 12	15	1/2"	46	31	27	27
027087	OX 13 16 12	16	1/2"	47	30,5	32	27
027088	OX 13 18 12	18	1/2"	47	30,5	32	27



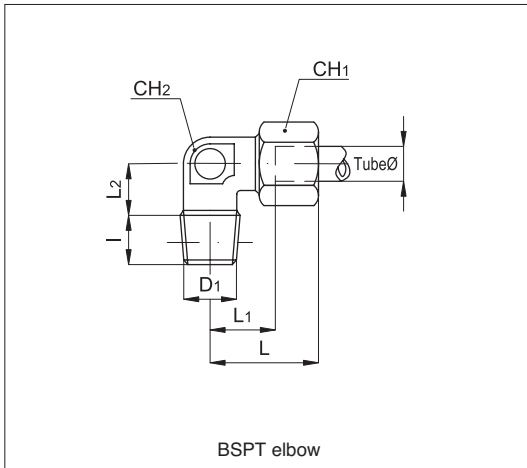
Code	Item	Tube ø	L	L ₁	CH ₁	CH ₂
027001	OX 14 06 06	6	39	10	14	12
027002	OX 14 08 08	8	40	11	17	14
027003	OX 14 10 10	10	42	13	19	17
027004	OX 14 12 12	12	43	14	22	19
027005	OX 14 14 14	14	46	16	27	24
027006	OX 14 15 15	15	46	16	27	24
027007	OX 14 16 16	16	48	16	32	27
027008	OX 14 18 18	18	48	16	32	27



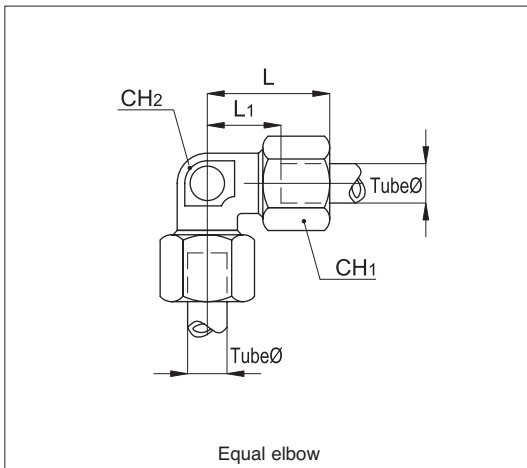
Code	Item	Tube ø	L ₁	L ₂	L ₃	L ₄	CH ₁	CH ₂	CH ₃
027137	OX 15 06 06	6	22	27	7	42	14	17	17
027138	OX 15 08 08	8	23	27	8	42	17	19	19
027139	OX 15 10 10	10	25	28	10,5	43	19	22	22
027140	OX 15 12 12	12	25	29	10	44	22	24	24
027141	OX 15 14 14	14	27	31	12	46	27	30	27
027142	OX 15 15 15	15	27	31	12	46	27	30	27
027143	OX 15 16 16	16	30	32,5	13,5	49	32	36	32
027144	OX 15 18 18	18	30	32,5	13,5	49	32	36	32

Stainless Steel compression fittings

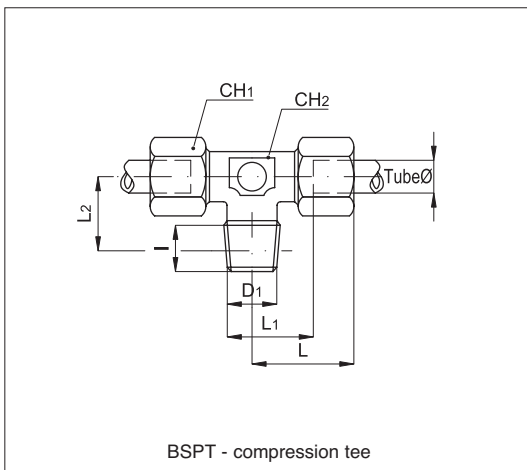
Series OX, in AISI 316



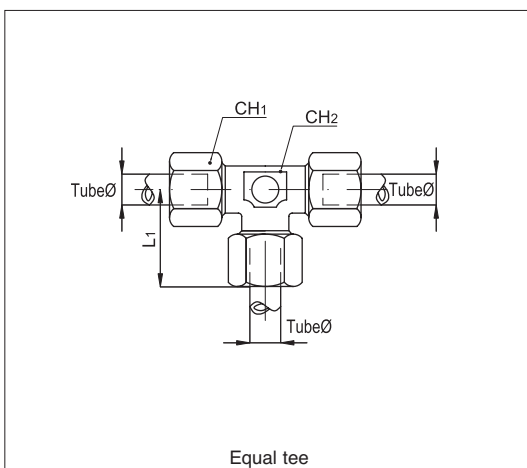
Code	Item	Tube ø	D ₁	I	L	L ₁	L ₂	CH ₁	CH ₂
027091	OX 16 06 18	6	1/8"	8	27	12	15	14	12
027092	OX 16 06 14	6	1/4"	12	27	15,5	15	14	12
027093	OX 16 08 18	8	1/8"	12	29	15,5	18	17	12
027094	OX 16 08 14	8	1/4"	12	29	14	18	17	12
027095	OX 16 08 38	8	3/8"	12	29	17,5	18	17	17
027096	OX 16 10 14	10	1/4"	12	30	15	19	19	14
027097	OX 16 10 38	10	3/8"	12	30	17	19	19	17
027099	OX 16 12 14	12	1/4"	12	32	17	20	22	17
027100	OX 16 12 38	12	3/8"	12	32	17	20	22	17
027101	OX 16 12 12	12	1/2"	14	32	20	20	22	19
027102	OX 16 14 12	14	1/2"	14	36	21	24	27	19
027103	OX 16 15 12	15	1/2"	14	36	21	24	27	19
027104	OX 16 16 12	16	1/2"	14	40	23	26	32	24
027105	OX 16 18 12	18	1/2"	14	40	23	26	32	24



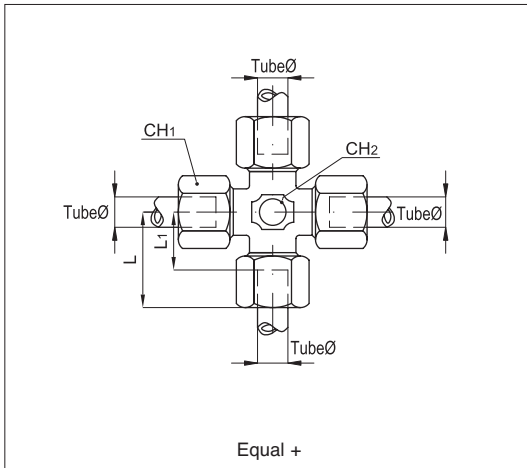
Code	Item	Tube ø	L	L ₁	CH ₁	CH ₂
027061	OX 17 06 06	6	27	12	14	12
027062	OX 17 08 08	8	29	14	17	12
027063	OX 17 10 10	10	30	15	19	14
027064	OX 17 12 12	12	32	17	22	17
027065	OX 17 14 14	14	36	21	27	19
027066	OX 17 15 15	15	36	21	27	19
027067	OX 17 16 16	16	40	23,5	32	24
027068	OX 17 18 18	18	40	23,5	32	24



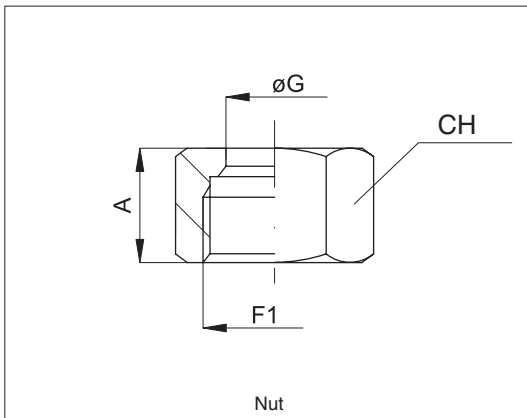
Code	Item	Tube ø	D ₁	I	L	L ₁	L ₂	CH ₁	CH ₂
027151	OX 19 06 18	6	1/8"	8	27	12	15	14	12
027153	OX 19 08 14	8	1/4"	12	29	14	18	17	12
027156	OX 19 12 38	12	3/8"	12	32	17	20	22	17
027157	OX 19 14 12	14	1/2"	14	36	21	24	27	19
027158	OX 19 15 12	15	1/2"	14	36	21	24	27	19
027159	OX 19 16 12	16	1/2"	14	40	23,5	26,5	32	24
027160	OX 19 18 12	18	1/2"	14	40	23,5	26,5	32	24



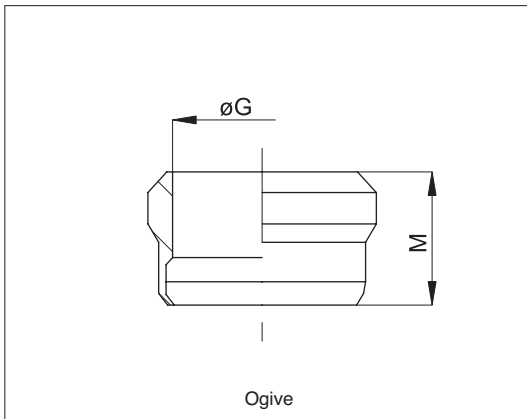
Code	Item	Tube ø	L	L ₁	CH ₁	CH ₂
027121	OX 18 06 06	6	27	12	14	12
027122	OX 18 08 08	8	29	14	17	12
027123	OX 18 10 10	10	30	15	19	14
027124	OX 18 12 12	12	32	17	22	17
027125	OX 18 14 14	14	36	21	27	19
027126	OX 18 15 15	15	36	21	27	19
027127	OX 18 16 16	16	40	23,5	32	24
027128	OX 18 18 18	18	40	23,5	32	24



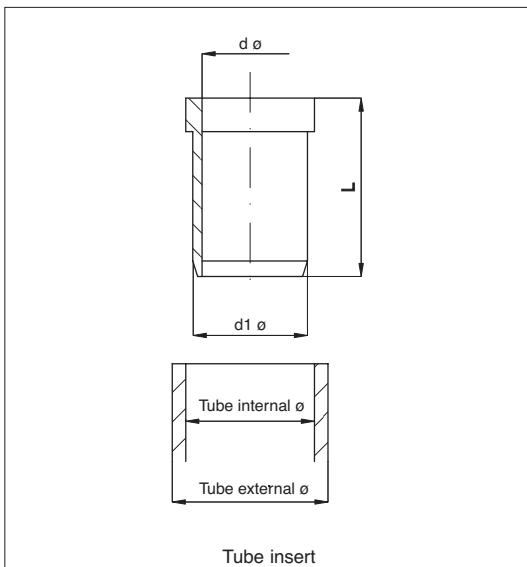
Code	Item	Tube ø	L	L ₁	CH ₁	CH ₂
027211	OX 28 06 06	6	27	12	14	12
027212	OX 28 08 08	8	29	14	17	12
027213	OX 28 10 10	10	30	15	19	14
027214	OX 28 12 12	12	32	17	22	17
027215	OX 28 14 14	14	36	21	27	19
027216	OX 28 15 15	15	36	21	27	19
027217	OX 28 16 16	16	40	23,5	32	24
027218	OX 28 18 18	18	40	23,5	32	24



Code	Item	Tube ø	F ₁	A	CH	ø G
027241	OX 21 06 06	6	12x1,5	14,5	14	6
027242	OX 21 08 08	8	14x1,5	14,5	17	8
027243	OX 21 10 10	10	16x1,5	15,5	19	10
027244	OX 21 12 12	12	18x1,5	15,5	22	12
027245	OX 21 14 14	14	22x1,5	17	27	15
027246	OX 21 15 15	15	22x1,5	17	27	15
027247	OX 21 16 16	16	26x1,5	18	32	18
027248	OX 21 18 18	18	26x1,5	18	32	18



Code	Item	Tube ø	ø G	M
027271	OX 22 06 06	6	6	9,5
027272	OX 22 08 08	8	8	9,5
027273	OX 22 10 10	10	10	10
027274	OX 22 12 12	12	12	10
027275	OX 22 14 14	14	14	10
027276	OX 22 15 15	15	15	10
027277	OX 22 16 16	16	16	9,5
027278	OX 22 18 18	18	18	9,5



Code	Item	Tube ø extern. x thickness	Tube intern. ø	ø d	ø d ₁	L
027293	OX 23 06 06	6x1	4	2,6	3,8	15,5
027290	OX 23 08 08	8x1	6	4,6	5,8	15,5
027291	OX 23 10 10	10x1	8	6,6	7,8	16,5
027292	OX 23 12 12	12x1	10	8,6	9,8	16,5
027294	OX 23 14 14	14x1	13	11,2	12,8	17
027295	OX 23 15 15	15x1,5	12	10,2	11,8	17
027296	OX 23 16 16	16x1	16	14,2	15,8	17,5
027297	OX 23 18 18	18x1,5	15	13,2	14,8	17,5