

### Features

The AH combined type vacuum pump can produce very high vacuum level, meanwhile maintaining good flow rates for quick evacuation time. The vacuum gauge, air pressure gauge, 1"silencer and mounting bracket are also supplied together with the pump.



### Specifications

Max.vacuum level	-kPa	100.5
Max.vacuum flow	l/min	2040
Air supply pressure	bar	3.4~6 Max.7
Temperature range	°C	-20~80
Weight	g	3892~6447
Noise level	dBA	60~65

### Technical Parameters

Model	Max.vacuum level (-kPa)	Max.vacuum flow (l/min)	Air consumption (l/min)	Weight g	Min tube inner Φ (within 2m)		
					Air supply	Vacuum	EXhaust
AH240M	100.5	1050	960	3892	> 10	> 20	> 20
AH480M	100.5	2040	1860	6447	> 12	> 25	> 30

### How to Order

**AH240M P – N – A**

① ② ③ ④

#### ① Model

AH240M
AH480M

#### ② Exhaust specification

Nil	Standard
P	Side exhaust

#### ③ Sealing

N	NBR
E	EPDM
V	VITON

#### ④ Non-Return Valve

A	Yes
-	No

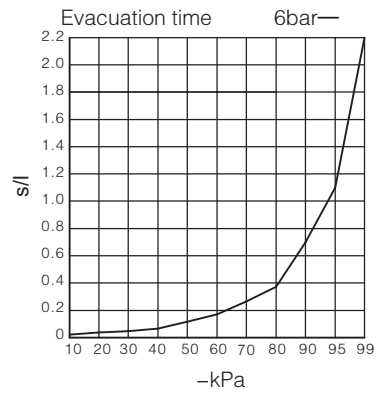
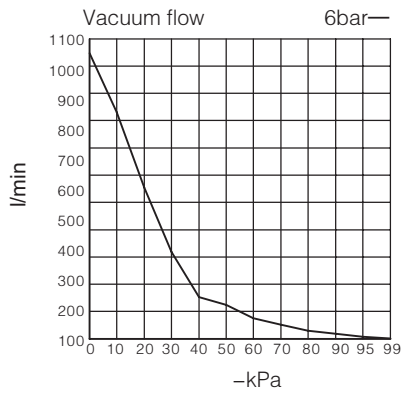
### Vacuum flow(l/min)at different vacuum levels(-kPa)

Model	Air supply pressure bar	Air consumption l/min	Vacuum flow (l/min) at different vacuum levels(-kPa)												Max.vacuum level -kPa
			0	10	20	30	40	50	60	70	80	90	95	99	
AH240M	6	960	1050	820	560	310	155	125	85	70	39	20	8	1.3	100.5
AH480M		1860	2040	1600	1150	690	345	270	210	120	110	19	15	2.5	100.5

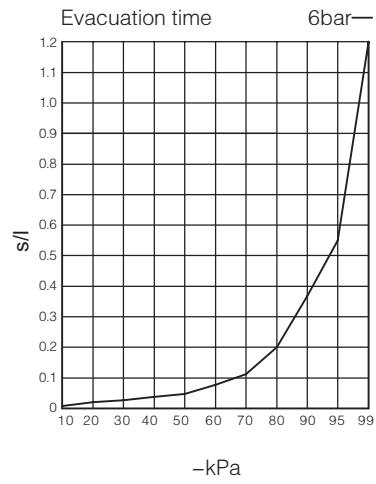
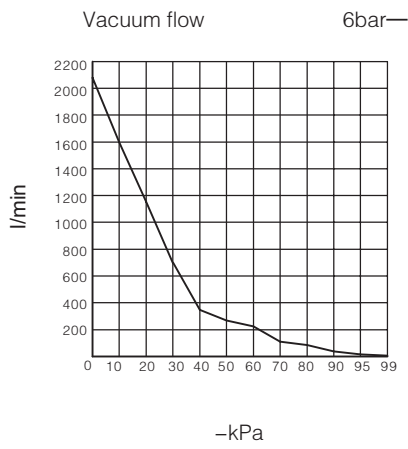
### Evacuation time(s/l)to reach different vacuum levels(-kPa)

Model	Air supply pressure bar	Air consumption l/min	Evacuation time (s/l) to reach different vacuum levels(-kPa)												Max.vacuum level -kPa
			10	20	30	40	50	60	70	80	90	95	99		
AH240M	6	960	0.006	0.014	0.03	0.06	0.11	0.17	0.25	0.38	0.7	1.1	2.2	100.5	
AH480M		1860	0.004	0.01	0.02	0.03	0.05	0.08	0.13	0.2	0.37	0.55	1.2	100.5	

• AH240M

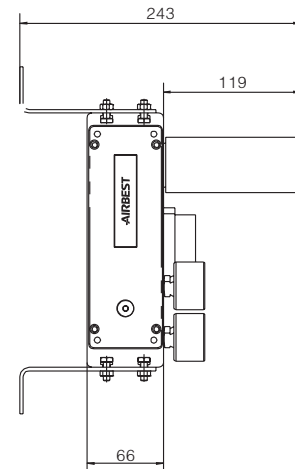
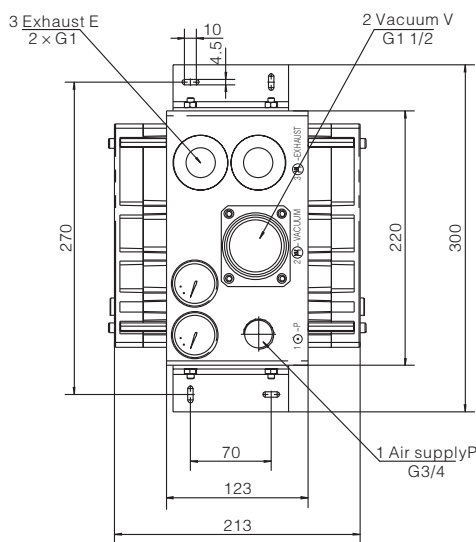


• AH480M

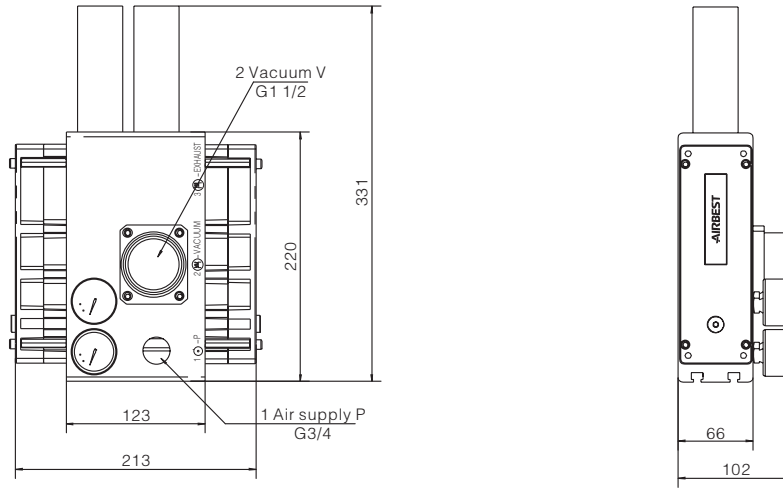


### Dimensions (mm)

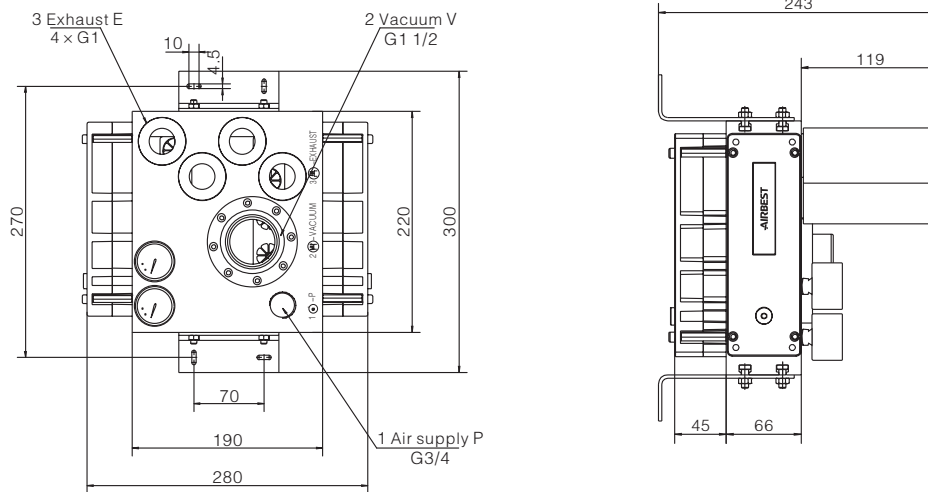
• AH240M



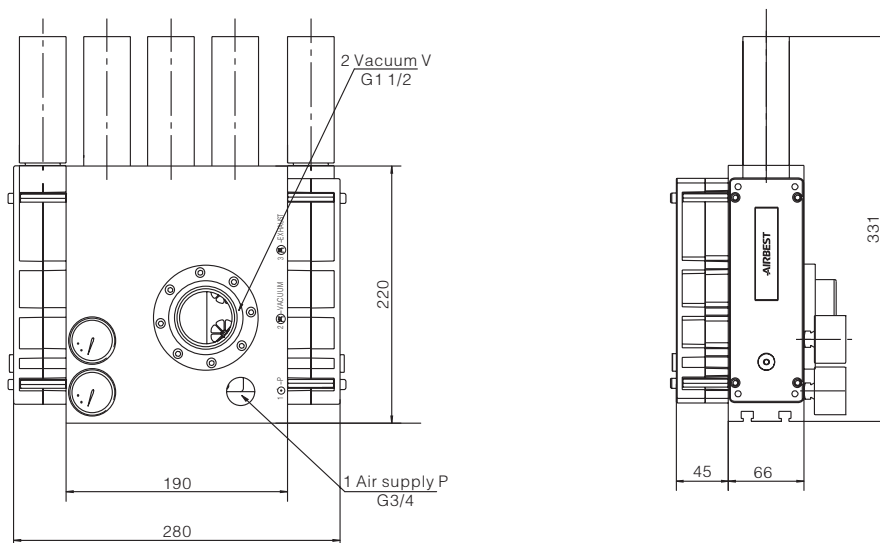
• AH240MP



• AH480M



• AH480MP



ABM

ABX

ABM/ABX  
Combined type

AM

AL

AH

AM  
Combined type

AL  
Combined type

AH  
Combined type

AZL112

AZL212

ACP

ACPF

ACV

AZH

AZU

ASBP