



Features

- ☆ Standard flat vacuum pad.
- ☆ Suitable for concave and convex objects.
- ☆ Suitable for flat and smooth surface objects.
- ☆ Suitable for a little bending objects.

Applications

- ◇ Steel plate
- ◇ paper box packaging
- ◇ Small semiconductor material

How to Order

SU30 N 18M – EH – KI1810–A16 – BH–G1/8

① Model		② Material (Shore hardness)		③ Connection thread			
SU1.5X	φ1.5	SU10	φ10	N	NBR(55°)	M2.5–M	M2.5 Male thread (SU2,SU3)
SU2	φ2	SU15	φ15	S	Silicone(50°)	M5–M	M5 Male thread (SU2,SU3,SU4,SU6,SU8,SU10,SU15)
SU2X	φ2	SU20	φ20	WS	White silicone(50°)	18–M	G1/8 Male thread (SU40)
SU3	φ3	SU25	φ25	CS	Conductive(Special mat'l)(50°)	14–M	G1/4 Male thread (SU40,SU50)
SU4	φ4	SU30	φ30			38–M	G3/8 Male thread (SU50)
SU4X	φ4	SU40	φ40			M5/18–MF	M5 Female thread and G1/8 Male thread (SU20,SU25,SU30)
SU6	φ6	SU50	φ50			M5/18–MFI*	M5 Female thread and G1/8 Male thread (SU20,SU25,SU30)
SU8	φ8	SU80	φ80			5xM5F	5 × M5 Female thread (SU20,SU25,SU30)
						18–F	G1/8 Female thread (SU30,SU40,SU50,SU80)
						5x18F	5 × G1/8 Female thread (SU40,SU50)
						8	φ8 Inner hole (SU80)
						18–FA*	G1/8 Female thread (SU40)

④ Cone Valve	
EH	Vacuum efficiency valve (SU20,SU25,SU30,SU40,SU50)
-	No

Accessories

KI1810–A14 BH–G1/8

*Refer to the fittings for vacuum pads on page166–169.
Remark:SU40 SU50 fittings are including mesh filter.
Only for silicone material.

⑤ Spring plunger		⑥ Ball Joint	
Model	Buffer stroke(mm)		
KE510–A12, KE510–Y–A12	10	-	
KE520–A12, KE20–Y–A12	20		
KI506–R–A8, KI506–B–A8, KI506–E–A8, KI506–S–A8	06		
KI510–R–A8, KI510–B–A8, KI510–E–A8, KI510–S–A8	10		
KI525–R–A8, KI525–B–A8, KI525–E–A8, KI525–S–A8	25		
KI507–V–A10	7		
KI515–V–A10	15		
KI520–V–A10	20		
KE1810–A16, KE1810–L–A14, KE1810–V–A16	10		BH–G1/8
KE1820–A16, KE1820–L–A14, KE1820–V–A16	20		
KE1830–A16, KE1830–L–A14, KE1830–V–A16	30		
KE1850–A16, KE1850–L–A14, KE1850–V–A16*	50		
KI1810–A16, KI1810–L–A16, KI1810–V–A16	10		
KI1820, KI1820–L–A16, KI1820–V–A16*	20		
KI1830–A16, KI1830–L–A16, KI1830–V–A16	30		
KI1850–A16, KI1850–L–A16, KI1850–V–A16*	50		

*Not available with ball joint.

Recommended(Max.)lifting force(N)

Model	Volume cm ³	Vertical lifting force(N)			Parallel lifting force(N)		
		-20kPa	-60kPa	-90kPa	-20kPa	-60kPa	-90kPa
SU1.5X	0.0015	0.0077	0.029	0.04	-	-	-
SU2	0.0025	0.03	0.97	0.148	-	-	-
SU2X	0.0025	0.03	0.97	0.148	-	-	-
SU3	0.005	0.089	0.395	0.59	-	-	-
SU4	0.03	0.198	0.885	1.275	0.198	0.78	1
SU4X	0.03	0.198	0.885	1.275	0.198	0.78	1
SU6	0.05	0.5	1.68	2.5	0.295	1.48	1.98
SU8	0.1	1	2.55	3.8	1	2.85	3.35
SU10	0.18	1.48	4.4	6.85	1.5	4.4	4.9
SU15	0.5	3.2	8.5	11.5	3.5	5.4	5.9
SU20	1	5.9	12.2	16	5.9	8.8	9.8
SU25	1.5	9	20.2	19.5	6.88	9.2	10.2
SU30	2	13	25	33	7.8	9.8	11
SU40	5.5	20	37.5	60	13.8	22	27.5
SU50	12	35.5	74	95	20	37	44
SU80	32	76	194	247	44	124.5	166

Dimensions (mm)

▼ SU1.5X~ SU4X

Model	φA	B
SU1.5X	1.9	12
SU2X	2.6	12
SU4X	4.6	12

▼ SU2~ SU15

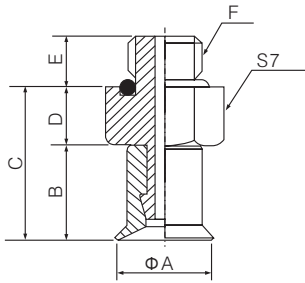
Model	φA	B
SU2	2.6	3.5
SU3	3.8	4.5
SU4	5	6.1
SU6	7	6.5
SU8	9	7

▼ SU20~ SU50

Model	φA	B
SU10	11	10.5
SU15	16.5	11
SU20	22	8
SU25	27	9
SU30	32	9.5
SU40	42	13
SU50	53	17.5

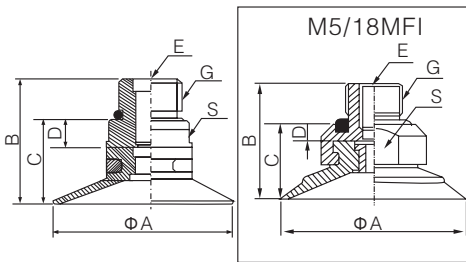
Vacuum Pads

- TXC
- SB
- SBF
- SBL
- SF
- SU
- SFP
- SBP
- SXP
- AZP
- AZPT
- AZPR
- PA
- PC
- PF
- PJ
- PJG
- PS
- PU
- K
- Fittings for Vacuum Pads
- BH
- Bulkhead Connector
- Ball Joint



Male thread connection(mm)

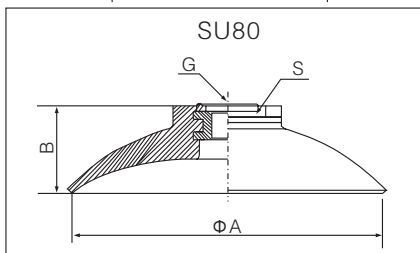
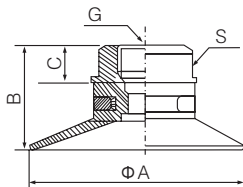
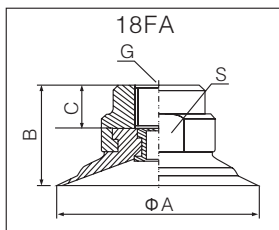
Model	ΦA	B	C	D	E	F
SU2-M2.5M/M5M	2.6	3.5	6/8.1	2.5/4.6	3/4.2	M2.5/M5
SU3-M2.5M/M5M	3.8	4.5	7/9.1	2.4/4.6	3/4.2	M2.5/M5
SU4-M5M	5	6.1	10.1	4	3.5	M5
SU6-M5M	7	6.5	10.5	4	3.5	M5
SU8-M5M	9	7	11	4	3.5	M5
SU10-M5M	11	10.5	15.5	5	3.5	M5
SU15-M5M	16.5	11.5	16	5	3.5	M5



Female thread connection(mm)

Model	ΦA	B	C	D	E	G	S
SU20-M5/18MF	22	15.5	9.5	1.5	M5	G1/8	S12
SU20-M5/18MFI*	22	18	11	3	M5	G1/8	S16
SU25-M5/18MF	27	16.5	10.5	1.5	M5	G1/8	S12
SU25-M5/18MFI*	27	19	12	3	M5	G1/8	S16
SU30-M5/18M	32	17	11	1.5	M5	G1/8	S12
SU30-M5/18MFI*	32	16.5	12.5	3	M5	G1/8	S16
SU40-18M	42	25	18	5	-	G1/8	S17
SU40-14M	42	28	19	6	-	G1/4	S17
SU50-14M	53	32.5	23.5	6	-	G1/4	S24
SU50-38M	53	33.5	23.5	6	-	G3/8	S24

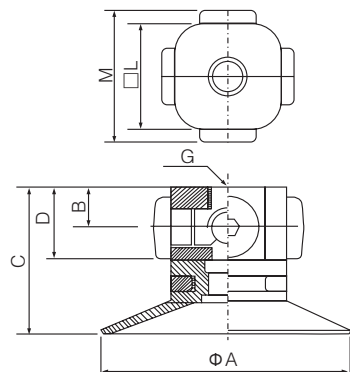
*only for S (Silicone) material



Female thread connection(mm)

Model	ΦA	B	C	G	S
SU20-18F	22	16	8	G1/8	S15
SU25-18F	27	17	8	G1/8	S15
SU30-18F	32	17.5	8	G1/8	S15
SU40-18F	42	21	8	G1/8	S17
SU40-18FA*	42	22	9	G1/8	S21
SU50-18F	53	26.5	9	G1/8	S24
SU80-18F	78	21.5	-	G1/8	S19
SU80-8	78	21.5	-	Φ8	S19

*only for S (Silicone) material



Female thread connection x5(mm)

Model	ΦA	B	C	D	G	□L	M
SU20-5 × M5F	22	5	17	9	5 × M5	15	22
SU25-5 × M5F	27	5	18	9	5 × M5	15	22
SU30-5 × M5F	32	5	18.5	9	5 × M5	15	22
SU40-5 × 18F	42	10	31	18	5 × G1/8	22	30
SU50-5 × 18F	53	10	35.5	18	5 × G1/8	28	36