

Specifications

Model	AZFC100-04B	AZFC100-06B	AZFC200-06B	AZFC200-08B
Applicable tube O.D.	Φ4	Φ6	Φ6	Φ8
Flow l/min	10	20	30	50
Fluid	Air, Nitrogen			
Operating pressure	-100~0kPa			
Filtration degree	10 μm			
Operating and ambient temperature range	0~60°C(with no freezing)			
Element differential pressure resistance	1.5bar			
Applicable tubing material	Nylon, Soft nylon, polyurethane, Soft polyurethane			
Filter element(spare parts)	FC-100		FC-200	



Features

- ☆ Compact and low weight design
- ☆ One-touch quick fitting and convenient assembly
- ☆ Filter element is replaceable
- ☆ Adopt easy assembled and disassemble structure filter element can be replaced without tools
- ☆ Straight through type, inlet and outlet are in the same line, it is easy to assemble
- ☆ Standard type is with bracket

How to Order

AZFC 100 - 04 B

① ② ③

① Recommend flow rate

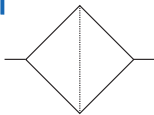
100	Max.20l/min
200	Max.50l/min

② IN OUT Applicable tube O.D

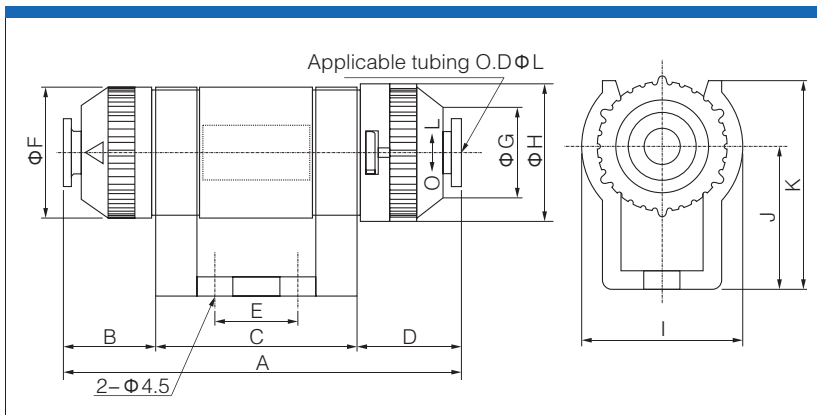
Symbol	Tube O.D	Applicable model
04	Φ04	AZFC100
06	Φ06	AZFC100 AZFC200
08	Φ08	AZFC200

③ With bracket

Symbol

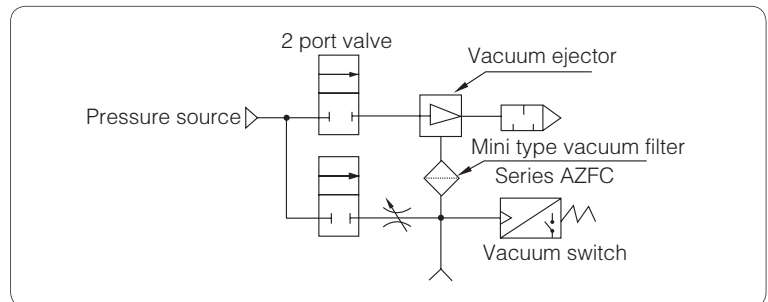


Dimensions (mm)

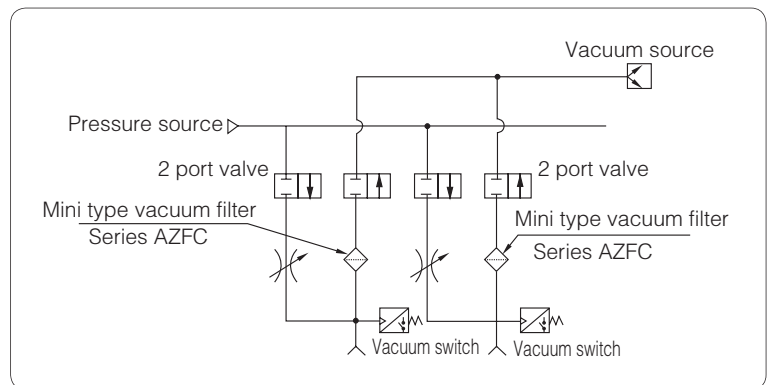


Application Example

- Vacuum ejector system application



- Vacuum pump system application



Model	AZFC-100-04B	AZFC-100-06B	AZFC-200-06B	AZFC-200-08B
A	53.2	53.2	67	67
B	9.1	9.1	15.5	15.5
C	30	30	34	34
D	14.1	14.1	17.5	17.5
E	10	10	14	14
F	18	18	22	22
G	11.6	11.6	15.6	15.6
H	19.5	19.5	23.1	23.1
I	23	23	27	27
J	20	20	24	24
K	29	29	35	35
L	4	6	6	8