



**4 to 16 bar**  
operating pressure

**1,5 to 50 °C**  
inlet air temperature range

**-40 °C (-25 °C / -70 °C)**  
pressure dew points

**6 to 200 Nm<sup>3</sup>/h**  
flow rate

**RAL 5012**  
standard / optional colour

**15-20 %**  
avg. comp. air consumption

## DESCRIPTION

A-DRY 6-200 desiccant adsorption dryer has been designed to separate water moisture from compressed air thus reducing the dew point in the system. A-DRY is a range of products offering our customers a wide array of dried air solutions with volumetric flow rates ranging from 6 Nm<sup>3</sup>/h to 200 Nm<sup>3</sup>/h.

An innovative design of A-DRY adsorption driers, developed with consideration of our customers, enables fast and reliable installation, use and servicing. Installation is simple with our ready to use controller while minimising the number of parts and motions required for assembly and disassembly makes servicing fast and reliable.

## APPLICATIONS

- Compressed air systems

# A-DRY SERIES

## HEATLESS REGENERATION ADSORPTION COMPRESSED AIR DRYERS



## ADVANTAGES

- ✓ Wide range of products to fit your need.
- ✓ Robust and intuitive ready to use controller.
- ✓ Simple assembly and disassembly.
- ✓ Fast and reliable servicing.
- ✓ Adsorbent in cartridges.
- ✓ Standard version includes coalescing prefilter and particle afterfilter.

### Wall mounted version

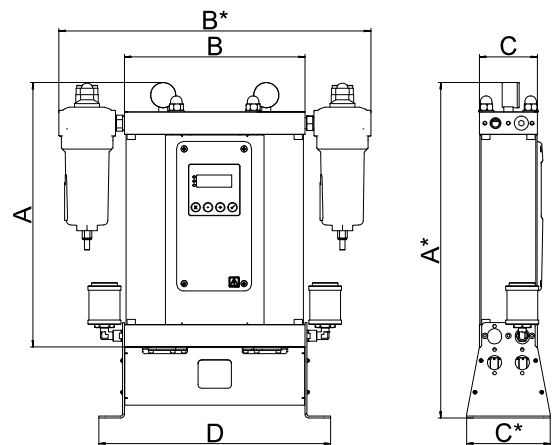
Convenient brackets allow the dryer to be firmly mounted on the floor as well as on the wall. Wall mounting is possible simply by rotating the bracket by angle of 90°.



**TECHNICAL DATA**

Type	Connection IN/OUT	Nominal volume flow		Dimensions							Mass kg
		Inlet <sup>1</sup>	Outlet <sup>2</sup>	A [mm]	A* [mm]	B [mm]	B* [mm]	C [mm]	C* [mm]	D [mm]	
	"	[Nm <sup>3</sup> /h]	[Nm <sup>3</sup> /h]								
<b>A-DRY 06</b>	G3/8"	6	4,7	339	520	280	480	100	130	354	10,5
<b>A-DRY 12</b>	G3/8"	12	9,5	573	715	280	480	100	130	354	13,5
<b>A-DRY 24</b>	G3/8"	24	19,0	1041	1105	280	480	100	130	354	19,0
<b>A-DRY 36</b>	G3/8"	36	28,4	1509	1495	280	480	100	130	354	27,5
<b>A-DRY 60</b>	G3/4"	60	47,4	972	1105	370	570	148	170	434	45,0
<b>A-DRY 75</b>	G3/4"	75	59,3	1167	1300	370	570	148	170	434	53,0
<b>A-DRY 105</b>	G3/4"	117	83	1567	1700	370	570	148	170	434	70,0
<b>A-DRY 150</b>	G1"	150	118	1345	1440	440	725	198	240	570	170,5
<b>A-DRY 200</b>	G1"	200	158	1538	1655	440	725	198	240	570	182,2

Operating pressure range	4 to 16 bar(g)
Operating temperature range	+1,5 °C to +50 °C
Pressure dew points	-25 °C / -40 °C / -70 °C
Voltage, frequency	230V, 50/60 Hz
Power consumption	<35 W
Protection class	IP 65
Filter (inlet)*	super fine; 0,01 µm
Filter (outlet)	dust filter; 1 µm



<sup>(1)</sup> Refers to 1 bar(a) and 20 °C at 7 bar operating pressure, inlet temperature 35 °C and pressure dew point at outlet -40 °C.

<sup>(2)</sup> Outlet flow refers to typical assumption during regeneration phase for operating at nominal inlet flow conditions. Outlet flow includes average air losses of approximately 17,3 %.

\* If dryer is supplied without inlet filter compressed air class 1 (ISO 8753-1) for solid particles and oil should be provided to the inlet of the dryer.

CORRECTION FACTORS - F1													
Operating pressure [bar]	4	5	6	7	8	9	10	11	12	13	14	15	16
Operating pressure [psi]	58	72	87	100	115	130	145	160	174	189	203	218	232
Correction factor	0,63	0,75	0,88	1	1,13	1,25	1,38	1,50	1,63	1,75	1,88	2,00	2,13

CORRECTION FACTORS - F2							DEW POINT			
Inlet temperature [°C]	25	30	35	40	45	50	[°C]	-25	-40	-70
Correction factor	1,00	1,00	1,00	0,97	0,87	0,80	C <sub>p</sub>	1,1	1	0,7