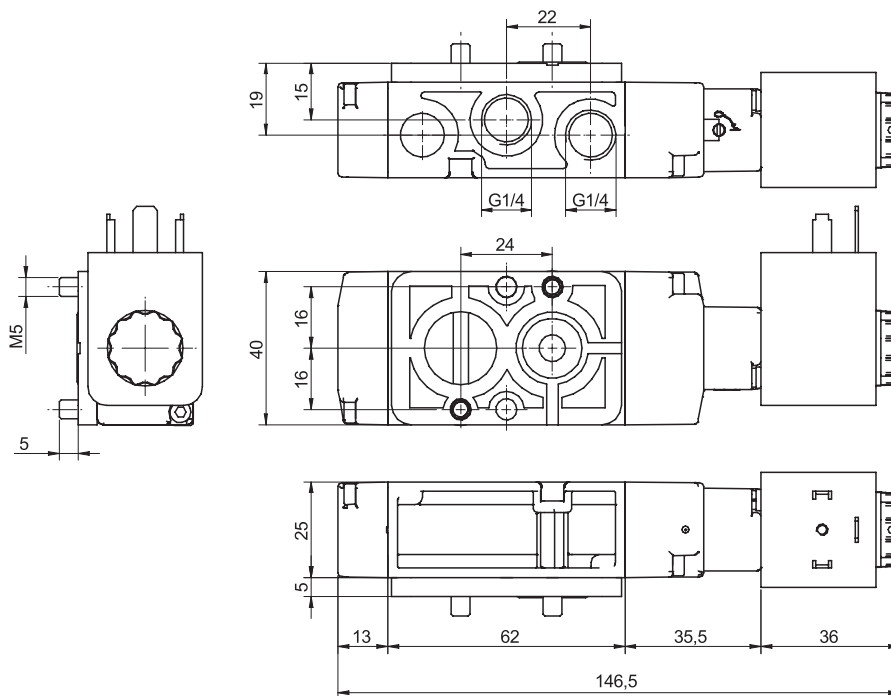
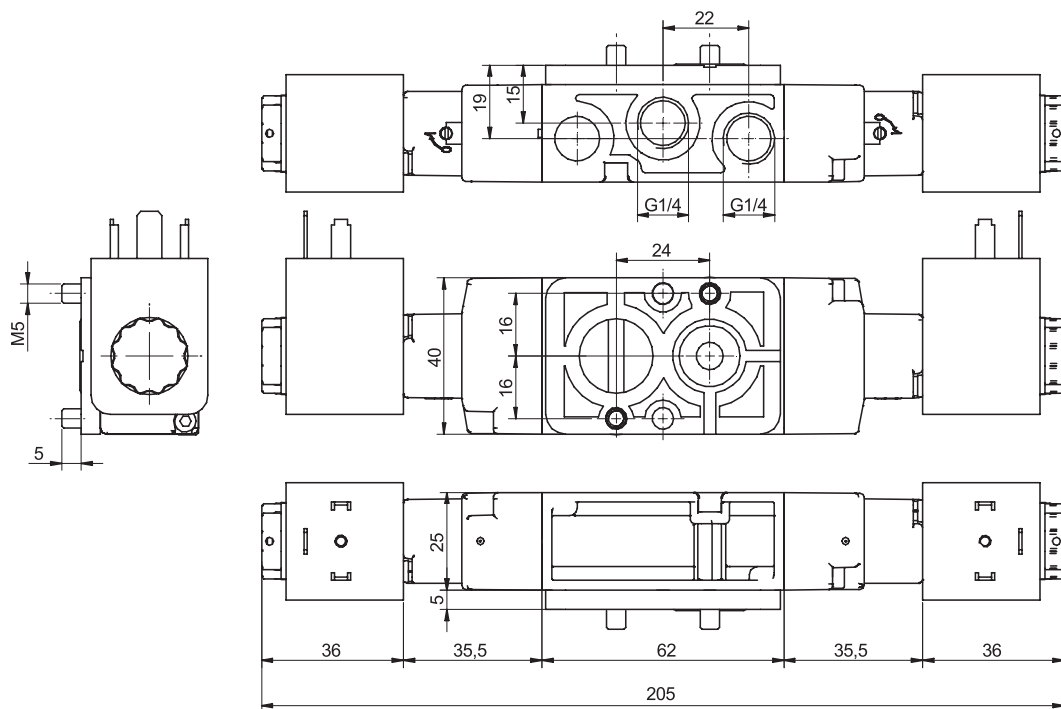


Valves series A1N - Intrinsic safety Ex ia  
 1/4", 3/2 - 5/2, NAMUR interface, electrically operated Ex ia



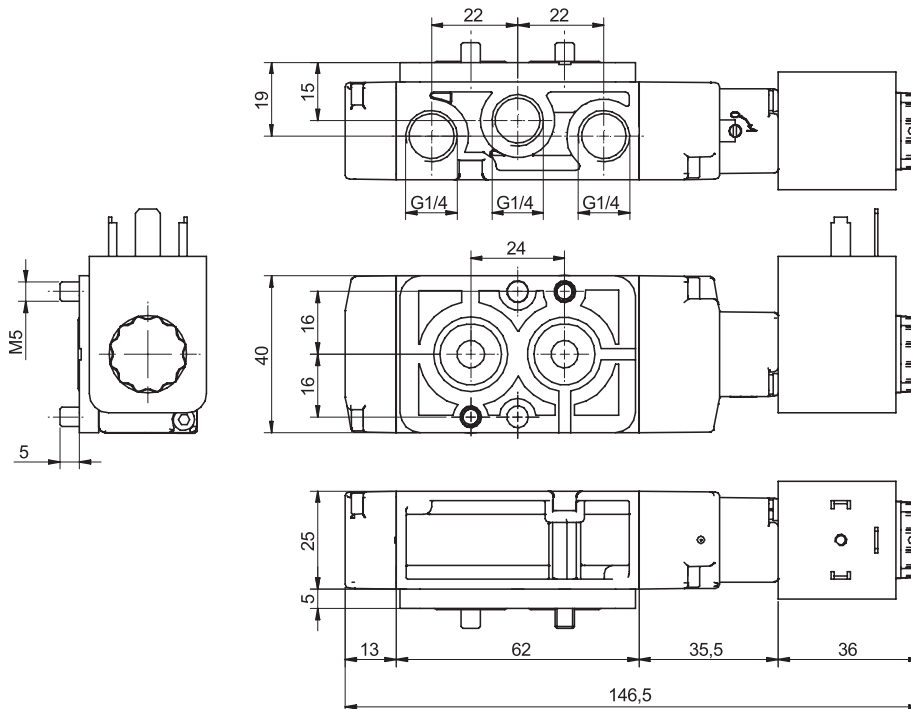
Version	Symbol	Code	Item
3/2 NC			A1NE230XA*

\* For coil voltage: see code key at page 2.88.40



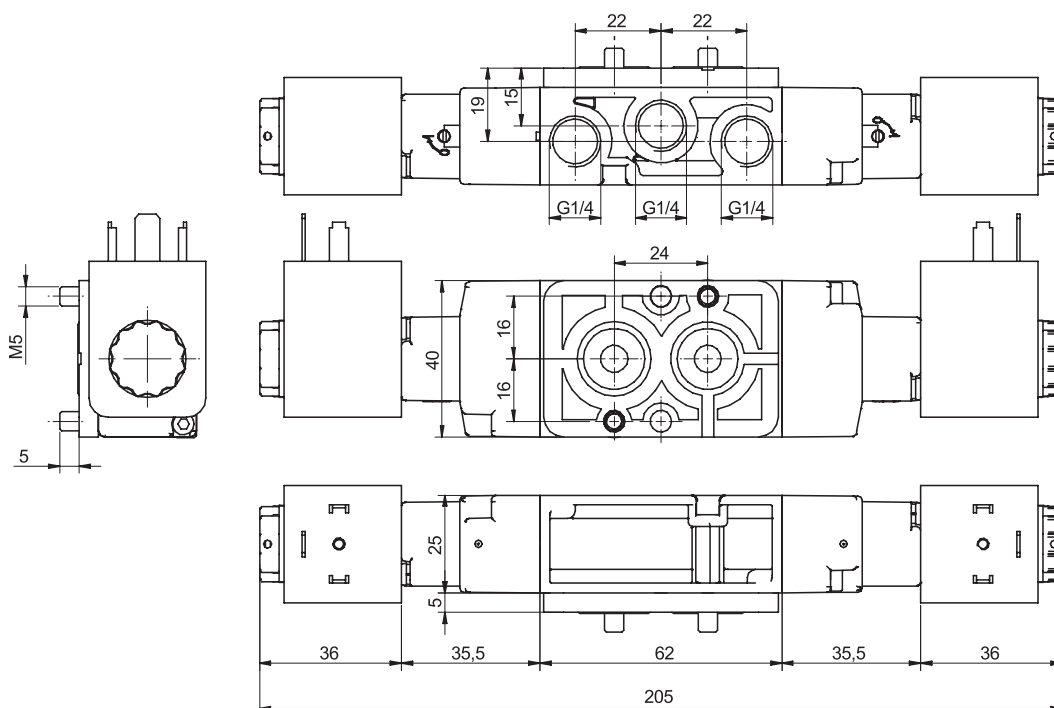
Version	Symbol	Code	Item
3/2 solenoid/solenoid			A1NE232XA*

\* For coil voltage: see code key at page 2.88.40



Version	Symbol	Code	Item
5/2 solenoid/spring			A1NE250XA*

\* For coil voltage: see code key at page 2.88.40



Version	Symbol	Code	Item
5/2 solenoid/solenoid			A1NE251XA*

\* For coil voltage: see code key at page 2.88.40

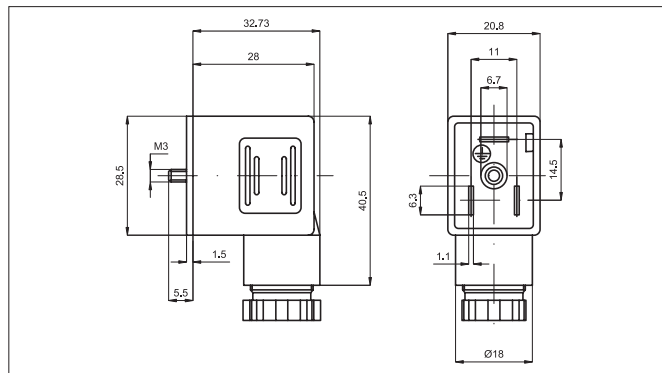
## Type A12209N/ATEX

Connector ATEX version full fit the requirements of the ATEX directive 2014/34/EU, class II, Category 2G – 2D.

The ATEX connectors feature a special central fixing screw, which can only be opened with a special tool and pictograms on the connectors for not unmating the connector under voltage and the ATEX logo.

Outer dimension according to EN 175301-803 (formed DIN 43 650).

Standard executions		
Version	Code	Item
Standard, ATEX	032118X	A12209N/ATEX



**II 2G IIC T6 Gb**  
**II 2D Ex tb IIIC T85°C IP65/IP67**

Supplied according to 2014/34/EU - ATEX



Technical data	
Contact distance	11 mm
Rated voltage	230 V
Rated impuls voltage	4000V
Rated current (40°C)	10 A
Contact resistance	≤ 15 mΩ
Insulation resistance	≥ 100 MΩ
Class protection	IP 65 / IP67
Temperature range	-25 °C ÷ + 90 °C

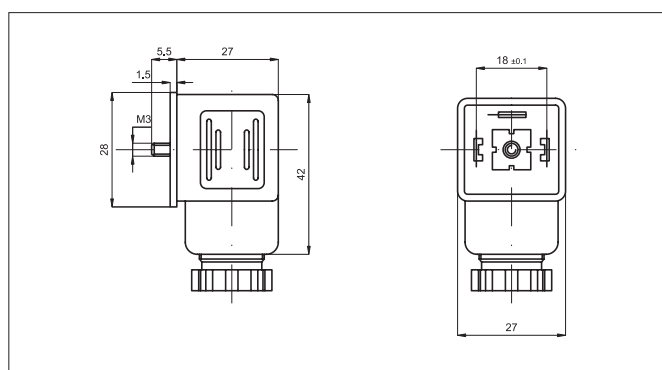
## Type A18209N/ATEX

Connector ATEX version full fit the requirements of the ATEX directive 2014/34/EU, class II, Category 3GD.

The ATEX connectors feature a special central fixing screw, which can only be opened with a special tool and pictograms on the connectors for not unmating the connector under voltage and the ATEX logo.

Outer dimension according to EN 175301-803 (formed DIN 43 650).

Standard executions		
Version	Code	Item
Standard, ATEX	032119X	A18209N/ATEX



**II 3GD**

Supplied according to 2014/34/EU - ATEX



Tecnical data	
Contact distance	18 mm
Rated voltage	230 V
Rated impuls voltage	4000V
Rated current (40°C)	10 A
Contact resistance	≤ 15 mΩ
Insulation resistance	≥ 100 MΩ
Class protection	IP 65
Temperature range	-25 °C ÷ + 90 °C