

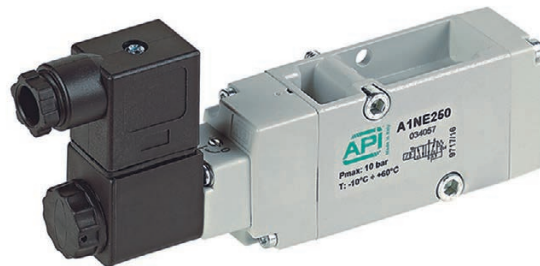
Valves series A1N

1/4", 3/2 - 5/2 - 5/3, NAMUR interface, electrically operated



Standard executions

Version	Symbol	Code	Item
3/2 NC solenoid/spring		034059	A1NE230
3/2 solenoid/solenoid		034060	A1NE232
5/2 solenoid/spring		034057	A1NE250
5/2 solenoid/solenoid		034058	A1NE251
5/3 with closed centres		034174	A1NE270
5/3 with open centres		034179	A1NE271
5/3 with pressurised centres		034254	A1NE272



Series of spool valves, with static seals, high flow, for mounting on NAMUR interface.

Coils and connectors have to be ordered separately.

For the coils type ASA12...

see page 2.200.1

For the coils type ASA2... (1)

see from page. 2.200.10

For the connectors type A122...

see page 2.210.20

Code key

Series	Actuation	Size	Function	Options
A1N = NAMUR	E = electrical	2 = 1/4"	30 = 3/2 NC 32 = 3/2 sol./sol. 50 = 5/2 sol./spring 51 = 5/2 sol./sol. 70 = 5/3 CC 71 = 5/3 OC 71 = 5/3 OC	BT = low temp. seals



On request, they can be supplied according to 2014/34/EU - ATEX

Options	Suffix
Low temperature seals (-25 ÷ +60°C)	BT

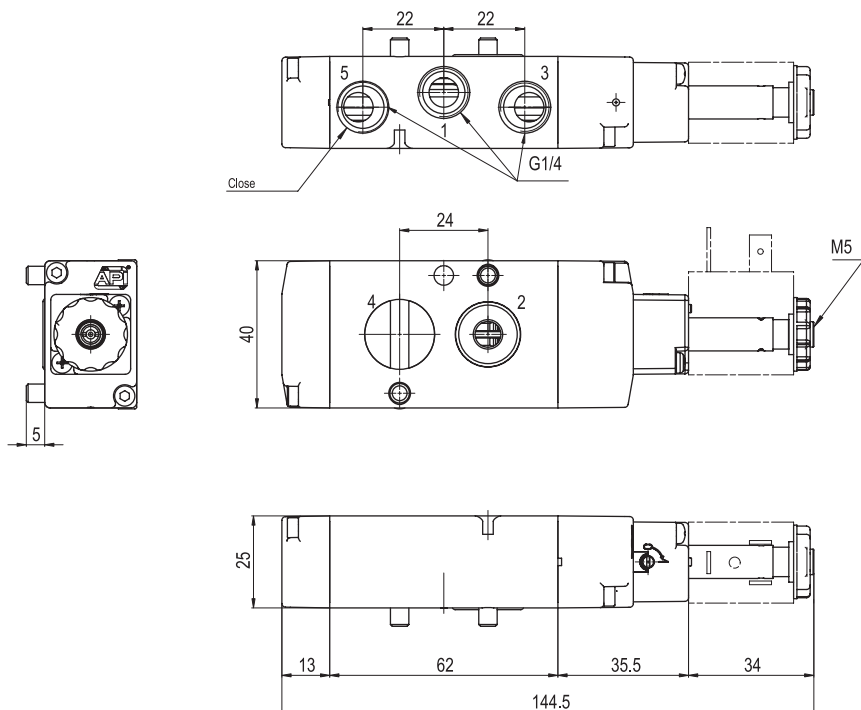
Note (1)	Code	Item
For assembling coils type ASA2... order plate PSN...	034203	PSN 3/2
	034166	PSN 5/2

Technical data

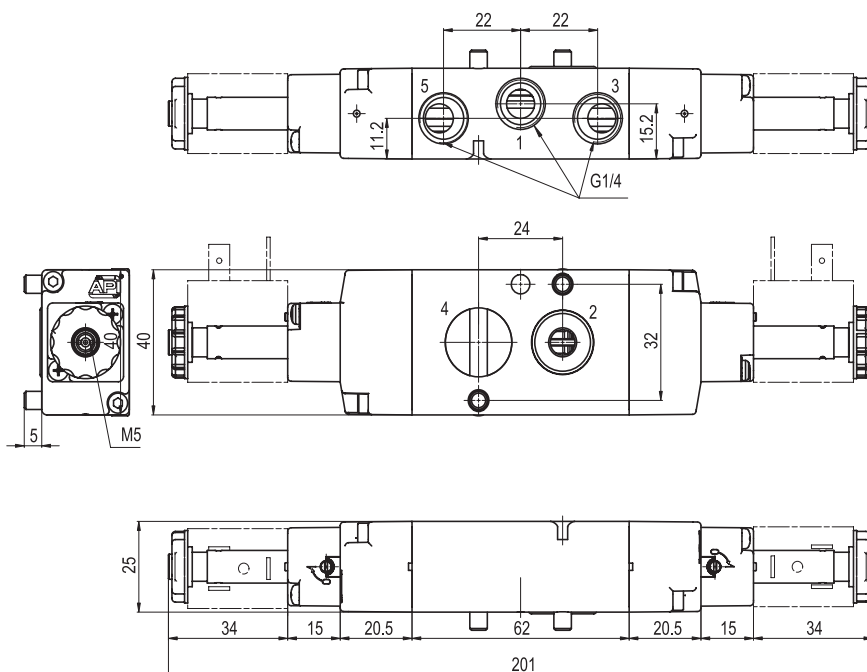
Fluid	Compressed filtered air with or without lubrication. Lubrication, if started, must be continued.		
Pressure range	1 ÷ 10 bar		
Temperature range	-10°C ÷ +60°C (standard)		-25°C ÷ +60°C (BT)
Orifice	7 mm		
Flow	1.000 NI/min at 6 bar with ΔP 1 bar		
Minimum piloting pressure	1,5 bar		
Minimum external air pressure	1,5 bar		
Mounting	In any position		
Manual override	Bistable		
Response time (at 6 bar)	solenoid/spring		solenoid/solenoid
	Energising: 45 ms	De-energising: 19 ms	Energising: 21 ms De-energising: 21 ms
Materials	Body:	Die-cast painted aluminium	
	Covers:	Hostaform C 13031	
	Spool:	Hard aluminium anodized	
	Distancers:	Ixef 1022	
	Seals:	Hydrogenated Nitrile Butadiene Rubber (HNBR)	



Valves series A1N
 1/4", 3/2 - 5/2 - 5/3, NAMUR interface, electrically operated

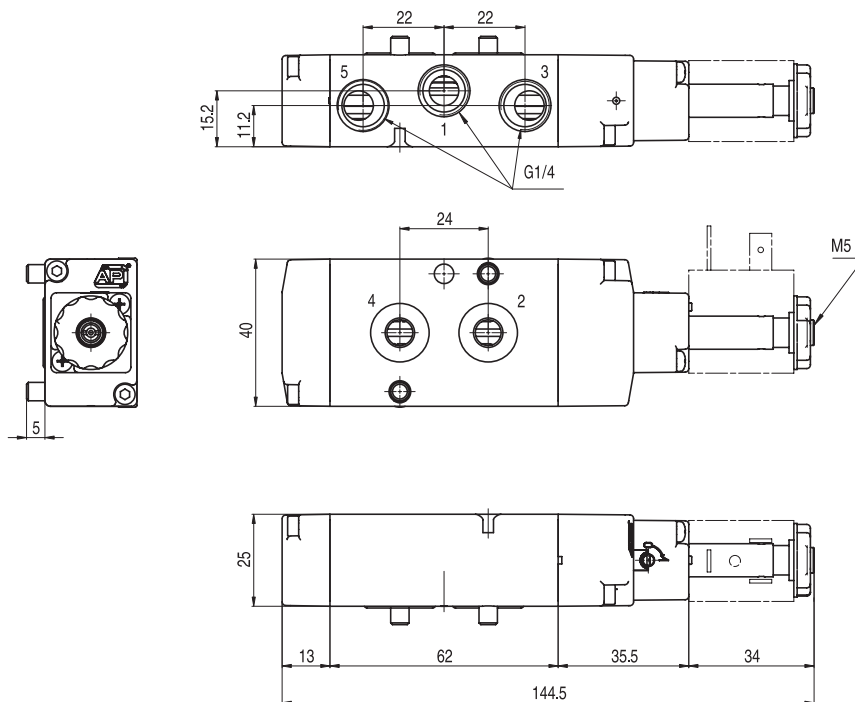


Version	Symbol	Code	Item
3/2 NC solenoid/spring		034059	A1NE230

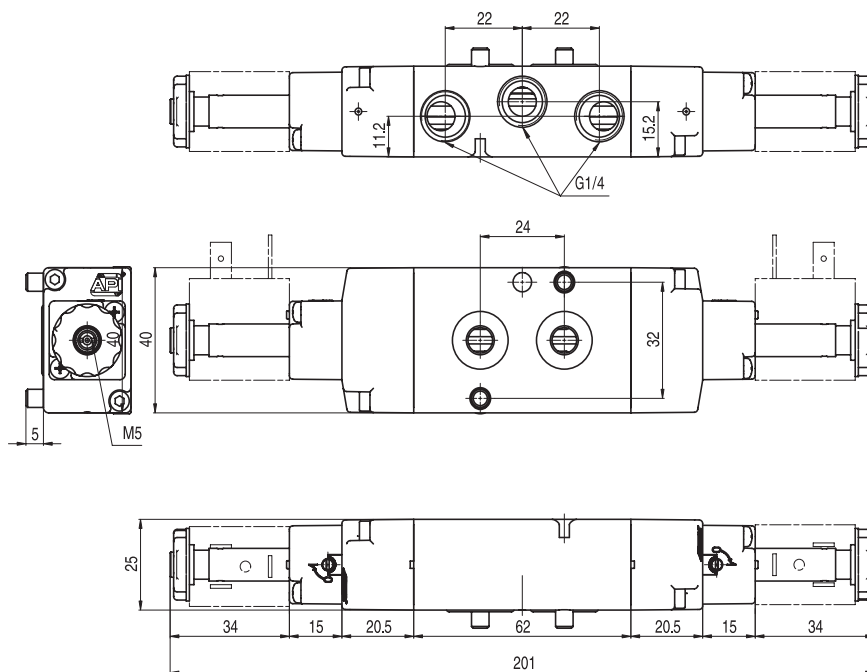


Version	Symbol	Code	Item
3/2 solenoid/solenoid		034060	A1NE232

Valves series A1N
 1/4", 3/2 - 5/2 - 5/3, NAMUR interface, electrically operated



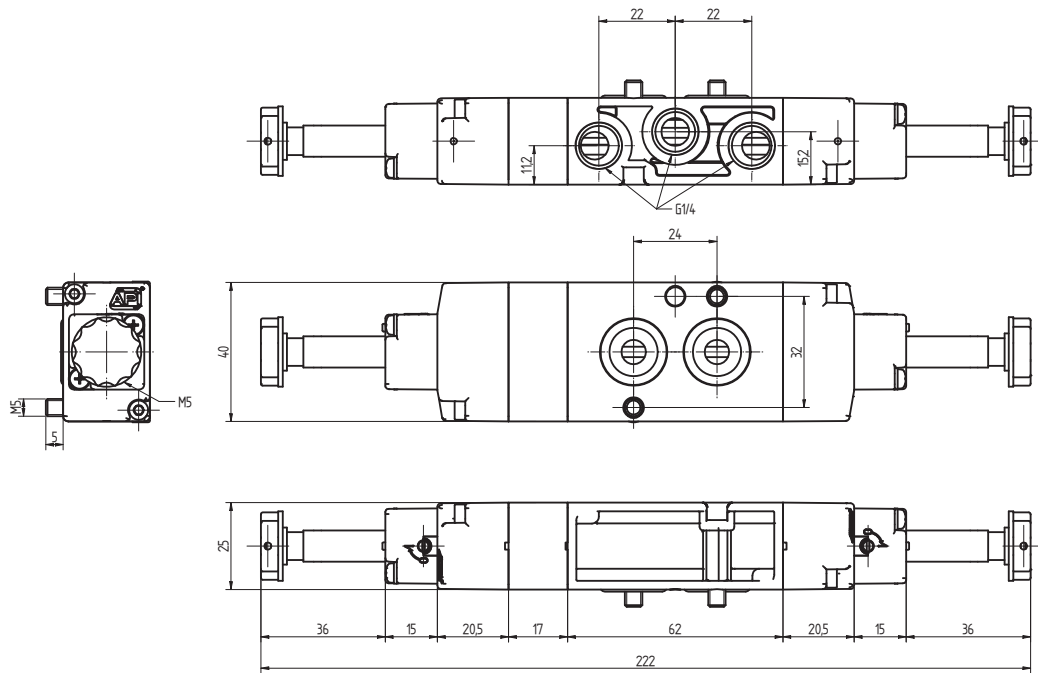
Version	Symbol	Code	Item
5/2 solenoid/spring		034057	A1NE250



Version	Symbol	Code	Item
5/2 solenoid/solenoid		034058	A1NE251

2

Valves series A1N
 1/4", 3/2 - 5/2 - 5/3, NAMUR interface, electrically operated



Version	Symbol	Code	Item
5/3 with closed centres		034174	A1NE270
5/3 with open centres		034179	A1NE271
5/3 with pressurised centres		034254	A1NE272