

Features

- ◇ Softly and concave oval structure give no damage to the workpiece surface
- ◇ Slot structure increases the friction force between vacuum pad and workpiece
- ◇ Concave oval vacuum pad is suitable for thin, long cylindrical surface and curved workpiece

Applications

- ◇ Handling long, thin tube and curved workpiece
- ◇ For narrow, long workpiece with small curved radius



Model

Model	Diameter(mm)	Material and Hardness	Connection thread
SOG	35 × 100	N-45(Green)(N-NBR)	G1/4M (M-Male thread) G1/4F (F-Female thread) G3/8F M10M M14 × 1.5M RA Rectangular adapter

△SOG 35 × 100N-45-G3/8F

How to order

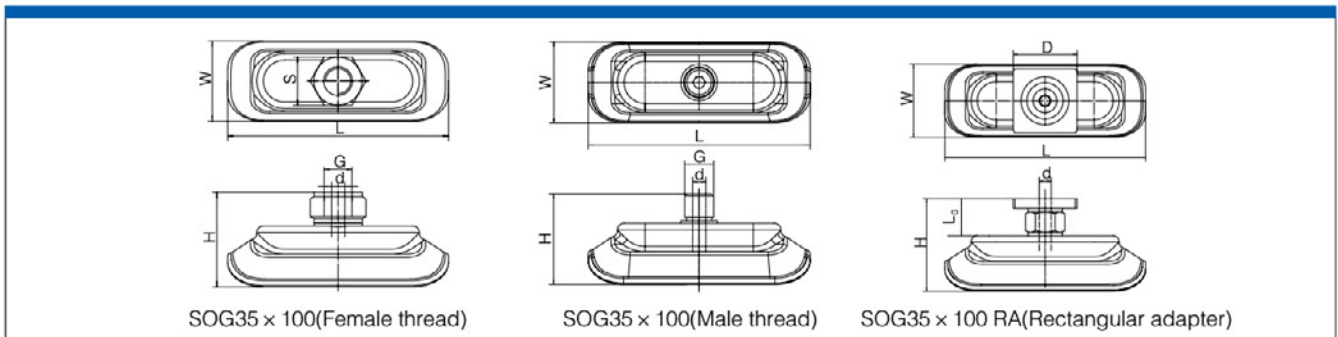
Connection	G1/4M (Male thread)	G1/4F (Female thread)	G3/8F (Female thread)	M10M (Male thread)	M14X1.5M (Male thread)	RA Rectangular adapter
Model						
SOG35 × 100N-45	209.1040.0102	209.1040.1102	209.1040.1103	209.1040.0210	209.1040.0214	209.1040.0932

Technical parameters

Model	Vertical pull-out force (N)-60kPa	Lateral pull-out force (N)-60kPa	Inner volume (cm ³)	Min. curve radius of workpiece (cm)	Recommended tube Diameter (mm)	Weight (g)
SOG35 × 100	122	87	11	25	6	37

△Workpiece is with smooth, dry surface, the above pull-out force datas don't include a safety factor.
Values may change according to different workpiece surfaces.

Dimensions



Model	Size (mm)	L	W	d	G	H	L _G	S
SOG35 × 100N-45-G1/4F		100	35	5	G1/4F	52	11	17
SOG35 × 100N-45-G1/4M		100	35	5	G1/4M	37.5	12	--
SOG35 × 100N-45-G3/8F		100	35	5	G3/8F	52	11	22
SOG35 × 100N-45-M10M		100	35	5	M10M	50	12	22
SOG35 × 100N-45-M14M		100	35	5	M14X1.5M	50	12	22
SOG35 × 100N-45-RA		100	35	5	--	42.5	18.7	32