

Features

- ◇ PU material, long lifetime, it lasts more or less 3–4 times longer than other material, less down time. Suitable for uneven textured surfaces, also good in plastic industry.
- ◇ Good flexibility.
- ◇ Good wear resistance and oil resistance.
- ◇ High tensile strength.



Model

Model	Diameter(mm)	Shore hardness (color)	Connection thread
SGP	25	Material: PU Shore hardness 30/55 (Blue/Yellow)	18F(G1/8 Female thread) 18M(G1/8 Male thread) 14F(G1/4 Female thread) 14M(G1/4 Male thread) 38F(G3/8 Female thread) 38M(G3/8 Male thread)
	35		
	45	Material: PU Shore hardness 55 (Green)	
	55		

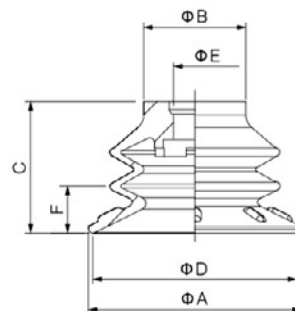
How to Order

Model	Hardness	Without fitting	18F	18M	14F	14M	38F	38M
SGP25	30/55	223.2501.0000	223.2521.0000	223.2531.0000	--	--	--	--
SGP25	55	223.2502.0000	223.2522.0000	223.2532.0000	--	--	--	--
SGP35	30/55	223.3501.0000	223.3521.0000	223.3531.0000	--	--	--	--
SGP35	55	223.3502.0000	223.3522.0000	223.3532.0000	--	--	--	--
SGP45	30/55	223.4501.0000	--	--	223.4521.0000	223.4531.0000	--	--
SGP45	55	223.4502.0000	--	--	223.4522.0000	223.4532.0000	--	--
SGP55	30/55	223.5501.0000	--	--	--	--	223.5561.0000	223.5571.0000
SGP55	55	223.5502.0000	--	--	--	--	223.5562.0000	223.5572.0000

△ Refer to the fittings for vacuum pads on page 233–236

Pad without fitting dimensions (mm)

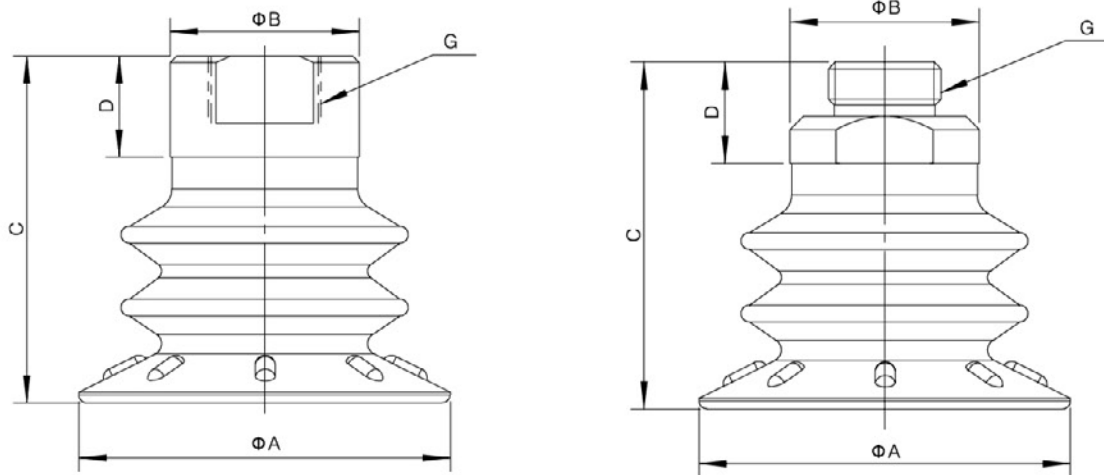
SGP25、SGP35、SGP45、SGP55



Model	A	B	C	D	E	F
SGP25	25	12	15.5	24	5	5.5
SGP35	35	16.5	22.3	33.4	5	8.4
SGP45	45	16.8	29.3	42.8	6.6	11.5
SGP55	55	27.5	36.3	52.4	10.5	12.9

Pad with fitting dimensions (mm)

SGP25、SGP35、SGP45、SGP55



Model	A	B	C	D	G
SGP25	25	14	25.5	10	G1/8F(G1/8M)
SGP35	35	14	32.3	10	G1/8F(G1/8M)
SGP45	45	21	40.8	11.5	G1/4F
	45	21	44.3	15	G1/4M
SGP55	55	28	51.3	15	G3/8F
	55	28	52.3	16	G3/8M

- TXC
- TXM
- SNP
- SOP
- SB
- SBF
- SBOF
- SFT
- SBL
- SBLP
- SF
- SU
- SUF
- STC
- SFF
- SOB
- SOE
- SOG
- SFP
- SBP
- SXP
- SGP**
- SDL
- SD
- SH
- SHB
- AZP
- AZPT
- AZPR
- SAN
- SAO
- SAOT
- SAOR
- SPA
- SPC
- SPF
- SPJ
- SPJG
- SPS
- SPU
- SNT
- K
- Fittings for Vacuum Pads
- BH
- Bulkhead Connector
- Ball Joint