

### Features

- ◇ 2.5 bellows vacuum pad.
- ◇ PU material, long lifetime, it lasts more or less 3–4 times longer than other material, less down time.
- ◇ Good flexibility.
- ◇ Good wear resistance and oil resistance.
- ◇ High tensile strength.



### Model

Model	Diameter(mm)	Shore hardness (color)	Connection thread
SXP	20	Material: PU Shore hardness 30/60 (L Blue/D Blue)	18F(G1/8 Female thread) 18M(G1/8 Male thread) 14F(G1/4 Female thread) 14M(G1/4 Male thread) 38F(G3/8 Female thread) 38M(G3/8 Male thread) NPSF38F(NPSF3/8 Female thread)
	25		
	30	Material: PU Shore hardness 60 (D Blue)	
	35		
	40	Material: PU Shore hardness 55 (Green)	
	50		
70			

△ SXP20PU-60-18F

### How to Order

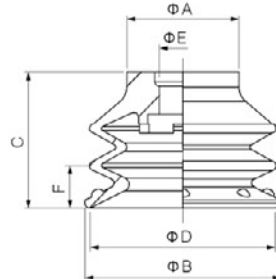
Model	Hardness	Without fitting	18F	18M	14F	14M	38F	38M	38F (SXP70)	38M (SXP70)	NPSF38F
SXP20	30/60	222.2001.0000	222.2021.0000	222.2031.0000	--	--	--	--	--	--	--
SXP20	60	222.2002.0000	222.2022.0000	222.2032.0000	--	--	--	--	--	--	--
SXP20	55	222.2003.0000	222.2023.0000	222.2033.0000	--	--	--	--	--	--	--
SXP25	30/60	222.2501.0000	222.2521.0000	222.2531.0000	--	--	--	--	--	--	--
SXP25	60	222.2502.0000	222.2522.0000	222.2532.0000	--	--	--	--	--	--	--
SXP25	55	222.2503.0000	222.2523.0000	222.2533.0000	--	--	--	--	--	--	--
SXP30	30/60	222.3001.0000	222.3021.0000	222.3031.0000	--	--	--	--	--	--	--
SXP30	60	222.3002.0000	222.3022.0000	222.3032.0000	--	--	--	--	--	--	--
SXP30	55	222.3003.0000	222.3023.0000	222.3033.0000	--	--	--	--	--	--	--
SXP35	30/60	222.3501.0000	--	--	222.3541.0000	222.3551.0000	--	--	--	--	--
SXP35	60	222.3502.0000	--	--	222.3542.0000	222.3552.0000	--	--	--	--	--
SXP35	55	222.3503.0000	--	--	222.3543.0000	222.3553.0000	--	--	--	--	--
SXP40	30/60	222.4001.0000	--	--	222.4041.0000	222.4051.0000	--	--	--	--	--
SXP40	60	222.4002.0000	--	--	222.4042.0000	222.4052.0000	--	--	--	--	--
SXP40	55	222.4003.0000	--	--	222.4043.0000	222.4053.0000	--	--	--	--	--
SXP50	30/60	222.5001.0000	--	--	--	--	222.5061.0000	222.5071.0000	--	--	--
SXP50	60	222.5002.0000	--	--	--	--	222.5062.0000	222.5072.0000	--	--	--
SXP50	55	222.5003.0000	--	--	--	--	222.5063.0000	222.5073.0000	--	--	--
SXP70	30/60	--	--	--	--	--	--	--	222.7081.0000	--	--
SXP70	30/60	--	--	--	--	--	--	--	--	--	222.7101.0000
SXP70	30/60	--	--	--	--	--	--	--	--	222.7091.0000	--
SXP70	60	--	--	--	--	--	--	--	222.7082.0000	--	--
SXP70	60	--	--	--	--	--	--	--	--	--	222.7102.0000
SXP70	60	--	--	--	--	--	--	--	--	222.7092.0000	--
SXP70	55	--	--	--	--	--	--	--	222.7083.0000	--	--
SXP70	55	--	--	--	--	--	--	--	--	--	222.7103.0000
SXP70	55	--	--	--	--	--	--	--	--	222.7093.0000	--

△ Refer to the fittings for vacuum pads on page 233–236

- TXC
- TXM
- SNP
- SOP
- SB
- SBF
- SBOF
- SFT
- SBL
- SBLP
- SF
- SU
- SUF
- STC
- SFF
- SOB
- SOF
- SOG
- SFP
- SBP
- SXP
- SGP
- SDL
- SD
- SH
- SHB
- AZP
- AZPT
- AZPR
- SAN
- SAO
- SAOT
- SAOR
- SPA
- SPC
- SPF
- SPJ
- SPJG
- SPS
- SPU
- SNT
- K
- Fittings for Vacuum Pads
- BH
- Bulkhead Connector
- Ball Joint

## Pad without fitting dimensions (mm)

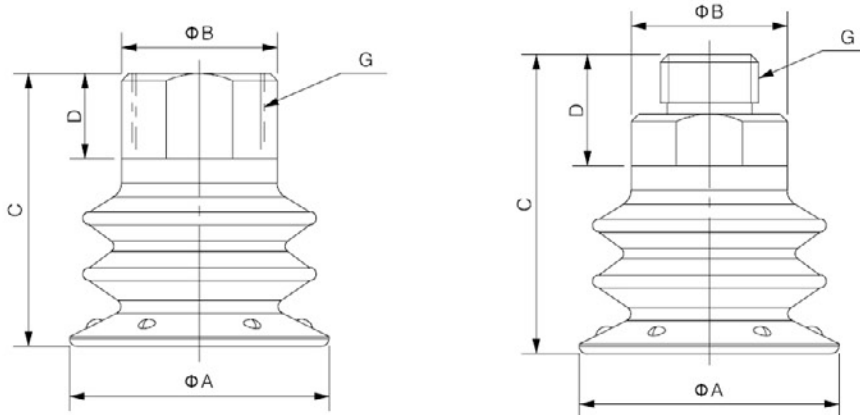
SXP20-SXP50



Model	A	B	C	D	E	F
SXP20	12	21	14.8	20	5	4.5
SXP25	15.4	26	18.9	24.4	5	7.3
SXP30	16.5	30	21.3	28	5	8
SXP35	21	35	25.3	33	6.5	9.8
SXP40	22	40	28.4	37.5	6.5	10.6
SXP50	27.5	50	35.5	47	10.5	13.4

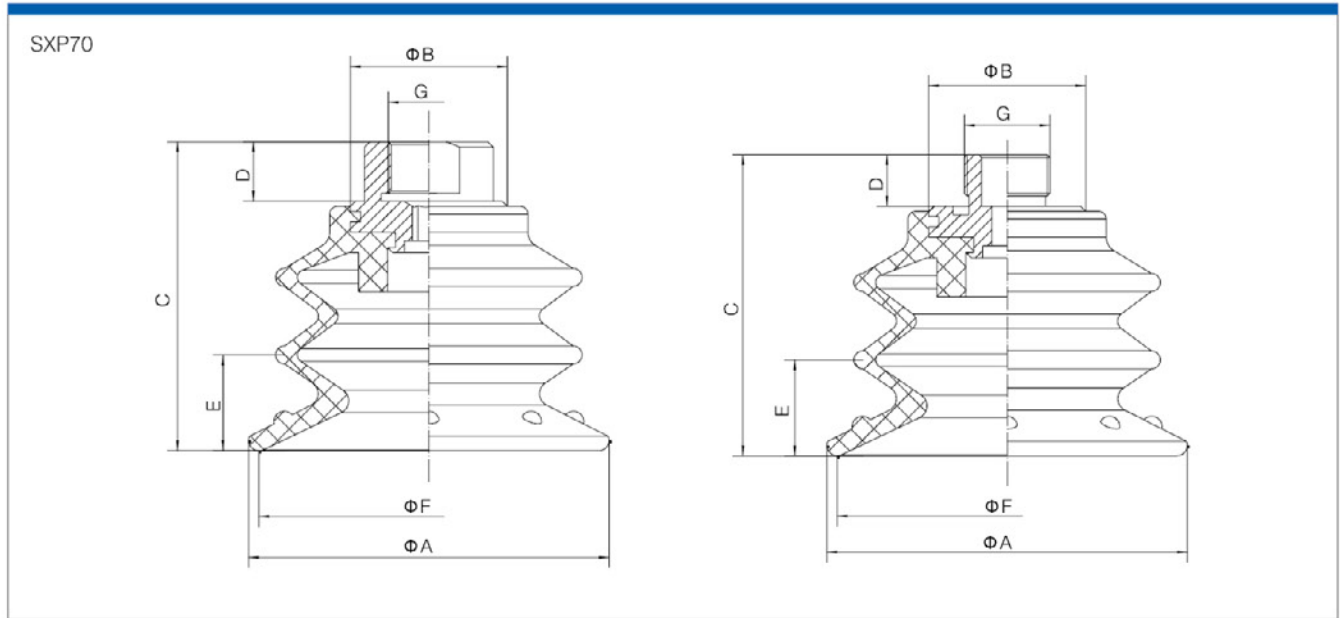
## Pad with fitting dimensions (mm)

SXP20, SXP25, SXP30, SXP35, SXP40, SXP50



Model	A	B	C	D	G
SXP20	21	14	39	10	G1/8F(G1/8M)
SXP25	26	14	28.9	10	G1/8F(G1/8M)
SXP30	30	14	31.3	10	G1/8F(G1/8M)
SXP35	35	21	36.8	11.5	G1/4F
	35	21	40.3	15	G1/4M
SXP40	40	21	40	11.5	G1/4F
	40	21	43.5	15	G1/4M
SXP50	50	18	50.5	15	G3/8F
	50	18	51.5	16	G3/8M

## Pad with fitting dimensions (mm)



Model	A	B	C	D	E	F	G
SXP70	70	30.5	60	11.5	18.6	66	G3/8F
	70	30.5	60	11.5	18.6	66	NPSF3/8F
	70	30.5	58.5	10	18.6	66	G3/8M

- TXC
- TXM
- SNP
- SOP
- SB
- SBF
- SBOF
- SFT
- SBL
- SBLP
- SF
- SU
- SUF
- STC
- SFF
- SOB
- SOE
- SOG
- SFP
- SBP
- SXP**
- SGP
- SDL
- SD
- SH
- SHB
- AZP
- AZPT
- AZPR
- SAN
- SAO
- SAOT
- SAOR
- SPA
- SPC
- SPF
- SPJ
- SPJG
- SPS
- SPU
- SNT
- K
- Fittings for Vacuum Pads
- BH
- Bulkhead Connector
- Ball Joint