

### Features

- ◇ 1.5 bellows vacuum pad.
- ◇ PU material, long lifetime, it lasts more or less 3–4 times longer than other material, less down time.
- ◇ Good flexibility.
- ◇ Good wear resistance and oil resistance.
- ◇ High tensile strength.



### Model

Model	Diameter(mm)	Shore hardness (color)	Connection thread
SBP	10	Material: PU Shore hardness 30/60 (L Blue/D Blue)	M5–M(M5 Male thread)
	15		18F(G 1/8 Female thread)
	20		18M(G 1/8 Male thread)
	30	Material: PU Shore hardness 60 (D Blue)	1/4F(G 1/4 Female thread)
	40		1/4M(G 1/4 Male thread)
	50		38F(G 3/8 Female thread)
70	Material: PU Shore hardness 40 (Yellow)	38M(G 3/8 Male thread)	
			NPSF3/8F(NPSF3/8 Female thread)

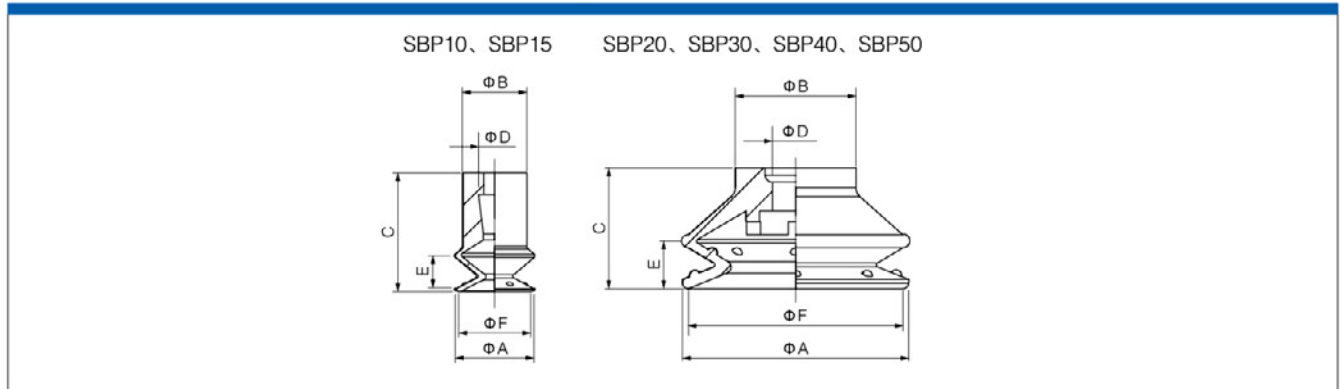
△ SBP20PU–40–18F

### How to Order

Model	Hardness	Without fitting	M5–M	18F	18M	14F	14M	38F	38M	38F(SBP70)	38M(SBP70)	NPSF38F
SBP10	60	221.1002.0000	221.1012.0000	--	--	--	--	--	--	--	--	--
SBP10	40	221.1003.0000	221.1013.0000	--	--	--	--	--	--	--	--	--
SBP15	30/60	221.1501.0000	221.1511.0000	--	--	--	--	--	--	--	--	--
SBP15	60	221.1502.0000	221.1512.0000	--	--	--	--	--	--	--	--	--
SBP15	40	221.1503.0000	221.1513.0000	--	--	--	--	--	--	--	--	--
SBP20	30/60	221.2001.0000	--	221.2021.0000	221.2031.0000	--	--	--	--	--	--	--
SBP20	60	221.2002.0000	--	221.2022.0000	221.2032.0000	--	--	--	--	--	--	--
SBP20	40	221.2003.0000	--	221.2023.0000	221.2033.0000	--	--	--	--	--	--	--
SBP30	30/60	221.3001.0000	--	--	--	221.3021.0000	221.3031.0000	--	--	--	--	--
SBP30	60	221.3002.0000	--	--	--	221.3022.0000	221.3032.0000	--	--	--	--	--
SBP30	40	221.3003.0000	--	--	--	221.3023.0000	221.3033.0000	--	--	--	--	--
SBP40	30/60	221.4001.0000	--	--	--	221.4021.0000	221.4031.0000	--	--	--	--	--
SBP40	60	221.4002.0000	--	--	--	221.4022.0000	221.4032.0000	--	--	--	--	--
SBP40	40	221.4003.0000	--	--	--	221.4023.0000	221.4033.0000	--	--	--	--	--
SBP50	30/60	221.5001.0000	--	--	--	--	--	221.5061.0000	221.5071.0000	--	--	--
SBP50	60	221.5002.0000	--	--	--	--	--	221.5062.0000	221.5072.0000	--	--	--
SBP50	40	221.5003.0000	--	--	--	--	--	221.5063.0000	221.5073.0000	--	--	--
SBP70	30/60	--	--	--	--	--	--	--	--	221.7081.0000	--	--
SBP70	30/60	--	--	--	--	--	--	--	--	--	--	221.7101.0000
SBP70	30/60	--	--	--	--	--	--	--	--	--	221.7091.0000	--
SBP70	60	--	--	--	--	--	--	--	--	221.7082.0000	--	--
SBP70	60	--	--	--	--	--	--	--	--	--	--	221.7102.0000
SBP70	60	--	--	--	--	--	--	--	--	--	221.7092.0000	--
SBP70	40	--	--	--	--	--	--	--	--	221.7083.0000	--	--
SBP70	40	--	--	--	--	--	--	--	--	--	--	221.7103.0000
SBP70	40	--	--	--	--	--	--	--	--	--	221.7093.0000	--

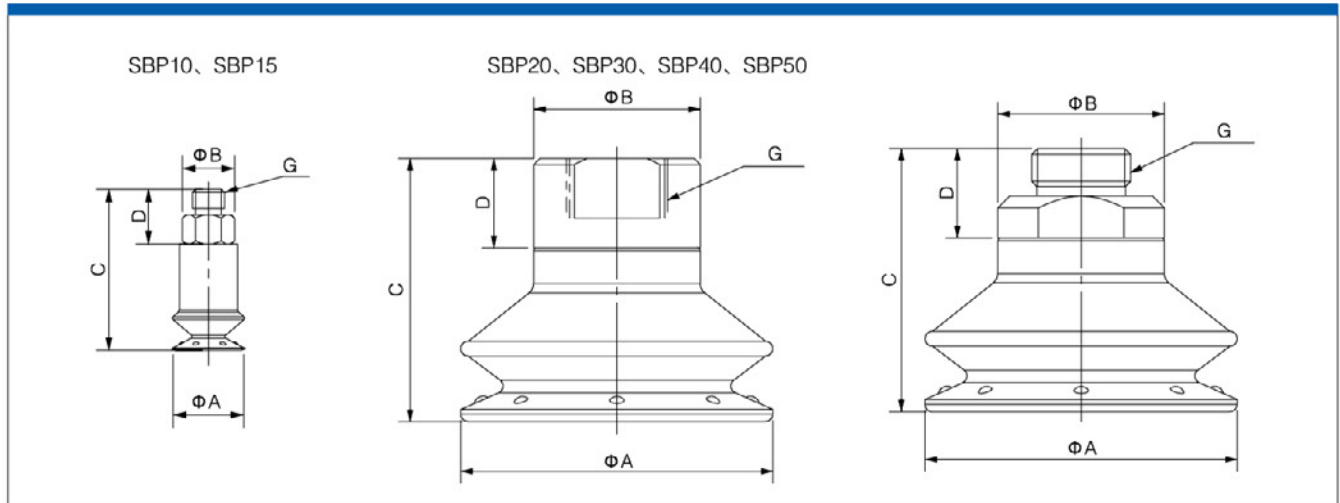
△ Refer to the fittings for vacuum pads on page 233–236

### Pad without fitting dimensions (mm)



Model	A	B	C	D	E	F
SBP10	10.9	9	16.5	5	5	10
SBP15	16	9	19	5.5	5.8	15
SBP20	21	12	18	5	7.5	20
SBP30	31.5	16.8	16.8	6.5	6.6	30
SBP40	42	22.4	22.4	6.5	8.8	40
SBP50	52.5	28	29.3	10.5	12.3	50

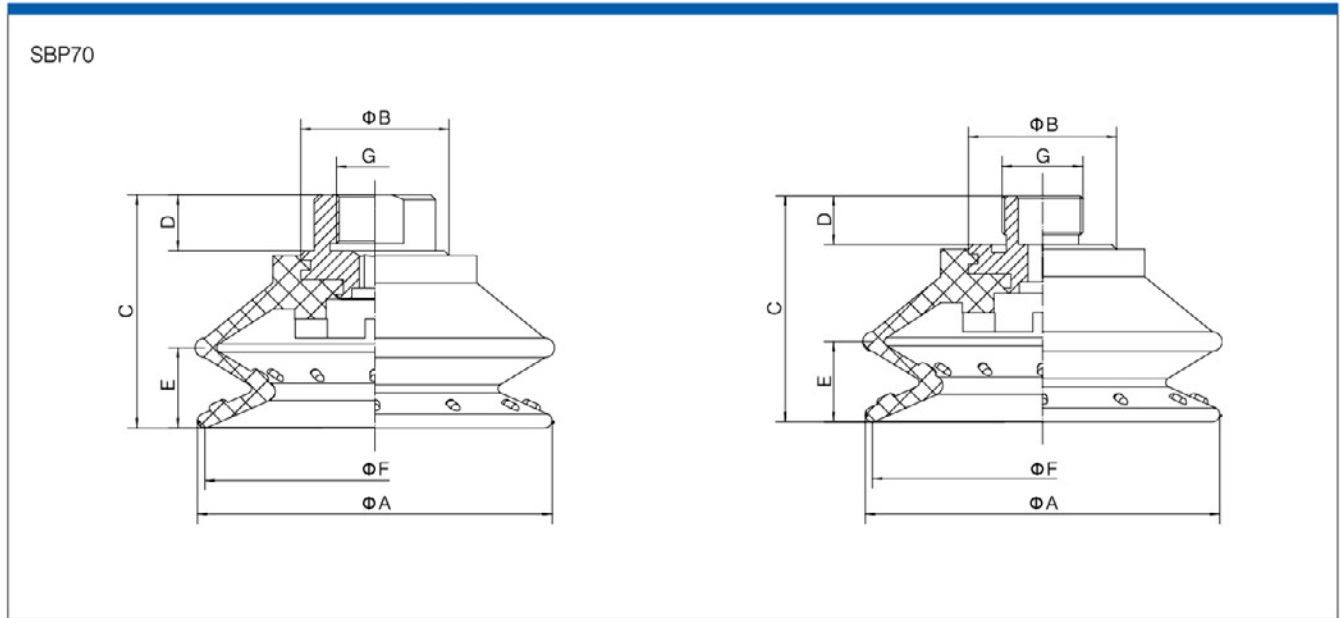
### Pad with fitting dimensions (mm)



Model	A	B	C	D	G
SBP10	10.9	7	25.5	9	M5M
SBP15	16	7	28	9	M5M
SBP20	21	14	28	10	G1/8F(G1/8M)
SBP30	31.5	21	28.3	11.5	G1/4F
	31.5	21	31.8	15	G1/4M
SBP40	42	21	33.9	11.5	G1/4F
	42	21	37.4	15	G1/4M
SBP50	52.5	28	43.3	15	G3/8(G3/8M)
	52.5	28	44.3	16	

- TXC
- TXM
- SNP
- SOP
- SB
- SBF
- SBOF
- SFT
- SBL
- SBLP
- SF
- SU
- SUF
- STC
- SFF
- SOB
- SOF
- SOG
- SFP
- SBP**
- SXP
- SGP
- SDL
- SD
- SH
- SHB
- AZP
- AZPT
- AZPR
- SAN
- SAO
- SAOT
- SAOR
- SPA
- SPC
- SPF
- SPJ
- SPJG
- SPS
- SPU
- SNT
- K
- Fittings for Vacuum Pads
- BH
- Bulkhead Connector
- Ball Joint

Pad with fitting dimensions (mm)



Model	A	B	C	D	E	F	G
SBP70	73	30.5	48	11.5	16.5	70	G3/8F
	73	30.5	48	11.5	16.5	70	NPSF3/8F
	73	30.5	46.5	10	16.5	70	G3/8M