

Features

- ◇ Suitable for transferring objects with smooth and even surface.
- ◇ Suitable for objects with unevenness.

Applications

- ◇ Electronical parts, solar silicone wafer.
- ◇ Sheet metal.



Specification

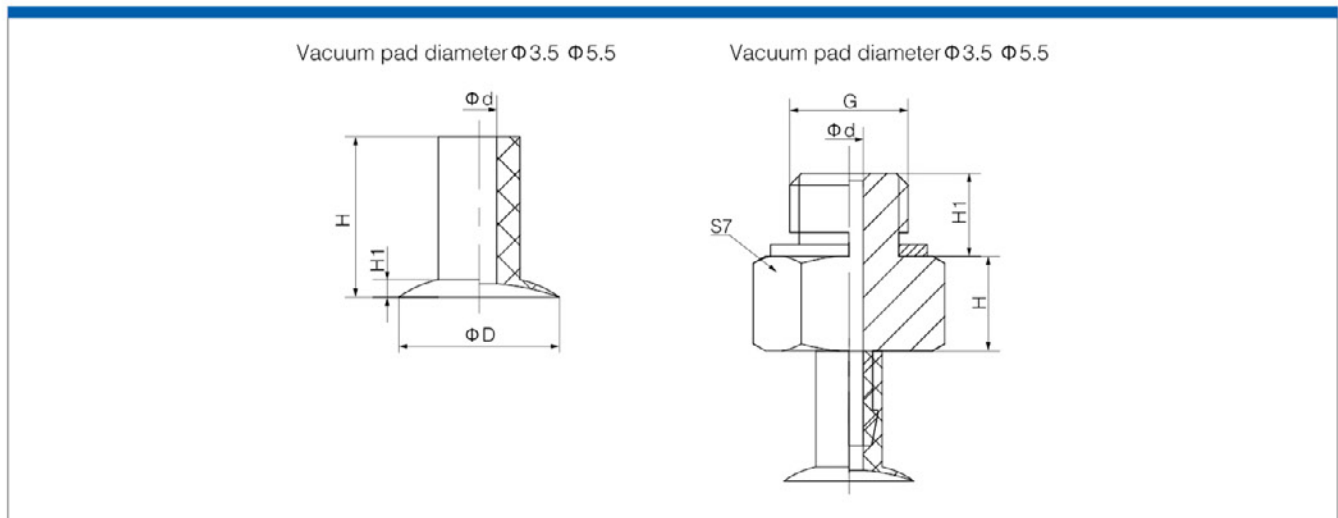
Model	Diameter(mm)	Material and color	Connection thread
SUF	3.5 5.5	N-NBR S-Silicone	M5M(Male thread)

△SUF3.5N-M5M

How to order

Model	Material	N	S
SUF3.5		246.0351.0000	246.0352.0000
SUF3.5-M5M		246.0351.0500	246.0352.0500
SUF5.5		246.0551.0000	246.0552.0000
SUF5.5-M5M		246.0551.0500	246.0552.0500

Dimensions (mm)



Model	Dimension	ΦD	Φd	H	H1	G	S
SUF3.5		3.5	1.2	5.4	0.4	-	-
SUF3.5-M5M		-	0.8	4.0	3.5	M5	7
SUF5.5		5.5	1.2	5.5	0.5	-	-
SUF5.5-M5M		-	0.8	4.0	3.5	M5	7