

# Valves series A1

## 1/8", 5/2 - 5/3, manually operated



Standard executions			
Version	Symbol	Code	Item
5/2 side lever, 1 position		034064	A1MA150LL
5/2 side lever, 2 positions		034063	A1MA151LL
5/3 side lever, 1 position		034062	A1MA170LL
5/3 side lever open centres, 1 position		034066	A1MA171LL
5/3 side lever pressurised centres 1 position		034065	A1MA172LL
5/3 side lever closed centres, 3 positions		034068	A1MA173LL
5/3 side lever, open centres, 3 positions		034067	A1MA174LL
5/3 side lever, pressurised centres 3 positions		034069	A1MA175LL
5/2 top lever, 2 positions		034091	A1MA151LT
5/2 push-pull, 1 position		034092	A1MA150TT
5/2 push-pull, 2 positions		034093	A1MA151TT



Series of spool valves, with static seals, high flow, for panel or sub-base mounting.

### Code key

Series	Actuation	Size	Function	Actuation
A1	MA = Manual	1 = 1/8"	50 = 5/2 spring return 51 = 5/2 two stable positions 70 = 5/3 CC spring return 71 = 5/3 OC spring return 72 = 5/3 PC spring return 73 = 5/3 CC 3 positions 74 = 5/3 OC 3 positions 75 = 5/3 PC 3 positions	LL = side lever LT = top lever TT = push-pull



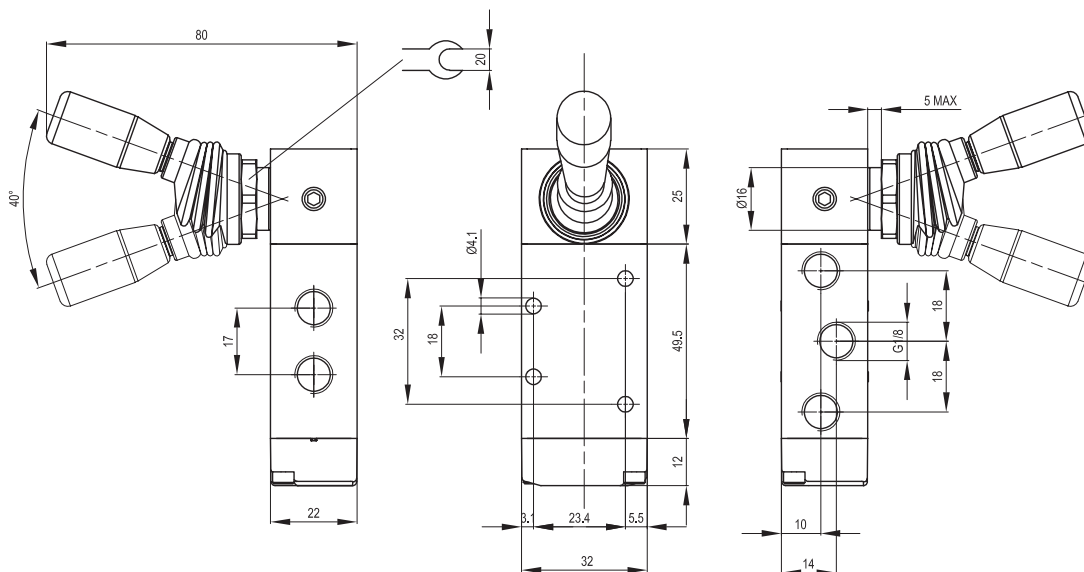
II 2Gc IIB T5  
II 2Dc T100°C

On request, they can be supplied according to 2014/34/EU - ATEX

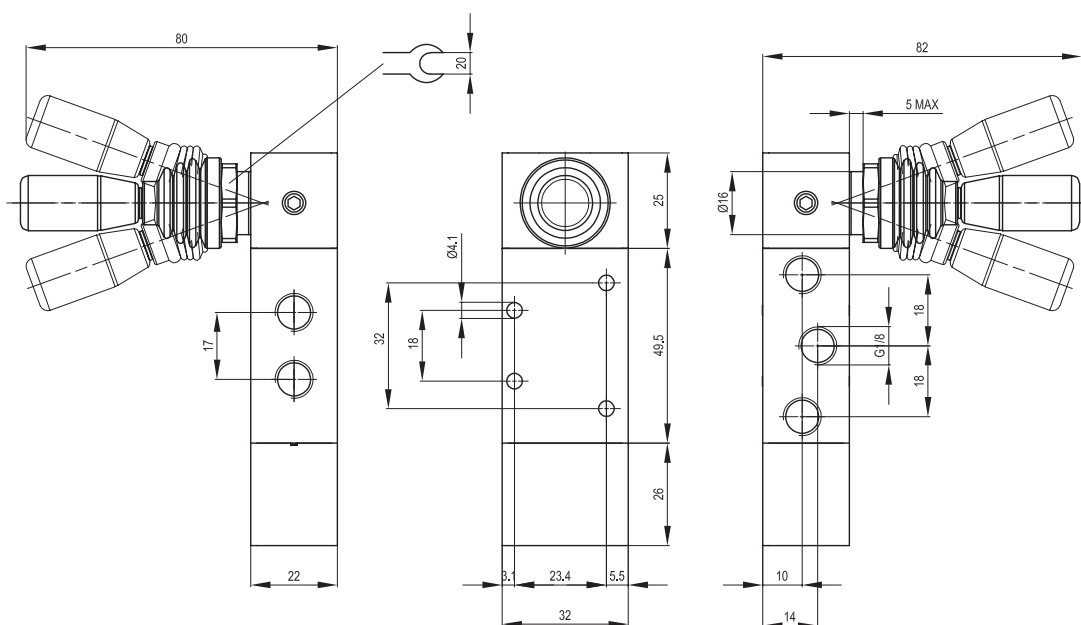
Technical data	
Fluid	Compressed filtered air with or without lubrication. Lubrication, if started, must be continued.
Pressure range	0 ÷ 10 bar
Temperature range	-10 °C ÷ + 80°C
Orifice	6,5 mm
Flow	650 NI/min at 6 bar with ΔP 1 bar
Mounting	In any position
Materials	Body: Anodised aluminium Cover: Anodised aluminium Bottom plates: Delrin 500 Spool: Hard aluminium anodized Distancers: Fortron 1140 L4 Seals: Hydrogenated Nitrile Butadiene Rubber (HNBR) Lever: Steel / Plastic



Valves series A1  
1/8", 5/2 - 5/3, manually operated

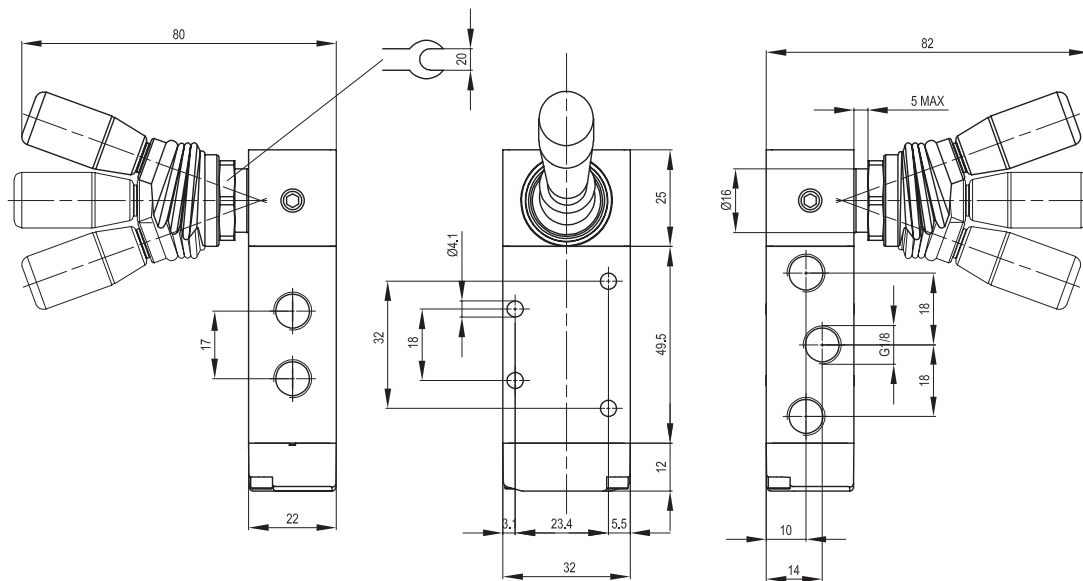


Version	Symbol	Code	Item
5/2 side lever, 1 position		034064	A1MA150LL
5/2 side lever, 2 positions		034063	A1MA151LL

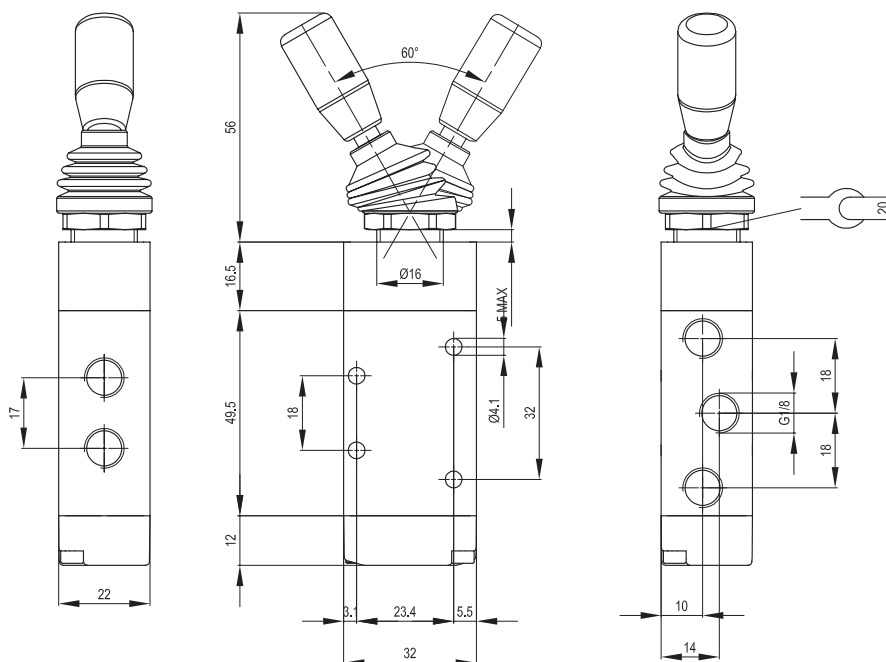


Version	Symbol	Code	Item
5/3 side lever, 1 position		034062	A1MA170LL
5/3 side lever open centres, 1 position		034066	A1MA171LL
5/3 side lever pressurised centres, 1 position		034065	A1MA172LL

Valves series A1  
1/8", 5/2 - 5/3, manually operated



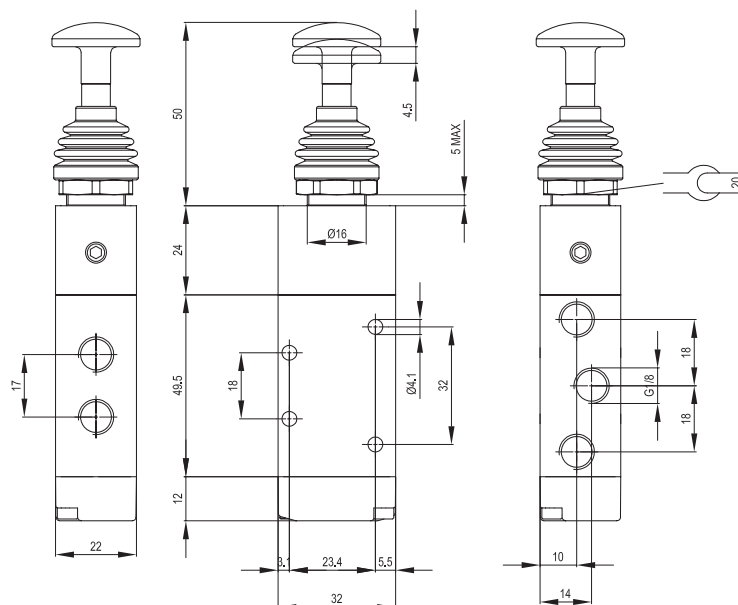
Version	Symbol	Code	Item
5/3 side lever closed centres, 3 positions		034068	A1MA173LL
5/3 side lever, open centres, 3 positions		034067	A1MA174LL
5/3 side lever, pressurised centres 3 positions		034069	A1MA175LL



Version	Symbol	Code	Item
5/2 top lever, 2 positions		034091	A1MA151LT

2

Valves series A1  
1/8", 5/2 - 5/3, manually operated



Version	Symbol	Code	Item
5/2 push-pull, 1 position		034092	A1MA150TT
5/2 push-pull, 2 positions		034093	A1MA151TT