

Valves series A1

1/8", 3/2, manually operated



Standard executions			
Version	Symbol	Code	Item
3/2 NC, side lever, 1 position		034071	A1MA130LL
3/2 side lever, 2 positions		034070	A1MA132LL
3/2 top lever, 2 positions		034082	A1MA132LT
3/2 NC, push-pull, 1 position		034083	A1MA130TT
3/2 push-pull, 2 positions		034084	A1MA132TT



Series of spool valves, with static seals, high flow, for panel or sub-base mounting.

Code key

Series	Actuation	Size	Function	Actuation
A1	MA = Manual	1 = 1/8"	30 = 3/2 NC spring return 32 = 3/2 two stable positions	LL = side lever LT = top lever TT = push-pull



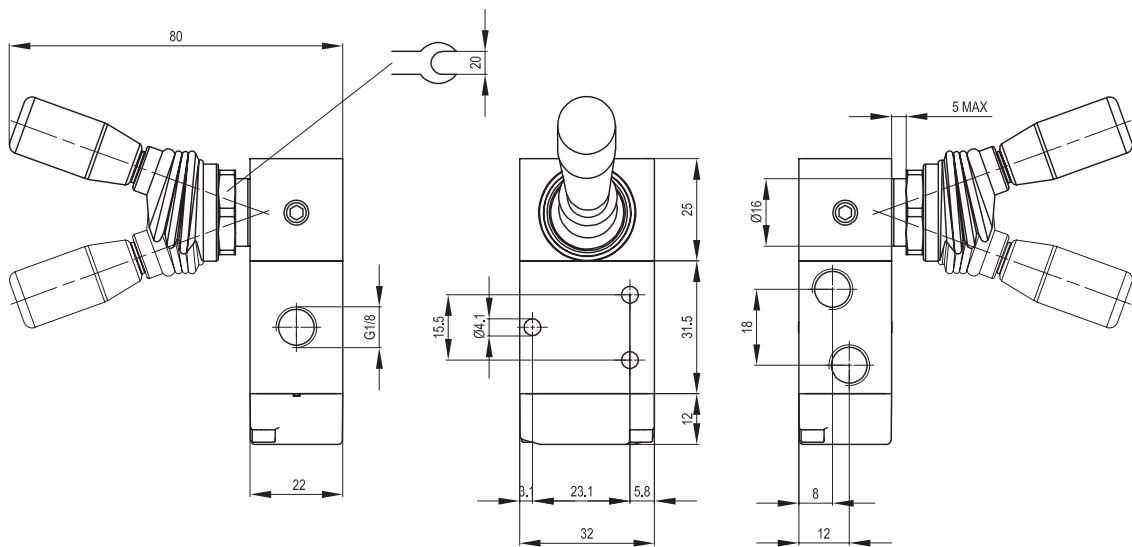
II 2Gc IIB T5
II 2Dc T100°C

On request, they can be supplied according to 2014/34/EU - ATEX

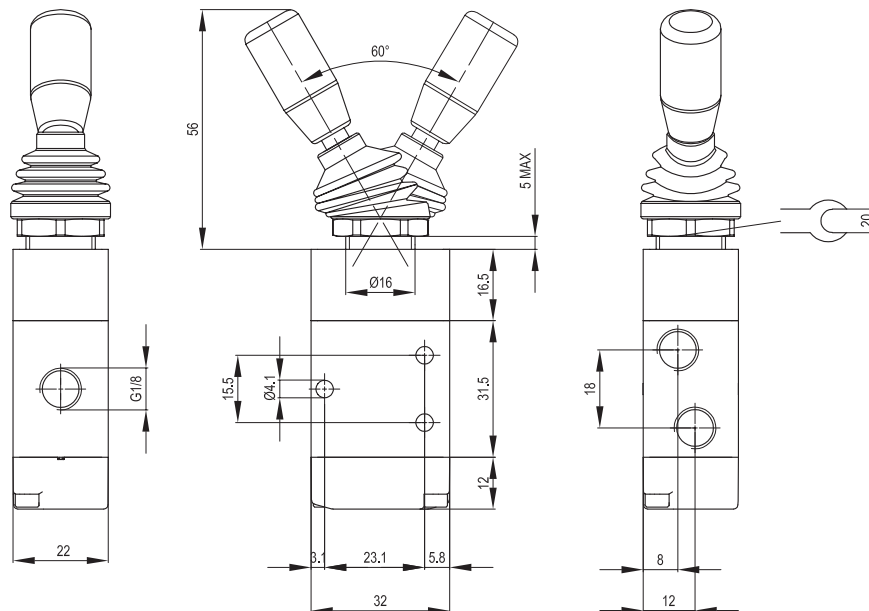
2

Technical data	
Fluid	Compressed filtered air with or without lubrication. Lubrication, if started, must be continued.
Pressure range	0 ÷ 10 bar
Temperature range	-10 °C ÷ + 80°C
Orifice	6,5 mm
Flow	650 NI/min at 6 bar with ΔP 1 bar
Mounting	In any position
Materials	Body: Anodised aluminium Cover: Anodised aluminium Bottom plates: Delrin 500 Spool: Hard aluminium anodized Distancers: Fortron 1140 L4 Seals: Hydrogenated Nitrile Butadiene Rubber (HNBR) Lever: Steel / Plastic

Valves series A1
1/8", 3/2, manually operated

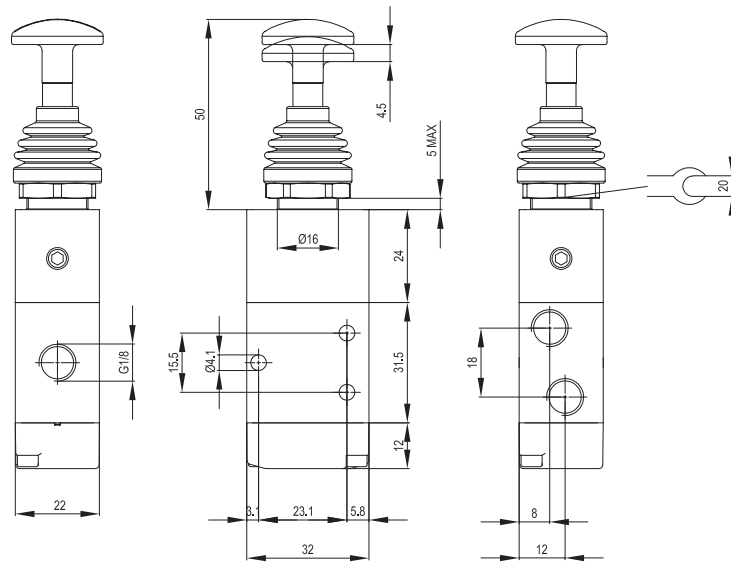


Version	Symbol	Code	Item
3/2 NC, side lever, 1 position		034071	A1MA130LL
3/2 side lever, 2 positions		034070	A1MA132LL



Version	Symbol	Code	Item
3/2 top lever, 2 positions		034082	A1MA132LT

Valves series A1
1/8", 3/2, manually operated



Version	Symbol	Code	Item
3/2 NC, push-pull, 1 position		034083	A1MA130TT
3/2 push-pull, 2 positions		034084	A1MA132TT

