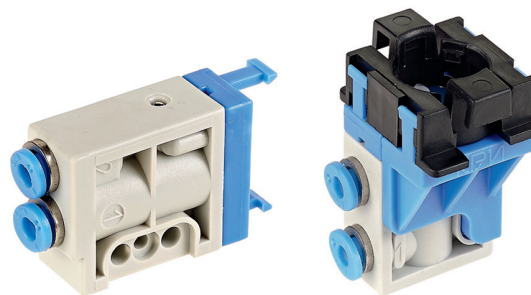


Microvalves Ø 4 and manual operating devices

Microvalves Ø 4, 3/2 normally open and normally closed

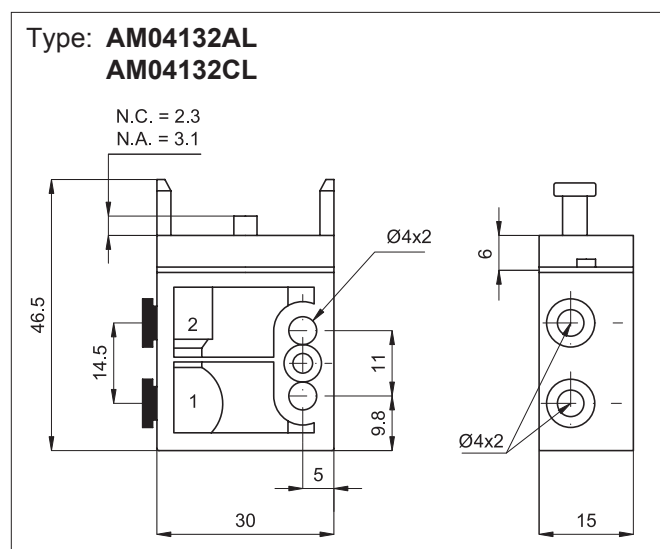
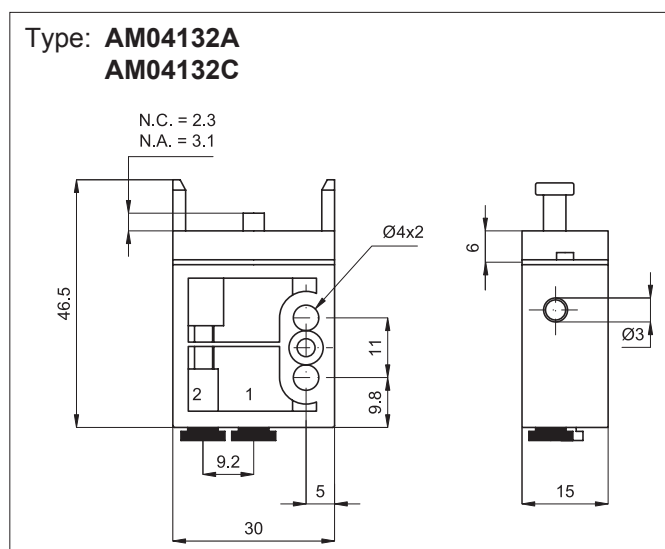


Standard executions			
Version	Symbol	Code	Item
Normally open		030251	AM04132A
Normally closed		030252	AM04132C
Normally open with side connections		030253	AM04132AL
Normally closed with side connections		030254	AM04132CL



Series of poppet microvalves arranged for operating manually. Connections with integral 4 mm push-in fittings. According to the application you can choose between the version with bottom connections or with side ones.

For the choice of the operating device see page 2.265.1.



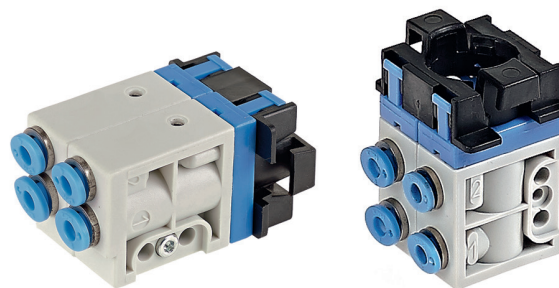
Technical data	
Fluid	Compressed filtered air with or without lubrication. Lubrication, if started, must be continued.
Pressure range	0 ÷ 8 bar
Temperature range	-20 °C ÷ + 80 °C
Operating force	5 N
Flow	80 NI/min.
Connections	With integral 4 mm push-in fittings
Fixing	Through 2 holes (Ø 4 mm) on the body Through 1 hole (Ø 22 mm) on panel (with operating device mounted)
Mounting	In any position
Materials	Body: Acetal resin Seals: Nitrile rubber (NBR)

Microvalves Ø 4 and manual operating devices

Microvalves Ø 4, 5/2 normally open and normally closed



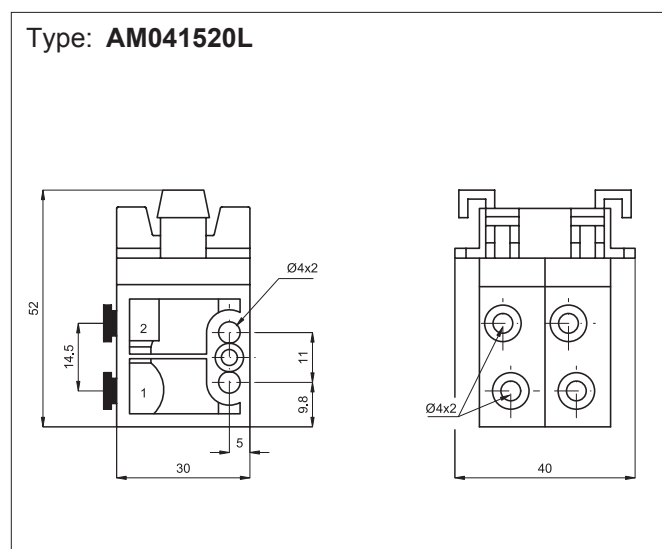
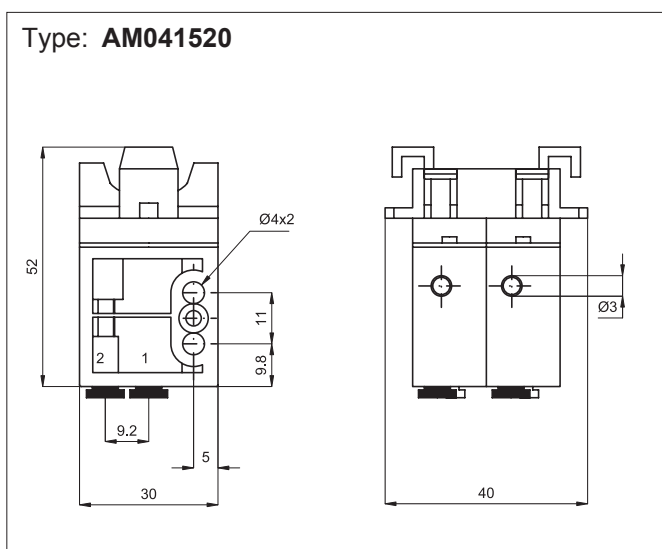
Standard executions			
Version	Symbol	Code	Item
5/2, 1 position		030261	AM041520
5/2, 1 position with side connections		030262	AM041520L



Series of poppet microvalves arranged for operating manually. Connections with integral 4 mm push-in fittings. According to the application you can choose between the version with bottom connections or with side ones.

For the choice of the operating device see page 2.265.1.

2



Technical data	
Fluid	Compressed filtered air with or without lubrication. Lubrication, if started, must be continued.
Pressure range	0 ÷ 8 bar
Temperature range	-20 °C ÷ + 80 °C
Operating force	10 N
Flow	80 NI/min.
Connections	With integral 4 mm push-in fittings
Fixing	Through 2 holes (Ø 4 mm) on the body Through 1 hole (Ø 22 mm) on panel (with operating device mounted)
Mounting	In any position
Materials	Body: Acetal resin Seals: Nitrile rubber (NBR)

Microvalves Ø 4 and manual operating devices

Manual operating devices



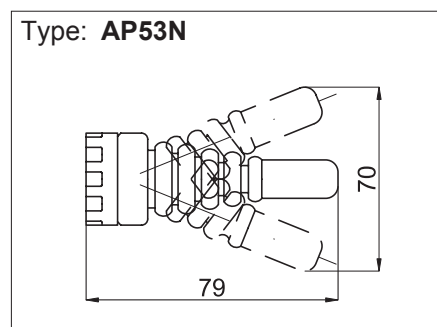
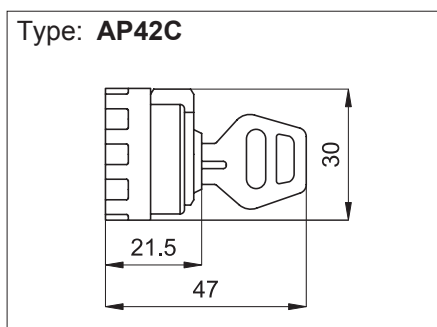
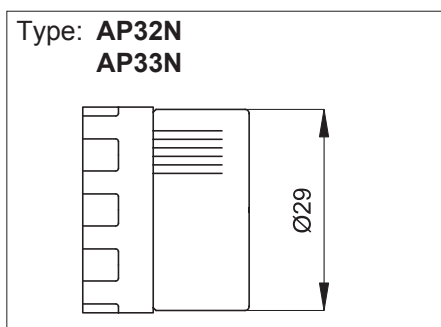
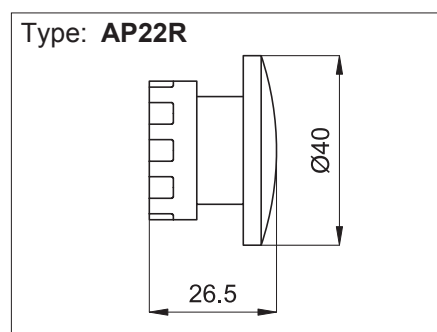
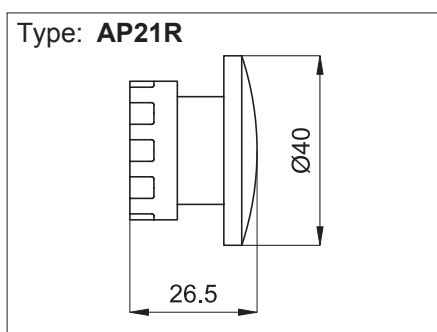
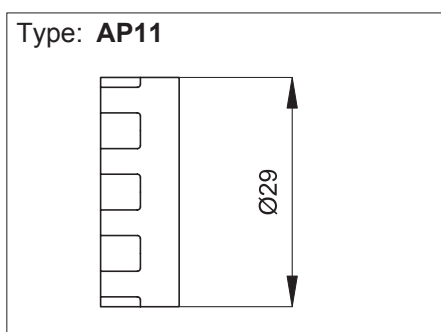
Standard executions			
Version	Symbol	Code	Item
Red recessed button, 1 position		030271	AP11R
Black recessed button, 1 position		030272	AP11N
Green recessed button, 1 position		030273	AP11V
Red head push button, 1 position		030274	AP21R
Red head push button, 2 positions		030275	AP22R
Black selector, 2 positions		030276	AP32N
Black selector, 3 positions		030277	AP33N
Selector with key, 2 positions		030278	AP42C
Black lever, 3 positions		030279	AP53N

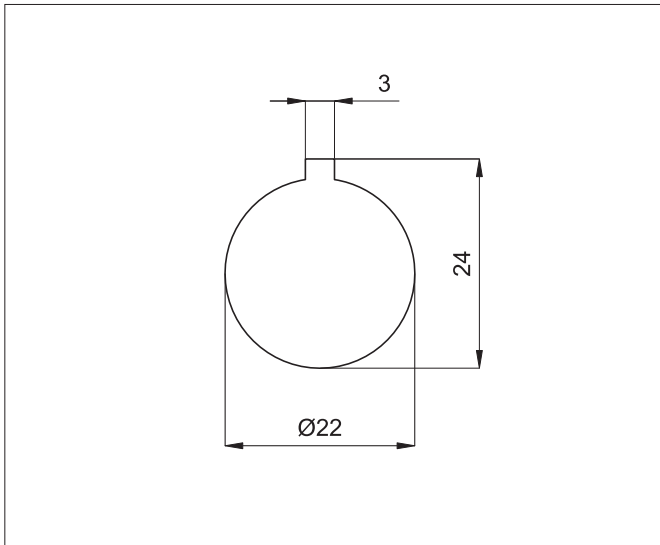


Series of operating devices available in different solutions (selector, recessed button, head push button etc.). Quick mounting on bayonet. They are arranged for mounting on panel (through 22 mm hole). For the valves type AM04...

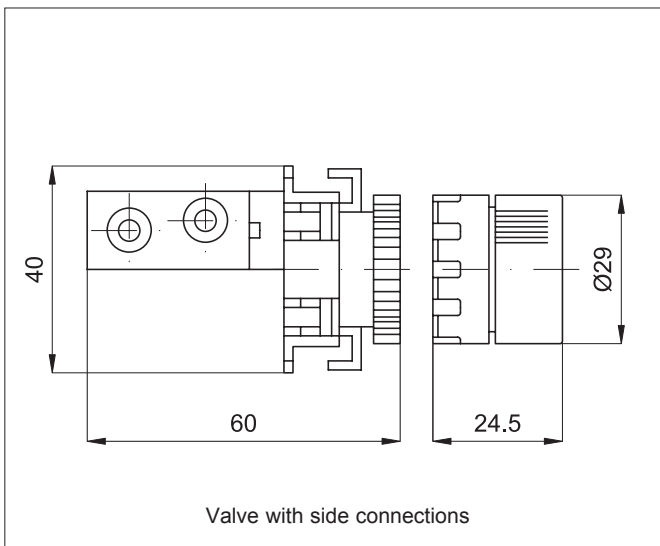
The head push button 2 positions type AP22R can only be used with the valves normally open.

Material:	Acetal resin
-----------	--------------



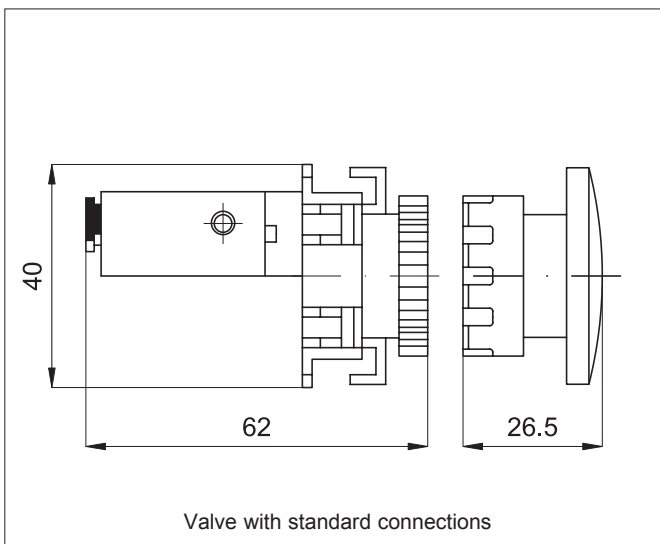


Dimensions of the hole for panel mounting.
The panel must not be thicker than 6 mm.



Maximum overall dimensions

Valve with side connections



Valve with standard connections