

Valves series A1

1/4", 5/2 - 5/3, manually operated



Standard executions			
Version	Symbol	Code	Item
5/2 side lever 1 position		034078	A1MA250LL
5/2 side lever 2 positions		034079	A1MA251LL
5/3 side lever closed centres, 1 position		034072	A1MA270LL
5/3 side lever open centres, 1 position		034081	A1MA271LL
5/3 side lever pressurised centres, 1 position		034080	A1MA272LL
5/3 side lever closed centres, 3 positions		034075	A1MA273LL
5/3 side lever open centres, 3 positions		034073	A1MA274LL
5/3 side lever pressurised centres, 3 positions		034074	A1MA275LL
5/2 top lever 2 positions		034105	A1MA251LT
5/2 push-pull 1 position		034106	A1MA250TT
5/2 push-pull 2 positions		034107	A1MA251TT



Series of spool valves, with static seals, high flow, for panel or sub-base mounting.

Code key

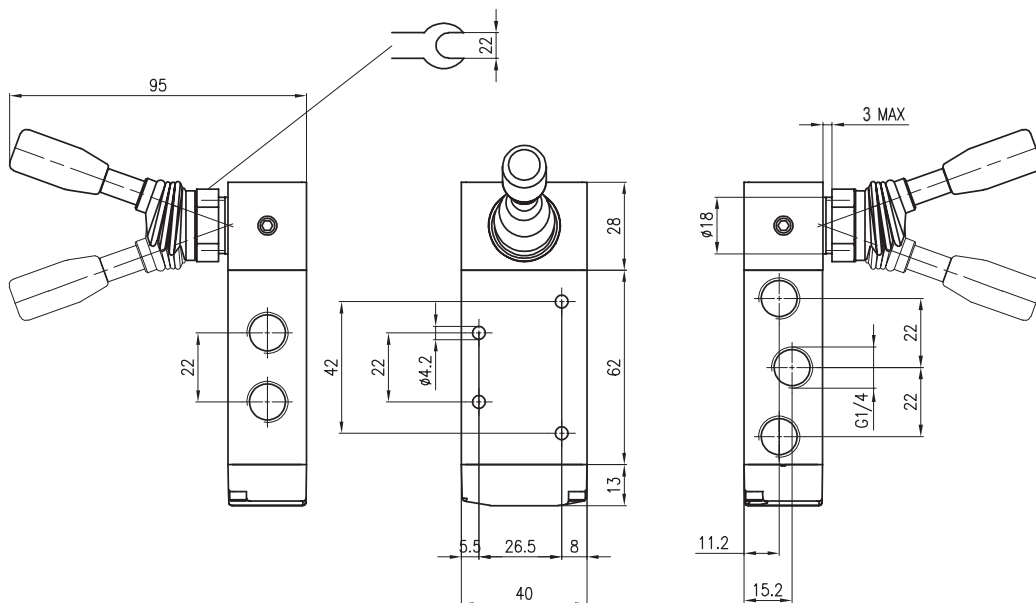
Series	Actuation	Size	Function	Actuation
A1	MA=Manual	1 = 1/8" 2 = 1/4"	30 = 3/2 NC spring return 32 = 3/2 two stable positions 50 = 5/2 spring return 51 = 5/2 two stable positions 70 = 5/3 CC spring return 71 = 5/3 OC spring return 72 = 5/3 PC spring return 73 = 5/3 CC 3 positions 74 = 5/3 OC 3 positions 75 = 5/3 PC 3 positions	LL = side lever LT = top lever TT = push-pull FR = red head push bottom FV = green head push bottom FN = black head push bottom BR = red recessed bottom BV = green recessed bottom BN = black recessed bottom

II 2Gc IIB T5
II 2Dc T100°C

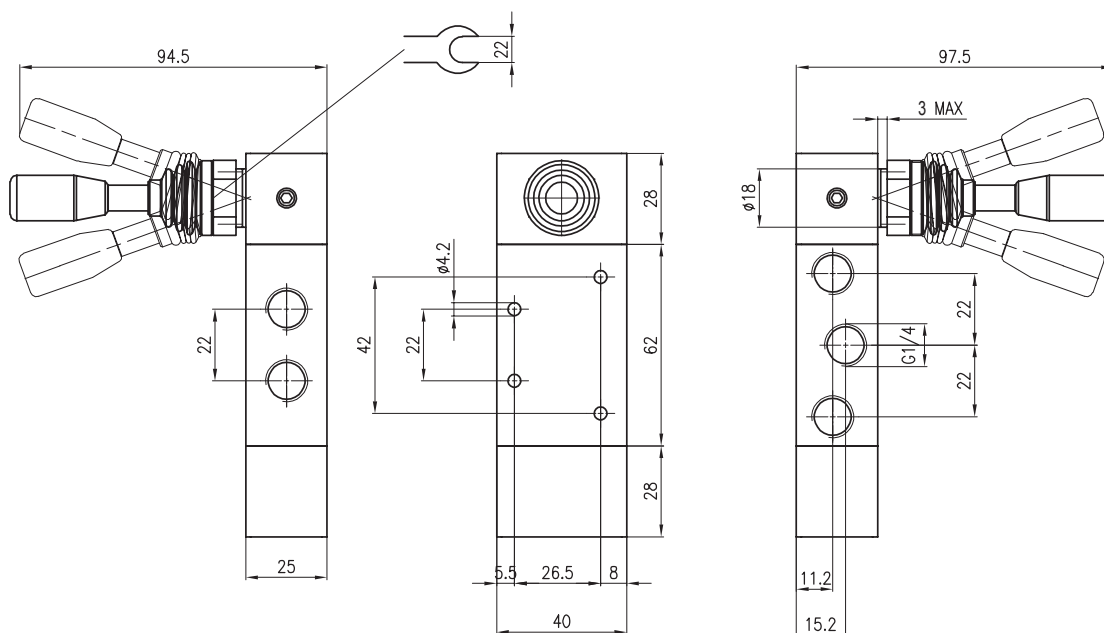
On request, they can be supplied according to 2014/34/EU - ATEX

Technical data	
Fluid	Compressed filtered air with or without lubrication. Lubrication, if started, must be continued.
Pressure range	0 ÷ 10 bar
Temperature range	-10 °C ÷ + 80°C
Orifice	8 mm
Flow	1100 NI/min at 6 bar with ΔP 1 bar
Mounting	In any position
Materials	Body: Anodised aluminium Cover: Anodised aluminium Bottom plates: Delrin 500 Spool: Hard aluminium anodized Distancers: Fortron 1140 L4 Seals: Hydrogenated Nitrile Butadiene Rubber (HNBR) Lever: Steel

Valves series A1
1/4", 5/2 - 5/3, manually operated

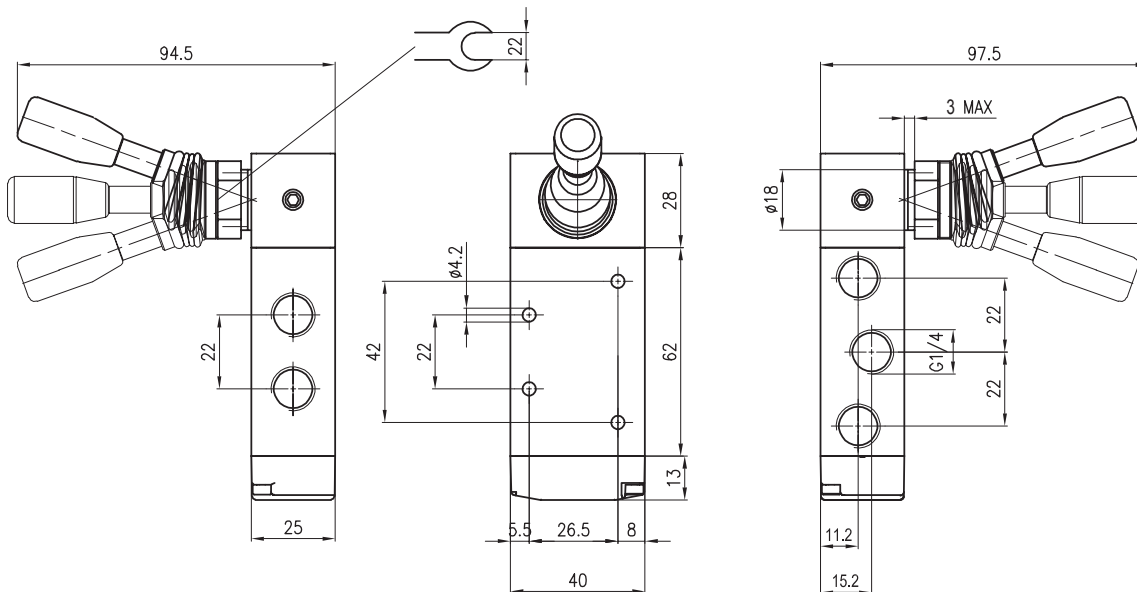


Version	Symbol	Code	Item
5/2 side lever, 1 position		034078	A1MA250LL
5/2 side lever, 2 positions		034079	A1MA251LL

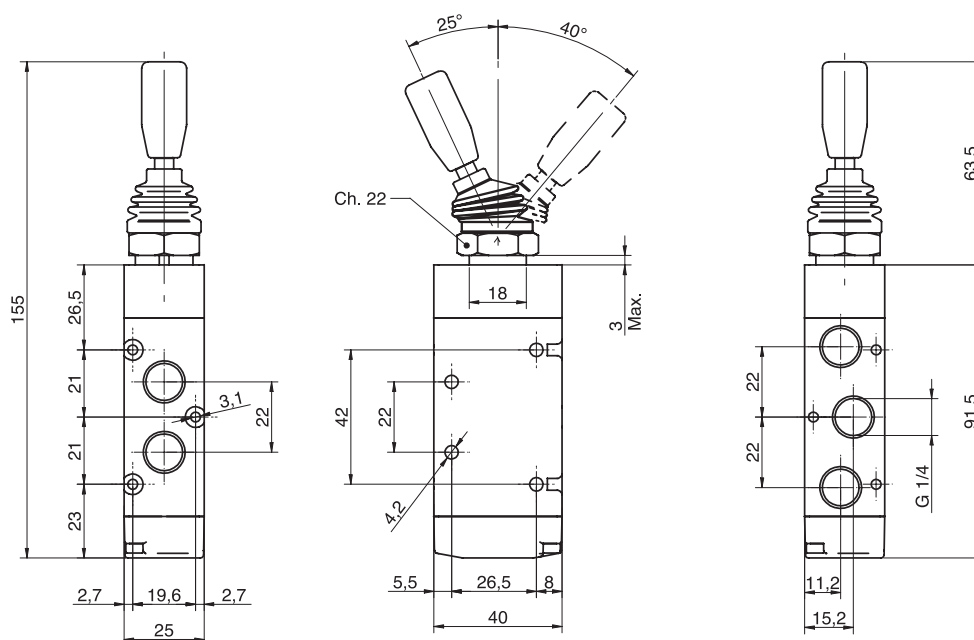


Version	Symbol	Code	Item
5/3 side lever, closed centres, 1 position		034072	A1MA270LL
5/3 side lever, open centres, 1 position		034081	A1MA271LL
5/3 side lever, pressurised centres, 1 position		034080	A1MA272LL

Valves series A1
1/4", 5/2 - 5/3, manually operated

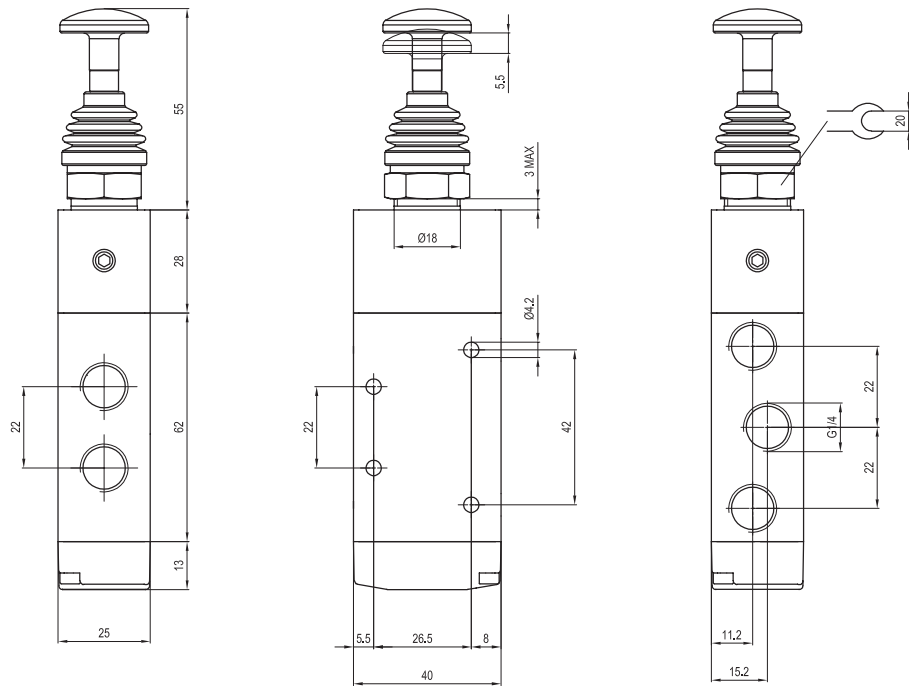


Version	Symbol	Code	Item
5/3 side lever, closed centres, 3 positions		034075	A1MA273LL
5/3 side lever, open centres, 3 positions		034073	A1MA274LL
5/3 side lever, pressurised centres, 3 positions		034074	A1MA275LL



Version	Symbol	Code	Item
5/2 top lever, 2 positions		034105	A1MA251LT

Valves series A1
 1/4", 5/2 - 5/3, manually operated



Version	Symbol	Code	Item
5/2 push-pull, 1 position		034106	A1MA250TT
5/2 push-pull, 2 positions		034107	A1MA251TT

