

Valves series A1

1/4", sub-bases



Standard executions		
Version	Code	Item
2 positions	034141	A1B202
3 positions	034142	A1B203
4 positions	034143	A1B204
5 positions	034144	A1B205
6 positions	034145	A1B206
7 positions	034146	A1B207
8 positions	034147	A1B208
9 positions	034148	A1B209
10 positions	034149	A1B210
blanking plate	034150	A1C2
plug	034151	A1T2



Multi-position sub-bases with fixed position, for valves series A1, 3 and 5 ways. 2 fixing screws for each position and the relevant seals are included in the base kit.
Spare positions can be blanked with plate.

Material:	Profiled anodised aluminium
-----------	-----------------------------



II 2Gc IIB T5
II 2Dc T100°C

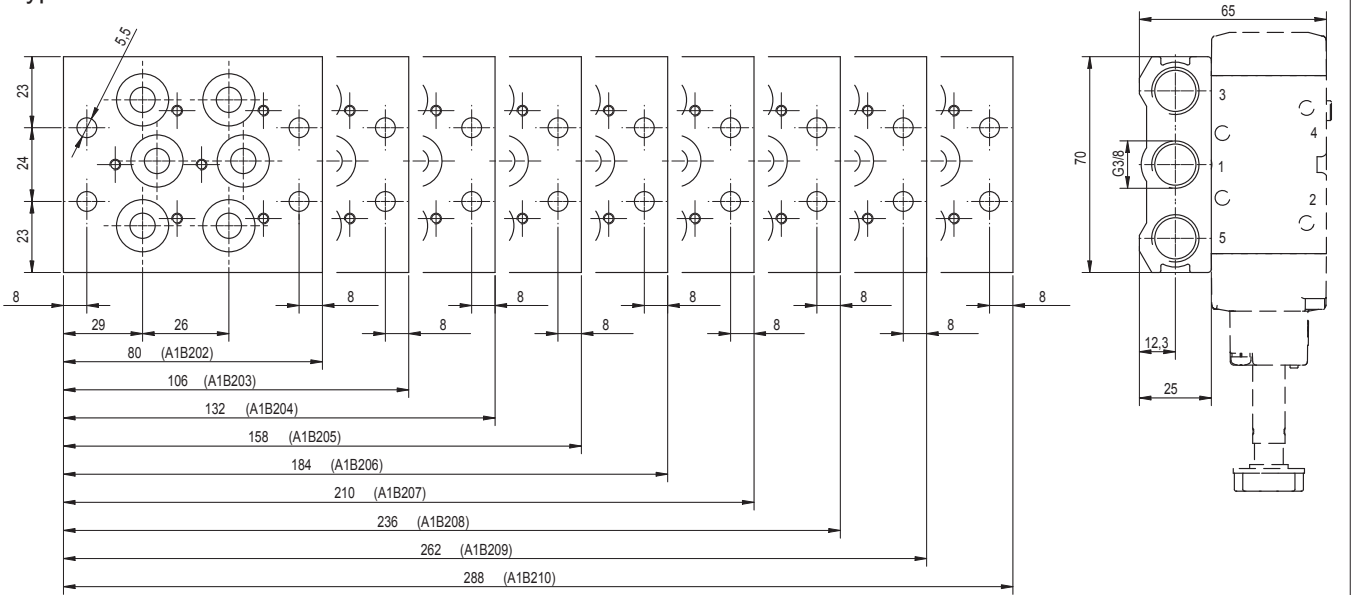
On request, they can be supplied according to 2014/34/EU - **ATEX**

Code key

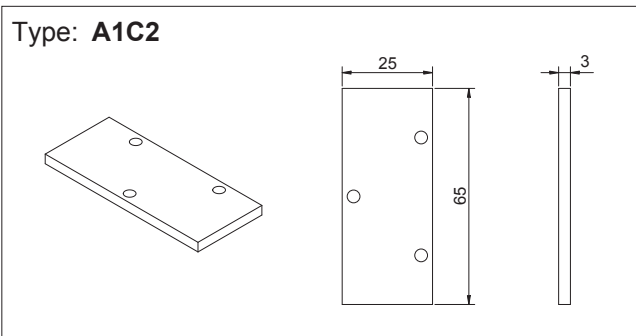
Series	Product	Size	N° positions
A1	B = base C = blanking plate T = plug	2 = 1/4"	from 02 to 10

Multi position sub-base

Type: **A1B2..**



Blanking plate



Plug

