

Valves series A1

1/4", 3/2, pneumatically operated



Standard executions			
Version	Symbol	Code	Item
3/2 NC		034027	A1P230
3/2 NO		034054	A1P231
3/2 pilot/pilot		034026	A1P232
3/2 pilot/pilot differential		034055	A1P233



Series of spool valves, with static seals, high flow, for panel or sub-base mounting.
For the sub-bases type A1B2... see page 2.85.1



On request, they can be supplied according to 2014/34/EU - ATEX

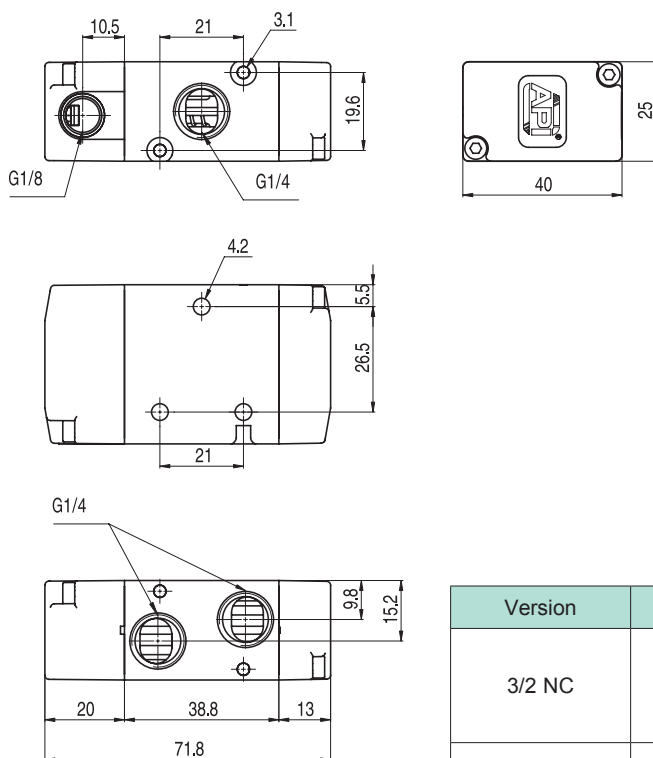
Code key

Series	Actuation	Size	Function
A1	P = pneumatic	2 = 1/4"	30 = 3/2 NC 31 = 3/2 NO 32 = 3/2 pilot/pilot 33 = 3/2 pilot/pilot differential

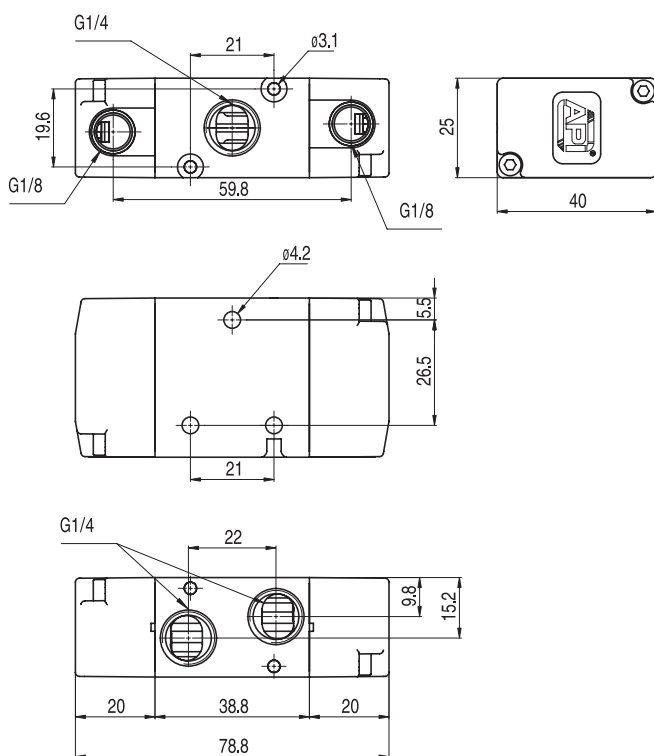
2

Technical data	
Fluid	Compressed filtered air with or without lubrication. Lubrication, if started, must be continued.
Pressure range	Spring return: 1,5 ÷ 10 bar Bistable: 1 ÷ 10 bar
Temperature range	-10°C ÷ +60°C
Orifice	8 mm
Flow	1.100 NI/min at 6 bar with ΔP 1 bar
Minimum piloting pressure	1,5 bar
Manual override	Bistable
Materials	Body: Anodised aluminium Covers: Delrin 500 Spool: Hard aluminium anodized Distancers: Fortron 1140 L4 Seals: Hydrogenated Nitrile Butadiene Rubber (HNBR)

Valves series A1
1/4", 3/2, pneumatically operated



Version	Symbol	Code	Item
3/2 NC		034027	A1P230
3/2 NO		034054	A1P231



Version	Symbol	Code	Item
3/2 pilot/pilot		034026	A1P232
3/2 pilot/pilot differential		034055	A1P233

Valves series A1

1/4", 5/2 - 5/3, pneumatically operated



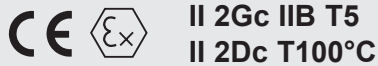
Standard executions			
Version	Symbol	Code	Item
5/2 pilot/spring		034101	A1P250
5/2 pilot/pilot		034102	A1P251
5/2 pilot/pilot differential		034056	A1P252
5/3 with closed centres		034029	A1P270
5/3 with open centres		034030	A1P271
5/3 with pressurised centers		034028	A1P272



Series of spool valves, with static seals, high flow, for panel or sub-base mounting.
For the sub-bases type A1B2... see page 2.85.1

Code key

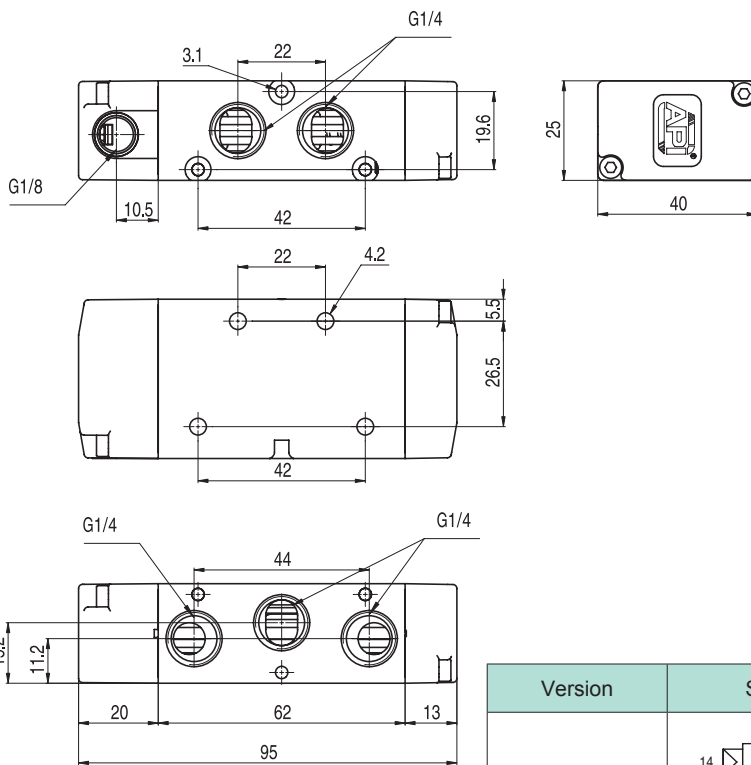
Series	Actuation	Size	Function
A1	P = pneumatic	2 = 1/4"	50 = 5/2 pilot/spring 51 = 5/2 pilot/pilot 52 = 5/2 pilot/pilot differential 70 = 5/3 CC 71 = 5/3 OC 72 = 5/3 PC



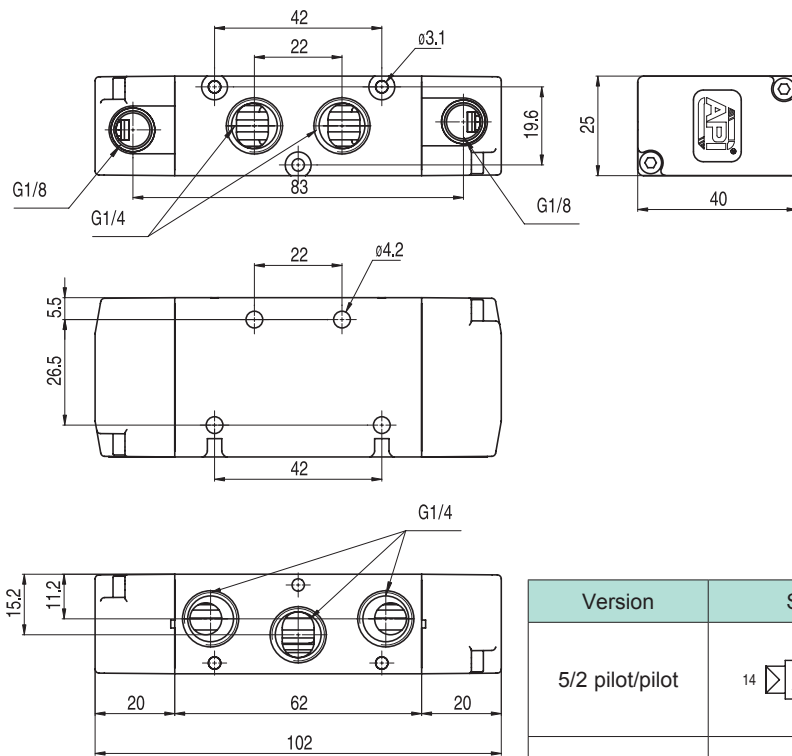
On request, they can be supplied according to 2014/34/EU - ATEX

Technical data			
Fluid	Compressed filtered air with or without lubrication. Lubrication, if started, must be continued.		
Pressure range	Spring return: 1,5 ÷ 10 bar	Bistable: 1 ÷ 10 bar	3 position: 2,5 ÷ 10 bar
Temperature range	-10°C ÷ +60°C		
Orifice	8 mm		
Flow	1.100 NI/min at 6 bar with ΔP 1 bar		
Minimum piloting pressure	1,5 bar		
Manual override	Bistable		
Materials	Body:	Anodised aluminium	
	Covers:	Delrin 500	
	Spool:	Hard aluminium anodized	
	Distancers:	Fortron 1140 L4	
	Seals:	Hydrogenated Nitrile Butadiene Rubber (HNBR)	

Valves series A1
1/4", 5/2 - 5/3, pneumatically operated



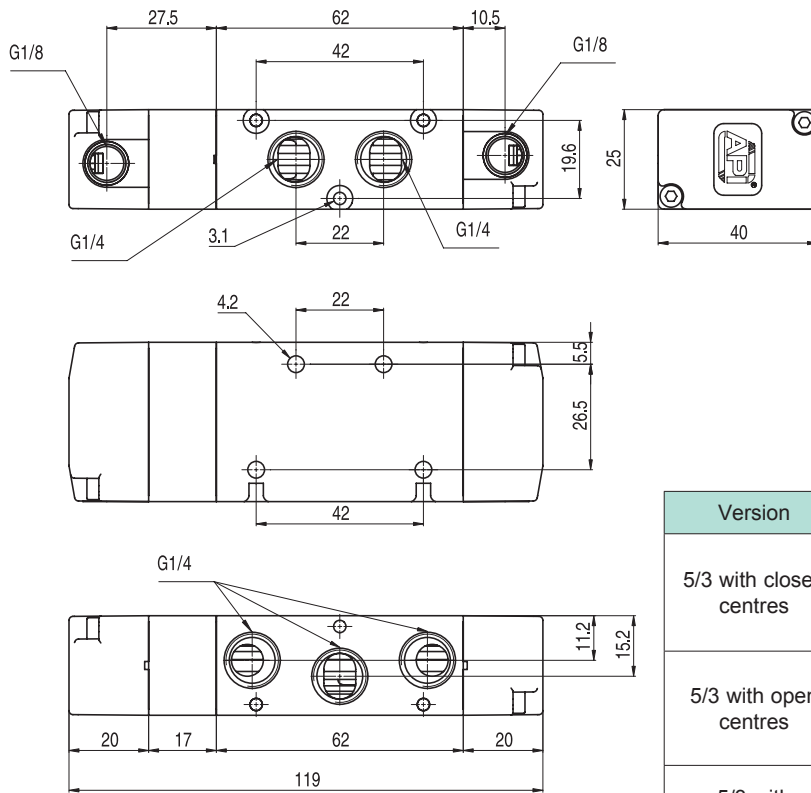
Version	Symbol	Code	Item
5/2 pilot/spring		034101	A1P250



Version	Symbol	Code	Item
5/2 pilot/pilot		034102	A1P251
5/2 pilot/pilot differential		034056	A1P252

Valves series A1

1/4", 5/2 - 5/3, pneumatically operated



Version	Symbol	Code	Item
5/3 with closed centres		034029	A1P270
5/3 with open centres		034030	A1P271
5/3 with pressurised centres		034028	A1P272

2