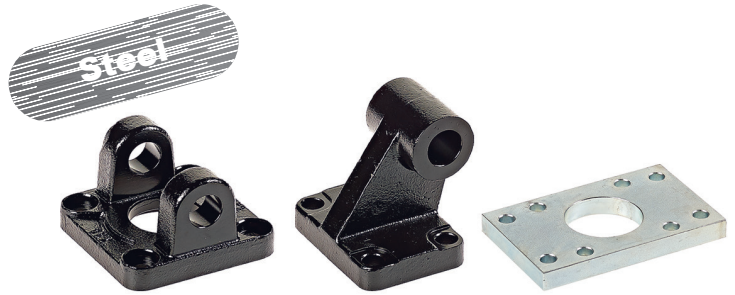


# Mounting Accessories for Cylinders

## Mounting for ISO 15552 in steel

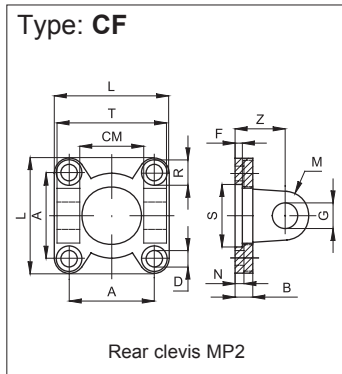


| Standard executions                                |      |                 |
|--|------|-----------------|
| Version  | Sym. | Type            |
| Rear clevis  |      | CF..AQIS        |
| Rear eye   |      | CM..AQIS        |
| Rear 90° hinge<br>CETOP RP 107P                    |      | ASV..AQIS       |
| Pin with rear clevis MP2<br>with seeger            |      | SEC..AQIS       |
| Narrow rear clevis                                 |      | CFS..AQIS       |
| Narrow rear eye with bearing<br>DIN 648K           |      | CMS..AQIS       |
| Rear 90° hinge with bearing<br>DIN 648K            |      | ASS..AQIS       |
| Anti-rotating pin for narrow<br>rear clevis        |      | SEC..<br>ARAQIS |
| Flange ISO 6431                                    |      | FL..AQIS        |
| Flange VDMA  |      | FLV..AQIS       |
| Low foot   |      | PB..AQIS        |
| Round adjustable centre<br>trunnion (tie rod)      |      | CT..AQIS        |
| Centre trunnion<br>(profile barrel)                |      | CTS..AQIS       |
| Round centre trunnion not<br>adjustable (threaded) |      | CTN..AQIS       |
| Support for centre trunnion<br>(tie rod)           |      | ST..AQIS        |
| Front clevis                                       |      | CFA..AQIS       |
| Centre trunnion (tie rod)<br>for heads             |      | CTA..AQIS       |



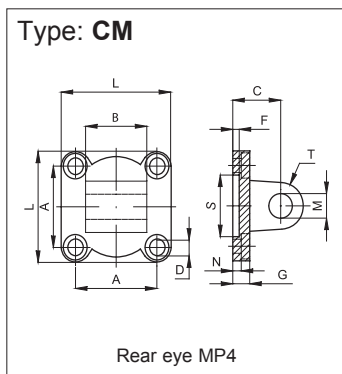
| Technical data |                          |           |       |                     |               |
|----------------|--------------------------|-----------|-------|---------------------|---------------|
| Type           | Materials and treatments |           |       |                     |               |
|                | Steel A105               | Steel AVP | Fe 37 | Black cat-aphoresis | White zinking |
| CF..AQIS       | •                        |           |       | •                   |               |
| CM..AQIS       | •                        |           |       | •                   |               |
| ASV..AQIS      | •                        |           |       | •                   |               |
| SEC..AQIS      |                          | •         |       |                     |               |
| CFS..AQIS      | •                        |           |       | •                   |               |
| CMS..AQIS      | •                        |           |       | •                   |               |
| ASS..AQIS      | •                        |           |       | •                   |               |
| SEC..ARAQIS    |                          | •         |       |                     |               |
| FL..AQIS       |                          |           | •     |                     | •             |
| FLV..AQIS      |                          |           | •     |                     | •             |
| PB..AQIS       |                          |           | •     |                     | •             |
| CT..AQIS       | •                        |           |       |                     | •             |
| CTS..AQIS      | •                        |           |       |                     | •             |
| CTN..AQIS      | •                        |           |       |                     | •             |
| ST..AQIS       |                          |           | •     |                     | •             |
| CFA..AQIS      | •                        |           |       | •                   |               |
| CTA..AQIS      | •                        |           |       |                     | •             |

Note: The mounting screws are to be ordered separately.  
For screws see page 1.101.1.



| Code   | Item      | For cyl. Ø mm | A    | L   | D    | R  | N   | B  | S  | F | Z  | G  | M  | CM | T   | Weight (g) |
|--------|-----------|---------------|------|-----|------|----|-----|----|----|---|----|----|----|----|-----|------------|
| 040461 | CF32AQIS  | 32            | 32,5 | 45  | 6,6  | 11 | 5,5 | 10 | 30 | 5 | 22 | 10 | 10 | 26 | 45  | 138        |
| 040462 | CF40AQIS  | 40            | 38   | 55  | 6,6  | 11 | 5,5 | 10 | 35 | 5 | 25 | 12 | 12 | 28 | 52  | 230        |
| 040463 | CF50AQIS  | 50            | 46,5 | 65  | 9    | 15 | 6,5 | 10 | 40 | 5 | 27 | 12 | 12 | 32 | 60  | 338        |
| 040464 | CF63AQIS  | 63            | 56,5 | 75  | 9    | 15 | 6,5 | 12 | 45 | 5 | 32 | 16 | 16 | 40 | 70  | 540        |
| 040465 | CF80AQIS  | 80            | 72   | 95  | 11   | 18 | 10  | 14 | 45 | - | 36 | 16 | 16 | 50 | 90  | 1000       |
| 040466 | CF100AQIS | 100           | 89   | 115 | 11   | 18 | 10  | 16 | 55 | - | 41 | 20 | 20 | 60 | 110 | 1700       |
| 040467 | CF125AQIS | 125           | 110  | 140 | 13,5 | 20 | 10  | 20 | 60 | - | 50 | 25 | 25 | 70 | 130 | 3350       |
| 040468 | CF160AQIS | 160           | 140  | 180 | 18   | 26 | 10  | 20 | 65 | 7 | 55 | 30 | 25 | 90 | 170 | 5750       |
| 040469 | CF200AQIS | 200           | 175  | 220 | 18   | 26 | 11  | 20 | 75 | 7 | 60 | 30 | 25 | 90 | 170 | 8900       |

The pin has to be ordered separately: for the pin see page 1.98.2 (SEC..AQIS)



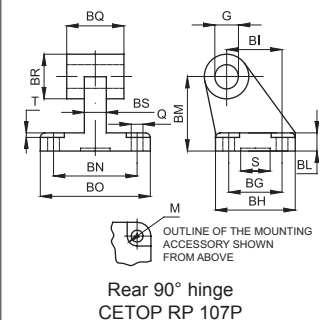
| Code   | Item      | For cyl. Ø mm | A    | L   | D    | R  | N   | G  | S  | F | C  | M  | T  | B  | Weight (g) |      |
|--------|-----------|---------------|------|-----|------|----|-----|----|----|---|----|----|----|----|------------|------|
| 040521 | CM32AQIS  | 32            | 32,5 | 45  | 6,6  | 11 | 5,5 | 10 | 30 | 5 | 22 | 10 | 10 | 26 | 176        |      |
| 040522 | CM40AQIS  | 40            | 38   | 55  | 6,6  | 11 | 5,5 | 10 | 35 | 5 | 25 | 12 | 12 | 28 | 274        |      |
| 040523 | CM50AQIS  | 50            | 46,5 | 65  | 9    | 15 | 6,5 | 10 | 40 | 5 | 27 | 12 | 12 | 32 | -0,2       | 368  |
| 040524 | CM63AQIS  | 63            | 56,5 | 75  | 9    | 15 | 6,5 | 12 | 45 | 5 | 32 | 16 | 16 | 40 | -0,6       | 682  |
| 040525 | CM80AQIS  | 80            | 72   | 95  | 11   | 18 | 10  | 14 | 45 | 5 | 36 | 16 | 16 | 50 | 1196       |      |
| 040526 | CM100AQIS | 100           | 89   | 115 | 11   | 18 | 10  | 16 | 55 | 5 | 41 | 20 | 20 | 60 | 2100       |      |
| 040527 | CM125AQIS | 125           | 110  | 140 | 13,5 | 20 | 10  | 20 | 60 | 7 | 50 | 25 | 25 | 70 | 3740       |      |
| 040528 | CM160AQIS | 160           | 140  | 180 | 18   | 26 | 10  | 20 | 65 | 7 | 55 | 30 | 25 | 90 | -0,5       | 5890 |
| 040529 | CM200AQIS | 200           | 175  | 220 | 18   | 26 | 11  | 20 | 75 | 7 | 60 | 30 | 25 | 90 | -1,2       | 8470 |

# Mounting Accessories for Cylinders

## Mounting for ISO 1552 in steel

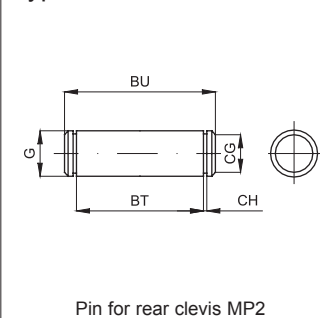


### Type: ASV



| Code   | Item       | For cyl. Ø mm | Q   | M  | BG | BH | BI | BL | BM | BN | BO  | BS | BR | BQ | G  | T   | S  | Weight (g) |
|--------|------------|---------------|-----|----|----|----|----|----|----|----|-----|----|----|----|----|-----|----|------------|
| 040381 | ASV32AQIS  | 32            | 6,6 | 11 | 18 | 31 | 21 | 8  | 32 | 38 | 51  | 10 | 20 | 26 | 10 | 1,6 | 20 | 158        |
| 040382 | ASV40AQIS  | 40            | 6,6 | 11 | 22 | 35 | 24 | 10 | 36 | 41 | 54  | 10 | 22 | 28 | 12 | 1,6 | 20 | 238        |
| 040383 | ASV50AQS   | 50            | 9   | 15 | 30 | 45 | 33 | 12 | 45 | 50 | 65  | 14 | 26 | 32 | 12 | 1,6 | 20 | 418        |
| 040384 | ASV63AQIS  | 63            | 9   | 15 | 35 | 50 | 37 | 14 | 50 | 52 | 67  | 14 | 30 | 40 | 16 | 1,6 | 20 | 526        |
| 040385 | ASV80AQIS  | 80            | 11  | 18 | 40 | 60 | 47 | 14 | 63 | 66 | 86  | 18 | 30 | 50 | 16 | 2,5 | 20 | 1055       |
| 040386 | ASV100AQIS | 100           | 11  | 18 | 50 | 70 | 55 | 17 | 71 | 76 | 96  | 20 | 38 | 60 | 20 | 2,5 | 20 | 1360       |
| 040387 | ASV125AQIS | 125           | 14  | 20 | 60 | 90 | 70 | 20 | 90 | 94 | 124 | 30 | 45 | 70 | 25 | 3,2 | -  | -          |

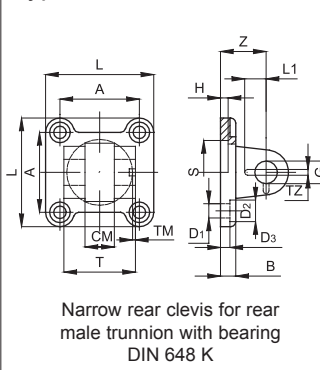
### Type: SEC



| Code   | Item       | For cyl. Ø mm | G  | BT    | CG   | CH  | BU  | Weight (g) |
|--------|------------|---------------|----|-------|------|-----|-----|------------|
| 040261 | SEC32AQIS  | 32            | 10 | 46    | 9,6  | 1,1 | 53  | 32         |
| 040262 | SEC40AQIS  | 40            | 12 | 53    | 11,5 | 1,1 | 60  | 52         |
| 040263 | SEC50AQIS  | 50            | 12 | 61    | 11,5 | 1,1 | 68  | 60         |
| 040264 | SEC63AQIS  | 63            | 16 | 71    | 15,2 | 1,1 | 78  | 122        |
| 040265 | SEC80AQIS  | 80            | 16 | 91    | 15,2 | 1,1 | 98  | 152        |
| 040266 | SEC100AQIS | 100           | 20 | 111   | 19   | 1,3 | 118 | 290        |
| 040267 | SEC125AQIS | 125           | 25 | 132   | 23,9 | 1,3 | 139 | 530        |
| 040268 | SEC160AQIS | 160           | 30 | 171,5 | 28,6 | 1,6 | 178 | 978        |
| 040269 | SEC200AQIS | 200           | 30 | 171,5 | 28,6 | 1,6 | 178 | 978        |
| 040270 | SEC250AQIS | 250           | 40 | 202   | 37,5 | 1,6 | 211 | 2100       |

It is supplied with 2 seegers included.

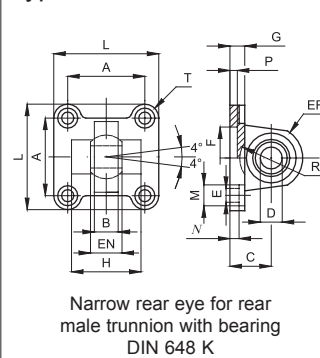
### Type: CFS



| Code   | Item       | For cyl. Ø mm | L   | T  | CM | A    | Z  | H | B  | D <sub>3</sub> | S  | G  | D <sub>1</sub> | D <sub>2</sub> | TA | TZ  | LI   | Weight (g) |
|--------|------------|---------------|-----|----|----|------|----|---|----|----------------|----|----|----------------|----------------|----|-----|------|------------|
| 040491 | CFS32AQIS  | 32            | 45  | 34 | 14 | 32,5 | 22 | 5 | 10 | 5,5            | 30 | 10 | 6,6            | 11             | 3  | 3,3 | 11,5 | 140        |
| 040492 | CFS40AQIS  | 40            | 55  | 40 | 16 | 38   | 25 | 5 | 10 | 5,5            | 35 | 12 | 6,6            | 11             | 4  | 4,3 | 12   | 230        |
| 040493 | CFS50AQIS  | 50            | 65  | 45 | 21 | 46,5 | 27 | 5 | 10 | 6,5            | 40 | 16 | 9              | 15             | 4  | 4,3 | 14   | 336        |
| 040494 | CFS63AQIS  | 63            | 75  | 51 | 21 | 56,5 | 32 | 5 | 12 | 6,5            | 45 | 16 | 9              | 15             | 4  | 4,3 | 14   | 546        |
| 040495 | CFS80AQIS  | 80            | 95  | 65 | 25 | 72   | 36 | 5 | 16 | 10             | 45 | 20 | 11             | 18             | 4  | 4,3 | 16   | 1190       |
| 040496 | CFS100AQIS | 100           | 115 | 75 | 25 | 89   | 41 | 5 | 16 | 10             | 55 | 20 | 11             | 18             | 4  | 6,3 | 16   | 1840       |
| 040497 | CFS125AQIS | 125           | 140 | 97 | 37 | 110  | 50 | 7 | 20 | 10             | 60 | 30 | 13,5           | 20             | 6  | 6,3 | 24   | 3550       |

The pin is has be ordered separately: for pins see page 1.98.3 (SEC..ARAQIS).

### Type: CMS



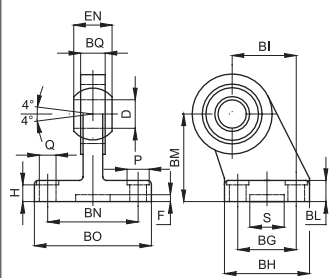
| Code   | Item       | For cyl. Ø mm | A    | B    | C  | D  | EN | ER | F  | G  | E    | L   | M    | N   | P | H  | R  | Weight (g) |
|--------|------------|---------------|------|------|----|----|----|----|----|----|------|-----|------|-----|---|----|----|------------|
| 040531 | CMS32AQIS  | 32            | 32,5 | 10,5 | 22 | 10 | 14 | 15 | 30 | 10 | 6,6  | 45  | 10,5 | 5,5 | 5 | -  | -  | 152        |
| 040532 | CMS40AQIS  | 40            | 38   | 12   | 25 | 12 | 16 | 18 | 35 | 10 | 6,6  | 55  | 11   | 5,5 | 5 | -  | -  | 256        |
| 040533 | CMS50AQIS  | 50            | 46,5 | 15   | 27 | 16 | 21 | 20 | 40 | 10 | 9    | 65  | 15   | 6,5 | 5 | 51 | 19 | 364        |
| 040534 | CMS63AQIS  | 63            | 56,5 | 15   | 32 | 16 | 21 | 23 | 45 | 12 | 9    | 75  | 15   | 6,5 | 5 | -  | -  | 595        |
| 040535 | CMS80AQIS  | 80            | 72   | 18   | 36 | 20 | 25 | 27 | 45 | 14 | 11   | 95  | 18   | 10  | 5 | -  | -  | 1122       |
| 040536 | CMS100AQIS | 100           | 89   | 18   | 41 | 20 | 25 | 30 | 55 | 16 | 11   | 115 | 18   | 10  | 5 | -  | -  | 1786       |
| 040537 | CMS125AQIS | 125           | 110  | 26   | 50 | 30 | 37 | 40 | 60 | 20 | 13,5 | 140 | 20   | 10  | 7 | -  | -  | 3500       |

# Mounting Accessories for Cylinders

## Mounting for ISO 1552 in steel



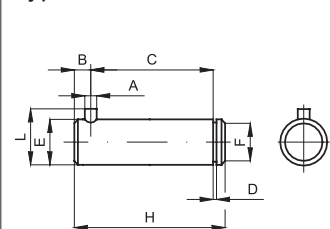
### Type: ASS



Rear 90° hinge with bearing  
DIN 648 K

| Code   | Item       | For cyl. Ø mm | Q    | M  | BG | BH | BI | BL | BM | BN | BO  | EN | ER | BQ   | D  | H    | S  | F | Weight (g) |
|--------|------------|---------------|------|----|----|----|----|----|----|----|-----|----|----|------|----|------|----|---|------------|
| 040551 | ASS32AQIS  | 32            | 6,6  | 11 | 18 | 31 | 21 | 10 | 32 | 38 | 51  | 14 | 15 | 10,5 | 10 | 8,5  | 20 | 3 | 178        |
| 040552 | ASS40AQIS  | 40            | 6,6  | 11 | 22 | 35 | 24 | 10 | 36 | 41 | 54  | 16 | 18 | 12   | 12 | 8,5  | 20 | 3 | 268        |
| 040553 | ASS50AQS   | 50            | 9    | 15 | 30 | 45 | 33 | 12 | 45 | 50 | 65  | 21 | 20 | 15   | 16 | 10,5 | 20 | 3 | 458        |
| 040554 | ASS63AQIS  | 63            | 9    | 15 | 35 | 50 | 37 | 12 | 50 | 52 | 67  | 21 | 23 | 15   | 16 | 10,5 | 20 | 3 | 550        |
| 040555 | ASS80AQIS  | 80            | 11   | 18 | 40 | 60 | 47 | 14 | 63 | 66 | 86  | 25 | 27 | 18   | 20 | 11,5 | 20 | 3 | 970        |
| 040556 | ASS100AQIS | 100           | 11   | 18 | 50 | 70 | 55 | 15 | 71 | 76 | 96  | 25 | 30 | 18   | 20 | 12,5 | 20 | 3 | 1326       |
| 040557 | ASS125AQIS | 125           | 13,5 | 20 | 60 | 90 | 70 | 20 | 90 | 94 | 124 | 37 | 40 | 25   | 30 | 17   | 20 | 3 | 3000       |

### Type: SEC - AR

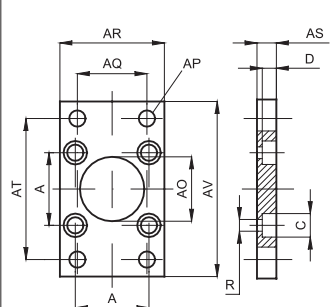


Anti-rotating pin for narrow rear clevis

| Code   | Item         | For cyl. Ø mm | A | C    | D   | E  | F    | G | H   | L  | B   | Weight (g) |     |
|--------|--------------|---------------|---|------|-----|----|------|---|-----|----|-----|------------|-----|
| 040571 | SEC32ARAQIS  | 32            | 3 | 32,5 | 1,1 | 10 | 9,6  | 4 | 41  | 14 | 4,5 | 0<br>-1    | 26  |
| 040572 | SEC40ARAQIS  | 40            | 4 | 38   | 1,1 | 12 | 11,5 | 4 | 48  | 16 | 6   |            | 42  |
| 040573 | SEC50ARAQIS  | 50            | 4 | 43   | 1,1 | 16 | 15,2 | 5 | 54  | 20 | 6   |            | 84  |
| 040574 | SEC63ARAQIS  | 63            | 4 | 49   | 1,1 | 16 | 15,2 | 5 | 60  | 20 | 6   |            | 94  |
| 040575 | SEC80ARAQIS  | 80            | 4 | 63   | 1,3 | 20 | 19   | 6 | 75  | 24 | 6   | 184        |     |
| 040576 | SEC100ARAQIS | 100           | 4 | 73   | 1,3 | 20 | 19   | 6 | 85  | 24 | 6   | 208        |     |
| 040577 | SEC125ARAQIS | 125           | 6 | 94   | 1,6 | 30 | 28,6 | 7 | 110 | 36 | 9   | 0          | 606 |
| 040578 | SEC160ARAQIS | 160           | 6 | 119  | 1,6 | 35 | 33   | 7 | 135 | 41 | 9   | -2         | 972 |
| 040579 | SEC200ARAQIS | 200           | 6 | 119  | 1,6 | 35 | 33   | 7 | 135 | 41 | 9   |            | 972 |

It is supplied with 1 seeger included.

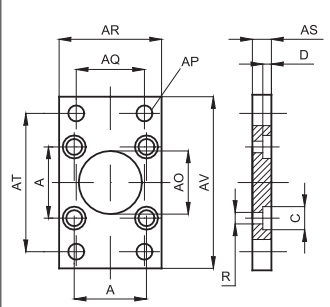
### Type: FL



Flange ISO MF1 / MF2

| Code   | Item      | For cyl. Ø mm | A    | AP Ø | AO | R    | AS | AR  | AQ  | AT  | AV  | C    | D    | Weight (g) |
|--------|-----------|---------------|------|------|----|------|----|-----|-----|-----|-----|------|------|------------|
| 040661 | FL32AQIS  | 32            | 32,5 | 7    | 30 | 6,5  | 10 | 45  | 32  | 64  | 80  | 10,5 | 6,5  | 190        |
| 040662 | FL40AQIS  | 40            | 38   | 9    | 35 | 6,5  | 10 | 52  | 36  | 72  | 90  | 10,5 | 6,5  | 246        |
| 040663 | FL50AQIS  | 50            | 46,5 | 9    | 40 | 8,5  | 12 | 65  | 45  | 90  | 110 | 13,5 | 8,5  | 478        |
| 040664 | FL63AQIS  | 63            | 56,5 | 9    | 45 | 8,5  | 12 | 75  | 50  | 100 | 120 | 13,5 | 8,5  | 622        |
| 040665 | FL80AQIS  | 80            | 72   | 12   | 45 | 10,5 | 16 | 95  | 63  | 126 | 150 | 16,5 | 10,5 | 1430       |
| 040666 | FL100AQIS | 100           | 89   | 14   | 55 | 10,5 | 16 | 115 | 75  | 150 | 170 | 16,5 | 10,5 | 1986       |
| 040667 | FL125AQIS | 125           | 110  | 16   | 60 | 13,5 | 20 | 140 | 90  | 180 | 205 | 20   | 12,5 | 3750       |
| 040668 | FL160AQIS | 160           | 140  | 18   | 65 | 17   | 20 | 180 | 115 | 230 | 260 | 25   | 16,5 | 6350       |
| 040669 | FL200AQIS | 200           | 175  | 22   | 75 | 17   | 25 | 220 | 135 | 270 | 300 | 25   | 16,5 | 11350      |
| 040670 | FL250AQIS | 250           | 220  | 26   | 90 | 22,5 | 25 | 285 | 165 | 330 | 400 | 33   | 20   | 20100      |

### Type: FLV



Flange VDMA MF1 / MF2

| Code   | Item       | For cyl. Ø mm | A    | AP Ø | AO  | R    | AS | AR  | AQ  | AT  | AV  | C    | D    | Weight (g) |
|--------|------------|---------------|------|------|-----|------|----|-----|-----|-----|-----|------|------|------------|
| 040671 | FLV32AQIS  | 32            | 32,5 | 7    | 30  | 6,6  | 10 | 45  | 32  | 64  | 80  | 10,5 | 5    | 192        |
| 040672 | FLV40AQIS  | 40            | 38   | 9    | 35  | 6,6  | 10 | 52  | 36  | 72  | 90  | 11   | 5    | 250        |
| 040673 | FLV50AQIS  | 50            | 46,5 | 9    | 40  | 9    | 12 | 65  | 45  | 90  | 110 | 15   | 5,5  | 480        |
| 040674 | FLV63AQIS  | 63            | 56,5 | 9    | 45  | 9    | 12 | 75  | 50  | 100 | 120 | 15   | 5,5  | 620        |
| 040675 | FLV80AQIS  | 80            | 72   | 12   | 45  | 11   | 16 | 95  | 63  | 126 | 150 | 18   | 8    | 1415       |
| 040676 | FLV100AQIS | 100           | 89   | 14   | 55  | 11   | 16 | 115 | 75  | 150 | 170 | 18   | 8    | 1985       |
| 040677 | FLV125AQIS | 125           | 110  | 16   | 60  | 13,5 | 20 | 140 | 90  | 180 | 205 | 20   | 9,5  | 3750       |
| 040678 | FLV160AQIS | 160           | 140  | 18   | 65  | 18   | 20 | 180 | 115 | 230 | 260 | 26   | 10,5 | 6350       |
| 040679 | FLV200AQIS | 200           | 175  | 22   | 75  | 18   | 25 | 220 | 135 | 270 | 300 | 26   | 12,5 | 11300      |
| 040680 | FLV250AQIS | 250           | 220  | 26   | 90  | 22   | 25 | 285 | 165 | 330 | 400 | 33   | 14,5 | 20150      |
| 040656 | FLV320AQIS | 320           | 270  | 33   | 110 | 26   | 30 | 350 | 200 | 400 | 470 | 39   | 15   | 34550      |

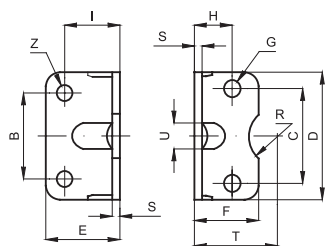
Lowered head screws type VBTR (see page 1.101.1) must be used with this mounting accessory.

# Mounting Accessories for Cylinders

## Mounting for ISO 1552 in steel



### Type: PB

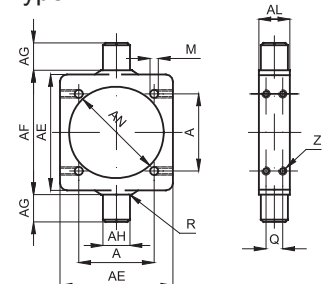


Low foot MS1

It is supplied singly.

| Code   | Item      | For cyl. Ø mm | C    | B   | D   | E   | F   | G  | H     | I  | S  | T   | R    | U  | Z  | Weight (g) |
|--------|-----------|---------------|------|-----|-----|-----|-----|----|-------|----|----|-----|------|----|----|------------|
| 040201 | PB32AQIS  | 32            | 32,5 | 32  | 45  | 35  | 30  | 7  | 15,75 | 24 | 4  | 32  | 15   | 11 | 7  | 66         |
| 040202 | PB40AQIS  | 40            | 38   | 36  | 52  | 36  | 30  | 7  | 17    | 28 | 4  | 36  | 17,5 | 15 | 9  | 78         |
| 040203 | PB50AQIS  | 50            | 46,5 | 45  | 65  | 47  | 36  | 9  | 21,75 | 32 | 5  | 45  | 20   | 16 | 9  | 168        |
| 040204 | PB63AQIS  | 63            | 56,5 | 50  | 75  | 45  | 35  | 9  | 21,75 | 32 | 5  | 50  | 22,5 | 18 | 9  | 190        |
| 040205 | PB80AQIS  | 80            | 72   | 63  | 95  | 55  | 47  | 11 | 27    | 41 | 6  | 63  | 22,5 | 17 | 12 | 382        |
| 040206 | PB100AQIS | 100           | 89   | 75  | 115 | 57  | 53  | 11 | 26,5  | 41 | 6  | 71  | 27,5 | 24 | 14 | 452        |
| 040207 | PB125AQIS | 125           | 110  | 90  | 140 | 70  | 70  | 14 | 35    | 45 | 8  | 90  | 30   | -  | 16 | 1090       |
| 040208 | PB160AQIS | 160           | 140  | 115 | 180 | 75  | 100 | 18 | 45    | 60 | 9  | 115 | 32,5 | -  | 18 | 1188       |
| 040209 | PB200AQIS | 200           | 175  | 135 | 220 | 100 | 100 | 18 | 47,5  | 70 | 12 | 135 | 37,5 | -  | 22 | 3450       |

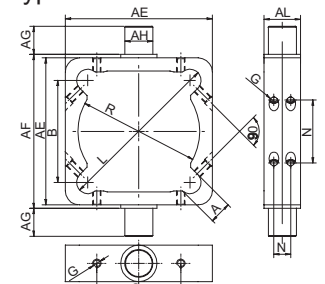
### Type: CT



Round adjustable centre trunnion (tie rod) MT4

| Code   | Item      | For cyl. Ø mm | A    | AE  | AL | AH e9 | AG h14 | AF h14 | AN  | R   | M     | Q  | Z   | Weight (g) |
|--------|-----------|---------------|------|-----|----|-------|--------|--------|-----|-----|-------|----|-----|------------|
| 040581 | CT32AQIS  | 32            | 32,5 | 46  | 15 | 12    | 12     | 50     | 37  | 1   | 6,25  | 7  | M5  | 110        |
| 040582 | CT40AQIS  | 40            | 38   | 59  | 20 | 16    | 16     | 63     | 46  | 1,5 | 6,25  | 8  | M5  | 290        |
| 040583 | CT50AQIS  | 50            | 46,5 | 69  | 20 | 16    | 16     | 75     | 56  | 1,6 | 8,25  | 8  | M6  | 330        |
| 040584 | CT63AQIS  | 63            | 56,5 | 84  | 25 | 20    | 20     | 90     | 69  | 1,6 | 8,25  | 12 | M6  | 650        |
| 040585 | CT80AQIS  | 80            | 72   | 102 | 25 | 20    | 20     | 110    | 87  | 1,6 | 10,25 | 12 | M8  | 830        |
| 040586 | CT100AQIS | 100           | 89   | 125 | 30 | 25    | 25     | 132    | 107 | 2   | 10,25 | 15 | M8  | 1560       |
| 040587 | CT125AQIS | 125           | 110  | 155 | 32 | 25    | 25     | 160    | 133 | 2   | 12,25 | 15 | M10 | 2450       |
| 040588 | CT160AQIS | 160           | 140  | 190 | 40 | 32    | 32     | 200    | 170 | 2,5 | 16,25 | 18 | M12 | 4150       |
| 040589 | CT200AQIS | 200           | 175  | 240 | 40 | 32    | 32     | 250    | 211 | 2,5 | 16,25 | 18 | M12 | 7300       |

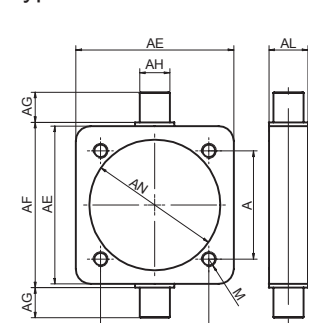
### Type: CTS



Centre trunnion (profile barrel) MT4 for cylinders AMA

| Code   | Item       | For cyl. Ø mm | B   | AE   | AL | AH e9 | AG h14 | AF h14 | R   | L     | G  | A  | M    | N  | O   | Weight (g) |
|--------|------------|---------------|-----|------|----|-------|--------|--------|-----|-------|----|----|------|----|-----|------------|
| 040601 | CTS32AQIS  | 32            | 33  | 48,5 | 18 | 12    | 12     | 50     | 37  | 57    | M5 | 11 | 15,5 | 7  | /   | 104        |
| 040602 | CTS40AQIS  | 40            | 38  | 59   | 20 | 16    | 16     | 63     | 46  | 64    | M6 | 11 | 20   | 8  | /   | 234        |
| 040603 | CTS50AQIS  | 50            | 48  | 71   | 20 | 16    | 16     | 75     | 56  | 82    | M6 | 14 | 22,5 | 8  | /   | 300        |
| 040604 | CTS63AQIS  | 63            | 58  | 84   | 26 | 20    | 20     | 90     | 69  | 96    | M6 | 14 | 30   | 12 | /   | 577        |
| 040605 | CTS80AQIS  | 80            | 73  | 105  | 26 | 20    | 20     | 110    | 87  | 119   | M6 | 16 | 45   | 12 | 58  | 858        |
| 040606 | CTS100AQIS | 100           | 91  | 129  | 32 | 25    | 25     | 132    | 107 | 144,5 | M8 | 17 | 60   | 15 | 74  | 1565       |
| 040607 | CTS125AQIS | 125           | 116 | 154  | 33 | 25    | 25     | 160    | 133 | 181   | M8 | 18 | 85,5 | 15 | 104 | 1932       |

### Type: CTN



Round centre trunnion not adjustable (threaded) MT4

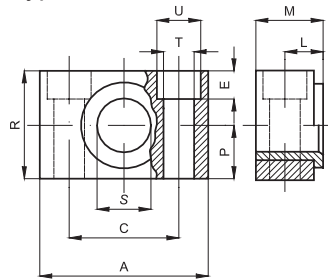
| Code   | Item       | For cyl. Ø mm | A    | AE  | AL | AH e9 | AG h14 | AF h14 | AN  | M   | Weight (g) |
|--------|------------|---------------|------|-----|----|-------|--------|--------|-----|-----|------------|
| 040052 | CTN32AQIS  | 32            | 32,5 | 46  | 15 | 12    | 12     | 50     | 37  | M6  | 110        |
| 040053 | CTN40AQIS  | 40            | 38   | 59  | 20 | 16    | 16     | 63     | 46  | M6  | 290        |
| 048590 | CTN50AQIS  | 50            | 46,5 | 69  | 20 | 16    | 16     | 75     | 56  | M8  | 330        |
| 040564 | CTN63AQIS  | 63            | 56,5 | 84  | 25 | 20    | 20     | 90     | 69  | M8  | 650        |
| 040096 | CTN80AQIS  | 80            | 72   | 102 | 25 | 20    | 20     | 110    | 87  | M10 | 830        |
| 040097 | CTN100AQIS | 100           | 89   | 125 | 30 | 25    | 25     | 132    | 107 | M10 | 1560       |
| 040098 | CTN125AQIS | 125           | 110  | 155 | 32 | 25    | 25     | 160    | 133 | M12 | 2450       |
| 040099 | CTN160AQIS | 160           | 140  | 190 | 40 | 32    | 32     | 200    | 170 | M16 | 4150       |
| 040100 | CTN200AQIS | 200           | 175  | 240 | 40 | 32    | 32     | 250    | 211 | M16 | 7300       |
| 040110 | CTN250AQIS | 250           | 220  | 296 | 50 | 40    | 40     | 320    | 268 | M20 | 13050      |
| 040590 | CTN320AQIS | 320           | 270  | 370 | 60 | 50    | 50     | 400    | 343 | M24 | -          |

# Mounting Accessories for Cylinders

## Mounting for ISO 15552 in steel



### Type: ST

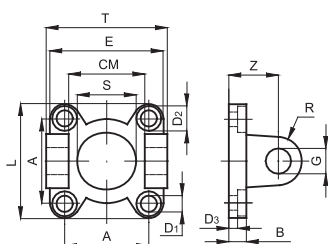


Support for centre trunnion (tie rod)

It is supplied singly.

| Code   | Item          | For cyl. Ø mm | A  | M    | R  | P  | C  | S  | L    | U  | T   | E  | Weight (g) |
|--------|---------------|---------------|----|------|----|----|----|----|------|----|-----|----|------------|
| 040681 | ST32AQIS      | 32            | 46 | 18   | 30 | 15 | 32 | 12 | 10,5 | 11 | 6,6 | 7  | 100        |
| 040682 | ST40-50AQIS   | 40-50         | 55 | 21   | 36 | 18 | 36 | 16 | 12   | 15 | 9   | 9  | 150        |
| 040684 | ST63-80AQIS   | 63-80         | 65 | 23   | 40 | 20 | 42 | 20 | 13   | 18 | 11  | 11 | 234        |
| 040686 | ST100-125AQIS | 100-125       | 75 | 28,5 | 50 | 25 | 50 | 25 | 16   | 20 | 14  | 13 | 435        |
| 040688 | ST160-200AQIS | 160-200       | 92 | 40   | 60 | 30 | 60 | 32 | 22,5 | 26 | 18  | 17 | 850        |

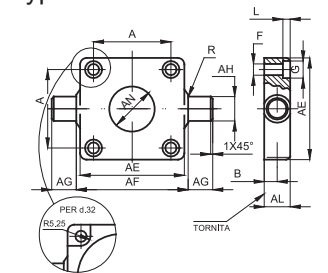
### Type: CFA



Front clevis MP7

| Code   | Item      | For cyl. Ø mm | A    | E  | D <sub>1</sub> | D <sub>2</sub> | D <sub>3</sub> | B  | S  | Z  | G  | R  | CM | T  | Weight (g) |
|--------|-----------|---------------|------|----|----------------|----------------|----------------|----|----|----|----|----|----|----|------------|
| 040611 | CFA32AQIS | 32            | 32,5 | 45 | 6,5            | 10,5           | 8              | 10 | 30 | 22 | 10 | 10 | 32 | 50 | 125        |
| 040612 | CFA40AQIS | 40            | 38   | 55 | 6,5            | 10,5           | 8              | 10 | 35 | 25 | 12 | 12 | 37 | 58 | 214        |
| 040613 | CFA50AQIS | 50            | 46,5 | 65 | 8,5            | 13,5           | 8              | 10 | 40 | 27 | 12 | 12 | 42 | 70 | 298        |
| 040614 | CFA63AQIS | 63            | 56,5 | 75 | 8,5            | 13,5           | 10             | 12 | 45 | 32 | 16 | 16 | 47 | 75 | 518        |

### Type: CTA



Centre trunnion (tie rod) for heads

| Code   | Item       | For cyl. Ø mm | AE  | AL | AH | AG | AF  | AN | A    | B    | F    | G    | L  | R   | Weight (g) |
|--------|------------|---------------|-----|----|----|----|-----|----|------|------|------|------|----|-----|------------|
| 040591 | CTA32AQIS  | 32            | 46  | 14 | 12 | 12 | 50  | 30 | 32,5 | 6,5  | 6,5  | -    | 6  | 1   | 137        |
| 040592 | CTA40AQIS  | 40            | 59  | 19 | 16 | 16 | 63  | 35 | 38   | 9    | 6,5  | 10,5 | 6  | 1,6 | 385        |
| 040593 | CTA50AQIS  | 50            | 69  | 19 | 16 | 16 | 75  | 40 | 46,5 | 9    | 8,5  | 13,5 | 8  | 1,6 | 513        |
| 040594 | CTA63AQIS  | 63            | 84  | 24 | 20 | 20 | 90  | 45 | 56,5 | 11,5 | 8,5  | 13,5 | 8  | 1,6 | 1041       |
| 040595 | CTA80AQIS  | 80            | 102 | 24 | 20 | 20 | 110 | 45 | 72   | 11,5 | 10,5 | 16,5 | 10 | 1,6 | 1567       |
| 040596 | CTA100AQIS | 100           | 125 | 29 | 25 | 25 | 132 | 55 | 89   | 14   | 10,5 | 16,5 | 10 | 2   | 3000       |