

Mounting Accessories for Cylinders

Mounting for ISO 15552 in steel

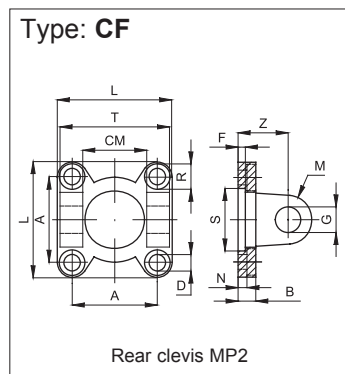


| Standard executions | | |
|--|------|-----------------|
| Version | Sym. | Type |
| Rear clevis | | CF..AQIS |
| Rear eye | | CM..AQIS |
| Rear 90° hinge CETOP RP 107P | | ASV..AQIS |
| Pin with rear clevis MP2 with seeger | | SEC..AQIS |
| Narrow rear clevis | | CFS..AQIS |
| Narrow rear eye with bearing DIN 648K | | CMS..AQIS |
| Rear 90° hinge with bearing DIN 648K | | ASS..AQIS |
| Anti-rotating pin for narrow rear clevis | | SEC.. ARAQIS |
| Flange ISO 6431 | | FL..AQIS |
| Flange VDMA | | FLV..AQIS |
| Low foot | | PB..AQIS |
| Round adjustable centre trunnion (tie rod) | | CT..AQIS |
| Centre trunnion (profile barrel) | | CTS..AQIS |
| Round centre trunnion not adjustable (threaded) | | CTN..AQIS |
| Support for centre trunnion (tie rod) | | ST..AQIS |
| Front clevis | | CFA..AQIS |
| Centre trunnion (tie rod) for heads | | CTA..AQIS |



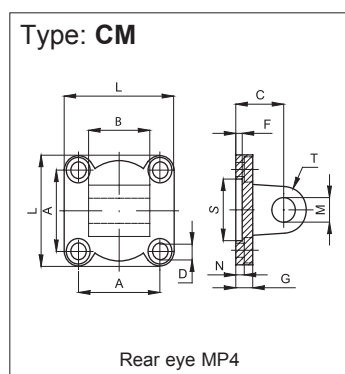
| Technical data | | | | | |
|----------------|--------------------------|--------------|-------|-------------------------|------------------|
| Type | Materials and treatments | | | | |
| | Steel A105 | Steel AVP | Fe 37 | Black cat- aphoresis | White zinking |
| CF..AQIS | • | | | • | |
| CM..AQIS | • | | | • | |
| ASV..AQIS | • | | | • | |
| SEC..AQIS | | • | | | |
| CFS..AQIS | • | | | • | |
| CMS..AQIS | • | | | • | |
| ASS..AQIS | • | | | • | |
| SEC..ARAQIS | | • | | | |
| FL..AQIS | | | • | | • |
| FLV..AQIS | | | • | | • |
| PB..AQIS | | | • | | • |
| CT..AQIS | • | | | | • |
| CTS..AQIS | • | | | | • |
| CTN..AQIS | • | | | | • |
| ST..AQIS | | | • | | • |
| CFA..AQIS | • | | | • | |
| CTA..AQIS | • | | | | • |

Note: The mounting screws are to be ordered separately.
For screws see page 1.101.1.



| Code | Item | For cyl. Ø mm | A | L | D | R | N | B | S | F | Z | G | M | CM | T | Weight (g) |
|--------|-----------|------------------|------|-----|------|----|-----|----|----|---|----|----|----|----|-----|---------------|
| 040461 | CF32AQIS | 32 | 32,5 | 45 | 6,6 | 11 | 5,5 | 10 | 30 | 5 | 22 | 10 | 10 | 26 | 45 | 138 |
| 040462 | CF40AQIS | 40 | 38 | 55 | 6,6 | 11 | 5,5 | 10 | 35 | 5 | 25 | 12 | 12 | 28 | 52 | 230 |
| 040463 | CF50AQIS | 50 | 46,5 | 65 | 9 | 15 | 6,5 | 10 | 40 | 5 | 27 | 12 | 12 | 32 | 60 | 338 |
| 040464 | CF63AQIS | 63 | 56,5 | 75 | 9 | 15 | 6,5 | 12 | 45 | 5 | 32 | 16 | 16 | 40 | 70 | 540 |
| 040465 | CF80AQIS | 80 | 72 | 95 | 11 | 18 | 10 | 14 | 45 | - | 36 | 16 | 16 | 50 | 90 | 1000 |
| 040466 | CF100AQIS | 100 | 89 | 115 | 11 | 18 | 10 | 16 | 55 | - | 41 | 20 | 20 | 60 | 110 | 1700 |
| 040467 | CF125AQIS | 125 | 110 | 140 | 13,5 | 20 | 10 | 20 | 60 | - | 50 | 25 | 25 | 70 | 130 | 3350 |
| 040468 | CF160AQIS | 160 | 140 | 180 | 18 | 26 | 10 | 20 | 65 | 7 | 55 | 30 | 25 | 90 | 170 | 5750 |
| 040469 | CF200AQIS | 200 | 175 | 220 | 18 | 26 | 11 | 20 | 75 | 7 | 60 | 30 | 25 | 90 | 170 | 8900 |

The pin has to be ordered separately: for the pin see page 1.98.2 (SEC..AQIS)



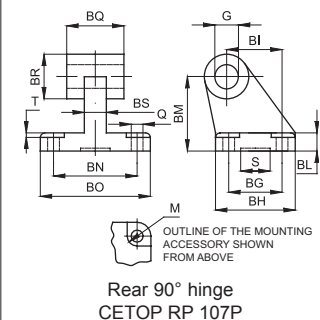
| Code | Item | For cyl. Ø mm | A | L | D | R | N | G | S | F | C | M | T | B | Weight (g) | |
|--------|-----------|------------------|------|-----|------|----|-----|----|----|---|----|----|----|----|---------------|------|
| 040521 | CM32AQIS | 32 | 32,5 | 45 | 6,6 | 11 | 5,5 | 10 | 30 | 5 | 22 | 10 | 10 | 26 | 176 | |
| 040522 | CM40AQIS | 40 | 38 | 55 | 6,6 | 11 | 5,5 | 10 | 35 | 5 | 25 | 12 | 12 | 28 | 274 | |
| 040523 | CM50AQIS | 50 | 46,5 | 65 | 9 | 15 | 6,5 | 10 | 40 | 5 | 27 | 12 | 12 | 32 | -0,2 | 368 |
| 040524 | CM63AQIS | 63 | 56,5 | 75 | 9 | 15 | 6,5 | 12 | 45 | 5 | 32 | 16 | 16 | 40 | -0,6 | 682 |
| 040525 | CM80AQIS | 80 | 72 | 95 | 11 | 18 | 10 | 14 | 45 | 5 | 36 | 16 | 16 | 50 | 1196 | |
| 040526 | CM100AQIS | 100 | 89 | 115 | 11 | 18 | 10 | 16 | 55 | 5 | 41 | 20 | 20 | 60 | 2100 | |
| 040527 | CM125AQIS | 125 | 110 | 140 | 13,5 | 20 | 10 | 20 | 60 | 7 | 50 | 25 | 25 | 70 | 3740 | |
| 040528 | CM160AQIS | 160 | 140 | 180 | 18 | 26 | 10 | 20 | 65 | 7 | 55 | 30 | 25 | 90 | -0,5 | 5890 |
| 040529 | CM200AQIS | 200 | 175 | 220 | 18 | 26 | 11 | 20 | 75 | 7 | 60 | 30 | 25 | 90 | -1,2 | 8470 |

Mounting Accessories for Cylinders

Mounting for ISO 1552 in steel

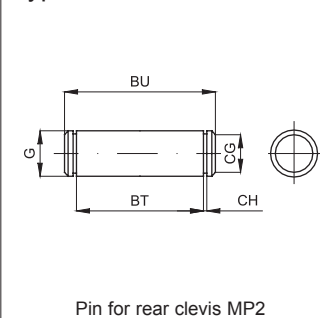


Type: ASV



| Code | Item | For cyl. Ø mm | Q | M | BG | BH | BI | BL | BM | BN | BO | BS | BR | BQ | G | T | S | Weight (g) |
|--------|------------|---------------|-----|----|----|----|----|----|----|----|-----|----|----|----|----|-----|----|------------|
| 040381 | ASV32AQIS | 32 | 6,6 | 11 | 18 | 31 | 21 | 8 | 32 | 38 | 51 | 10 | 20 | 26 | 10 | 1,6 | 20 | 158 |
| 040382 | ASV40AQIS | 40 | 6,6 | 11 | 22 | 35 | 24 | 10 | 36 | 41 | 54 | 10 | 22 | 28 | 12 | 1,6 | 20 | 238 |
| 040383 | ASV50AQS | 50 | 9 | 15 | 30 | 45 | 33 | 12 | 45 | 50 | 65 | 14 | 26 | 32 | 12 | 1,6 | 20 | 418 |
| 040384 | ASV63AQIS | 63 | 9 | 15 | 35 | 50 | 37 | 14 | 50 | 52 | 67 | 14 | 30 | 40 | 16 | 1,6 | 20 | 526 |
| 040385 | ASV80AQIS | 80 | 11 | 18 | 40 | 60 | 47 | 14 | 63 | 66 | 86 | 18 | 30 | 50 | 16 | 2,5 | 20 | 1055 |
| 040386 | ASV100AQIS | 100 | 11 | 18 | 50 | 70 | 55 | 17 | 71 | 76 | 96 | 20 | 38 | 60 | 20 | 2,5 | 20 | 1360 |
| 040387 | ASV125AQIS | 125 | 14 | 20 | 60 | 90 | 70 | 20 | 90 | 94 | 124 | 30 | 45 | 70 | 25 | 3,2 | - | - |

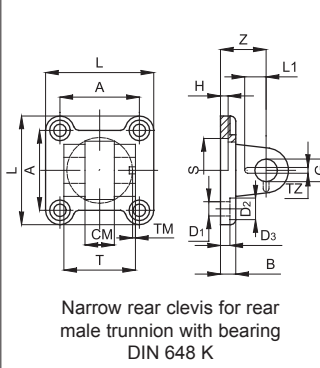
Type: SEC



| Code | Item | For cyl. Ø mm | G | BT | CG | CH | BU | Weight (g) |
|--------|------------|---------------|----|-------|------|-----|-----|------------|
| 040261 | SEC32AQIS | 32 | 10 | 46 | 9,6 | 1,1 | 53 | 32 |
| 040262 | SEC40AQIS | 40 | 12 | 53 | 11,5 | 1,1 | 60 | 52 |
| 040263 | SEC50AQIS | 50 | 12 | 61 | 11,5 | 1,1 | 68 | 60 |
| 040264 | SEC63AQIS | 63 | 16 | 71 | 15,2 | 1,1 | 78 | 122 |
| 040265 | SEC80AQIS | 80 | 16 | 91 | 15,2 | 1,1 | 98 | 152 |
| 040266 | SEC100AQIS | 100 | 20 | 111 | 19 | 1,3 | 118 | 290 |
| 040267 | SEC125AQIS | 125 | 25 | 132 | 23,9 | 1,3 | 139 | 530 |
| 040268 | SEC160AQIS | 160 | 30 | 171,5 | 28,6 | 1,6 | 178 | 978 |
| 040269 | SEC200AQIS | 200 | 30 | 171,5 | 28,6 | 1,6 | 178 | 978 |
| 040270 | SEC250AQIS | 250 | 40 | 202 | 37,5 | 1,6 | 211 | 2100 |

It is supplied with 2 seegers included.

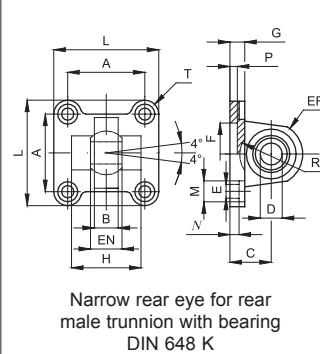
Type: CFS



| Code | Item | For cyl. Ø mm | L | T | CM | A | Z | H | B | D ₃ | S | G | D ₁ | D ₂ | TA | TZ | LI | Weight (g) |
|--------|------------|---------------|-----|----|----|------|----|---|----|----------------|----|----|----------------|----------------|----|-----|------|------------|
| 040491 | CFS32AQIS | 32 | 45 | 34 | 14 | 32,5 | 22 | 5 | 10 | 5,5 | 30 | 10 | 6,6 | 11 | 3 | 3,3 | 11,5 | 140 |
| 040492 | CFS40AQIS | 40 | 55 | 40 | 16 | 38 | 25 | 5 | 10 | 5,5 | 35 | 12 | 6,6 | 11 | 4 | 4,3 | 12 | 230 |
| 040493 | CFS50AQIS | 50 | 65 | 45 | 21 | 46,5 | 27 | 5 | 10 | 6,5 | 40 | 16 | 9 | 15 | 4 | 4,3 | 14 | 336 |
| 040494 | CFS63AQIS | 63 | 75 | 51 | 21 | 56,5 | 32 | 5 | 12 | 6,5 | 45 | 16 | 9 | 15 | 4 | 4,3 | 14 | 546 |
| 040495 | CFS80AQIS | 80 | 95 | 65 | 25 | 72 | 36 | 5 | 16 | 10 | 45 | 20 | 11 | 18 | 4 | 4,3 | 16 | 1190 |
| 040496 | CFS100AQIS | 100 | 115 | 75 | 25 | 89 | 41 | 5 | 16 | 10 | 55 | 20 | 11 | 18 | 4 | 6,3 | 16 | 1840 |
| 040497 | CFS125AQIS | 125 | 140 | 97 | 37 | 110 | 50 | 7 | 20 | 10 | 60 | 30 | 13,5 | 20 | 6 | 6,3 | 24 | 3550 |

The pin is has be ordered separately: for pins see page 1.98.3 (SEC..ARAQIS).

Type: CMS



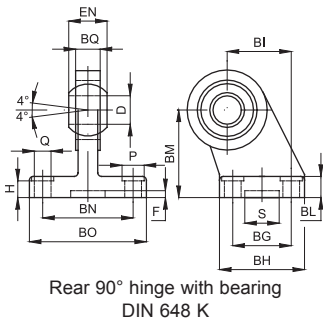
| Code | Item | For cyl. Ø mm | A | B | C | D | EN | ER | F | G | E | L | M | N | P | H | R | Weight (g) |
|--------|------------|---------------|------|------|----|----|----|----|----|----|------|-----|------|-----|---|----|----|------------|
| 040531 | CMS32AQIS | 32 | 32,5 | 10,5 | 22 | 10 | 14 | 15 | 30 | 10 | 6,6 | 45 | 10,5 | 5,5 | 5 | - | - | 152 |
| 040532 | CMS40AQIS | 40 | 38 | 12 | 25 | 12 | 16 | 18 | 35 | 10 | 6,6 | 55 | 11 | 5,5 | 5 | - | - | 256 |
| 040533 | CMS50AQIS | 50 | 46,5 | 15 | 27 | 16 | 21 | 20 | 40 | 10 | 9 | 65 | 15 | 6,5 | 5 | 51 | 19 | 364 |
| 040534 | CMS63AQIS | 63 | 56,5 | 15 | 32 | 16 | 21 | 23 | 45 | 12 | 9 | 75 | 15 | 6,5 | 5 | - | - | 595 |
| 040535 | CMS80AQIS | 80 | 72 | 18 | 36 | 20 | 25 | 27 | 45 | 14 | 11 | 95 | 18 | 10 | 5 | - | - | 1122 |
| 040536 | CMS100AQIS | 100 | 89 | 18 | 41 | 20 | 25 | 30 | 55 | 16 | 11 | 115 | 18 | 10 | 5 | - | - | 1786 |
| 040537 | CMS125AQIS | 125 | 110 | 26 | 50 | 30 | 37 | 40 | 60 | 20 | 13,5 | 140 | 20 | 10 | 7 | - | - | 3500 |

Mounting Accessories for Cylinders

Mounting for ISO 1552 in steel

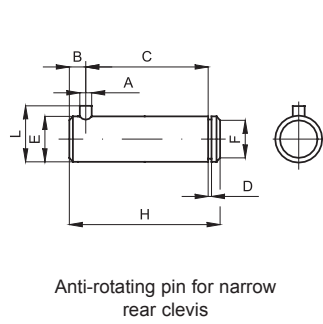


Type: ASS



| Code | Item | For cyl. Ø mm | Q | M | BG | BH | BI | BL | BM | BN | BO | EN | ER | BQ | D | H | S | F | Weight (g) |
|--------|------------|---------------|------|----|----|----|----|----|----|----|-----|----|----|------|----|------|----|---|------------|
| 040551 | ASS32AQIS | 32 | 6,6 | 11 | 18 | 31 | 21 | 10 | 32 | 38 | 51 | 14 | 15 | 10,5 | 10 | 8,5 | 20 | 3 | 178 |
| 040552 | ASS40AQIS | 40 | 6,6 | 11 | 22 | 35 | 24 | 10 | 36 | 41 | 54 | 16 | 18 | 12 | 12 | 8,5 | 20 | 3 | 268 |
| 040553 | ASS50AQS | 50 | 9 | 15 | 30 | 45 | 33 | 12 | 45 | 50 | 65 | 21 | 20 | 15 | 16 | 10,5 | 20 | 3 | 458 |
| 040554 | ASS63AQIS | 63 | 9 | 15 | 35 | 50 | 37 | 12 | 50 | 52 | 67 | 21 | 23 | 15 | 16 | 10,5 | 20 | 3 | 550 |
| 040555 | ASS80AQIS | 80 | 11 | 18 | 40 | 60 | 47 | 14 | 63 | 66 | 86 | 25 | 27 | 18 | 20 | 11,5 | 20 | 3 | 970 |
| 040556 | ASS100AQIS | 100 | 11 | 18 | 50 | 70 | 55 | 15 | 71 | 76 | 96 | 25 | 30 | 18 | 20 | 12,5 | 20 | 3 | 1326 |
| 040557 | ASS125AQIS | 125 | 13,5 | 20 | 60 | 90 | 70 | 20 | 90 | 94 | 124 | 37 | 40 | 25 | 30 | 17 | 20 | 3 | 3000 |

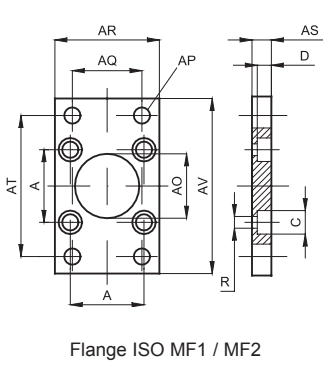
Type: SEC - AR



| Code | Item | For cyl. Ø mm | A | C | D | E | F | G | H | L | B | Weight (g) | |
|--------|--------------|---------------|---|------|-----|----|------|---|-----|----|-----|------------|-----|
| 040571 | SEC32ARAQIS | 32 | 3 | 32,5 | 1,1 | 10 | 9,6 | 4 | 41 | 14 | 4,5 | 0 -1 | 26 |
| 040572 | SEC40ARAQIS | 40 | 4 | 38 | 1,1 | 12 | 11,5 | 4 | 48 | 16 | 6 | | 42 |
| 040573 | SEC50ARAQIS | 50 | 4 | 43 | 1,1 | 16 | 15,2 | 5 | 54 | 20 | 6 | | 84 |
| 040574 | SEC63ARAQIS | 63 | 4 | 49 | 101 | 16 | 15,2 | 5 | 60 | 20 | 6 | | 94 |
| 040575 | SEC80ARAQIS | 80 | 4 | 63 | 1,3 | 20 | 19 | 6 | 75 | 24 | 6 | 184 | |
| 040576 | SEC100ARAQIS | 100 | 4 | 73 | 1,3 | 20 | 19 | 6 | 85 | 24 | 6 | 208 | |
| 040577 | SEC125ARAQIS | 125 | 6 | 94 | 1,6 | 30 | 28,6 | 7 | 110 | 36 | 9 | 0 | 606 |
| 040578 | SEC160ARAQIS | 160 | 6 | 119 | 1,6 | 35 | 33 | 7 | 135 | 41 | 9 | -2 | 972 |
| 040579 | SEC200ARAQIS | 200 | 6 | 119 | 1,6 | 35 | 33 | 7 | 135 | 41 | 9 | | 972 |

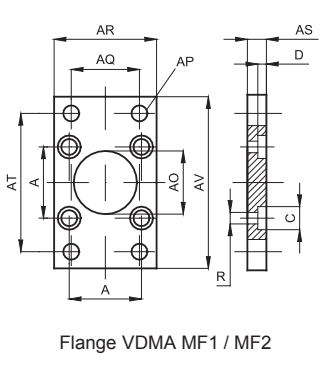
It is supplied with 1 seeger included.

Type: FL



| Code | Item | For cyl. Ø mm | A | AP Ø | AO | R | AS | AR | AQ | AT | AV | C | D | Weight (g) |
|--------|-----------|---------------|------|------|----|------|----|-----|-----|-----|-----|------|------|------------|
| 040661 | FL32AQIS | 32 | 32,5 | 7 | 30 | 6,5 | 10 | 45 | 32 | 64 | 80 | 10,5 | 6,5 | 190 |
| 040662 | FL40AQIS | 40 | 38 | 9 | 35 | 6,5 | 10 | 52 | 36 | 72 | 90 | 10,5 | 6,5 | 246 |
| 040663 | FL50AQIS | 50 | 46,5 | 9 | 40 | 8,5 | 12 | 65 | 45 | 90 | 110 | 13,5 | 8,5 | 478 |
| 040664 | FL63AQIS | 63 | 56,5 | 9 | 45 | 8,5 | 12 | 75 | 50 | 100 | 120 | 13,5 | 8,5 | 622 |
| 040665 | FL80AQIS | 80 | 72 | 12 | 45 | 10,5 | 16 | 95 | 63 | 126 | 150 | 16,5 | 10,5 | 1430 |
| 040666 | FL100AQIS | 100 | 89 | 14 | 55 | 10,5 | 16 | 115 | 75 | 150 | 170 | 16,5 | 10,5 | 1986 |
| 040667 | FL125AQIS | 125 | 110 | 16 | 60 | 13,5 | 20 | 140 | 90 | 180 | 205 | 20 | 12,5 | 3750 |
| 040668 | FL160AQIS | 160 | 140 | 18 | 65 | 17 | 20 | 180 | 115 | 230 | 260 | 25 | 16,5 | 6350 |
| 040669 | FL200AQIS | 200 | 175 | 22 | 75 | 17 | 25 | 220 | 135 | 270 | 300 | 25 | 16,5 | 11350 |
| 040670 | FL250AQIS | 250 | 220 | 26 | 90 | 22,5 | 25 | 285 | 165 | 330 | 400 | 33 | 20 | 20100 |

Type: FLV



| Code | Item | For cyl. Ø mm | A | AP Ø | AO | R | AS | AR | AQ | AT | AV | C | D | Weight (g) |
|--------|------------|---------------|------|------|-----|------|----|-----|-----|-----|-----|------|------|------------|
| 040671 | FLV32AQIS | 32 | 32,5 | 7 | 30 | 6,6 | 10 | 45 | 32 | 64 | 80 | 10,5 | 5 | 192 |
| 040672 | FLV40AQIS | 40 | 38 | 9 | 35 | 6,6 | 10 | 52 | 36 | 72 | 90 | 11 | 5 | 250 |
| 040673 | FLV50AQIS | 50 | 46,5 | 9 | 40 | 9 | 12 | 65 | 45 | 90 | 110 | 15 | 5,5 | 480 |
| 040674 | FLV63AQIS | 63 | 56,5 | 9 | 45 | 9 | 12 | 75 | 50 | 100 | 120 | 15 | 5,5 | 620 |
| 040675 | FLV80AQIS | 80 | 72 | 12 | 45 | 11 | 16 | 95 | 63 | 126 | 150 | 18 | 8 | 1415 |
| 040676 | FLV100AQIS | 100 | 89 | 14 | 55 | 11 | 16 | 115 | 75 | 150 | 170 | 18 | 8 | 1985 |
| 040677 | FLV125AQIS | 125 | 110 | 16 | 60 | 13,5 | 20 | 140 | 90 | 180 | 205 | 20 | 9,5 | 3750 |
| 040678 | FLV160AQIS | 160 | 140 | 18 | 65 | 18 | 20 | 180 | 115 | 230 | 260 | 26 | 10,5 | 6350 |
| 040679 | FLV200AQIS | 200 | 175 | 22 | 75 | 18 | 25 | 220 | 135 | 270 | 300 | 26 | 12,5 | 11300 |
| 040680 | FLV250AQIS | 250 | 220 | 26 | 90 | 22 | 25 | 285 | 165 | 330 | 400 | 33 | 14,5 | 20150 |
| 040656 | FLV320AQIS | 320 | 270 | 33 | 110 | 26 | 30 | 350 | 200 | 400 | 470 | 39 | 15 | 34550 |

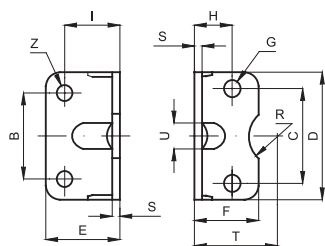
Lowered head screws type VBTR (see page 1.101.1) must be used with this mounting accessory.

Mounting Accessories for Cylinders

Mounting for ISO 1552 in steel



Type: PB

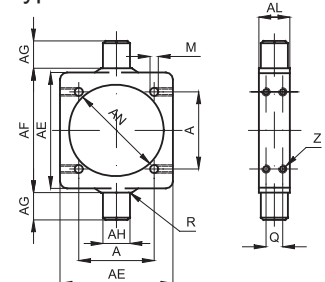


Low foot MS1

It is supplied singly.

| Code | Item | For cyl. Ø mm | C | B | D | E | F | G | H | I | S | T | R | U | Z | Weight (g) |
|--------|-----------|---------------|------|-----|-----|-----|-----|----|-------|----|----|-----|------|----|----|------------|
| 040201 | PB32AQIS | 32 | 32,5 | 32 | 45 | 35 | 30 | 7 | 15,75 | 24 | 4 | 32 | 15 | 11 | 7 | 66 |
| 040202 | PB40AQIS | 40 | 38 | 36 | 52 | 36 | 30 | 7 | 17 | 28 | 4 | 36 | 17,5 | 15 | 9 | 78 |
| 040203 | PB50AQIS | 50 | 46,5 | 45 | 65 | 47 | 36 | 9 | 21,75 | 32 | 5 | 45 | 20 | 16 | 9 | 168 |
| 040204 | PB63AQIS | 63 | 56,5 | 50 | 75 | 45 | 35 | 9 | 21,75 | 32 | 5 | 50 | 22,5 | 18 | 9 | 190 |
| 040205 | PB80AQIS | 80 | 72 | 63 | 95 | 55 | 47 | 11 | 27 | 41 | 6 | 63 | 22,5 | 17 | 12 | 382 |
| 040206 | PB100AQIS | 100 | 89 | 75 | 115 | 57 | 53 | 11 | 26,5 | 41 | 6 | 71 | 27,5 | 24 | 14 | 452 |
| 040207 | PB125AQIS | 125 | 110 | 90 | 140 | 70 | 70 | 14 | 35 | 45 | 8 | 90 | 30 | - | 16 | 1090 |
| 040208 | PB160AQIS | 160 | 140 | 115 | 180 | 75 | 100 | 18 | 45 | 60 | 9 | 115 | 32,5 | - | 18 | 1188 |
| 040209 | PB200AQIS | 200 | 175 | 135 | 220 | 100 | 100 | 18 | 47,5 | 70 | 12 | 135 | 37,5 | - | 22 | 3450 |

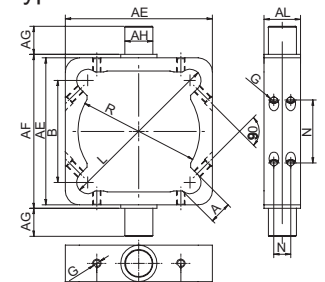
Type: CT



Round adjustable centre trunnion (tie rod) MT4

| Code | Item | For cyl. Ø mm | A | AE | AL | AH e9 | AG h14 | AF h14 | AN | R | M | Q | Z | Weight (g) |
|--------|-----------|---------------|------|-----|----|-------|--------|--------|-----|-----|-------|----|-----|------------|
| 040581 | CT32AQIS | 32 | 32,5 | 46 | 15 | 12 | 12 | 50 | 37 | 1 | 6,25 | 7 | M5 | 110 |
| 040582 | CT40AQIS | 40 | 38 | 59 | 20 | 16 | 16 | 63 | 46 | 1,5 | 6,25 | 8 | M5 | 290 |
| 040583 | CT50AQIS | 50 | 46,5 | 69 | 20 | 16 | 16 | 75 | 56 | 1,6 | 8,25 | 8 | M6 | 330 |
| 040584 | CT63AQIS | 63 | 56,5 | 84 | 25 | 20 | 20 | 90 | 69 | 1,6 | 8,25 | 12 | M6 | 650 |
| 040585 | CT80AQIS | 80 | 72 | 102 | 25 | 20 | 20 | 110 | 87 | 1,6 | 10,25 | 12 | M8 | 830 |
| 040586 | CT100AQIS | 100 | 89 | 125 | 30 | 25 | 25 | 132 | 107 | 2 | 10,25 | 15 | M8 | 1560 |
| 040587 | CT125AQIS | 125 | 110 | 155 | 32 | 25 | 25 | 160 | 133 | 2 | 12,25 | 15 | M10 | 2450 |
| 040588 | CT160AQIS | 160 | 140 | 190 | 40 | 32 | 32 | 200 | 170 | 2,5 | 16,25 | 18 | M12 | 4150 |
| 040589 | CT200AQIS | 200 | 175 | 240 | 40 | 32 | 32 | 250 | 211 | 2,5 | 16,25 | 18 | M12 | 7300 |

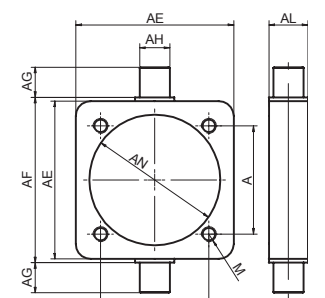
Type: CTS



Centre trunnion (profile barrel) MT4 for cylinders AMA

| Code | Item | For cyl. Ø mm | B | AE | AL | AH e9 | AG h14 | AF h14 | R | L | G | A | M | N | O | Weight (g) |
|--------|------------|---------------|-----|------|----|-------|--------|--------|-----|-------|----|----|------|----|-----|------------|
| 040601 | CTS32AQIS | 32 | 33 | 48,5 | 18 | 12 | 12 | 50 | 37 | 57 | M5 | 11 | 15,5 | 7 | / | 104 |
| 040602 | CTS40AQIS | 40 | 38 | 59 | 20 | 16 | 16 | 63 | 46 | 64 | M6 | 11 | 20 | 8 | / | 234 |
| 040603 | CTS50AQIS | 50 | 48 | 71 | 20 | 16 | 16 | 75 | 56 | 82 | M6 | 14 | 22,5 | 8 | / | 300 |
| 040604 | CTS63AQIS | 63 | 58 | 84 | 26 | 20 | 20 | 90 | 69 | 96 | M6 | 14 | 30 | 12 | / | 577 |
| 040605 | CTS80AQIS | 80 | 73 | 105 | 26 | 20 | 20 | 110 | 87 | 119 | M6 | 16 | 45 | 12 | 58 | 858 |
| 040606 | CTS100AQIS | 100 | 91 | 129 | 32 | 25 | 25 | 132 | 107 | 144,5 | M8 | 17 | 60 | 15 | 74 | 1565 |
| 040607 | CTS125AQIS | 125 | 116 | 154 | 33 | 25 | 25 | 160 | 133 | 181 | M8 | 18 | 85,5 | 15 | 104 | 1932 |

Type: CTN



Round centre trunnion not adjustable (threaded) MT4

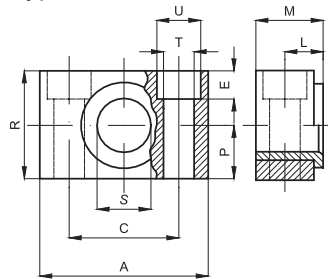
| Code | Item | For cyl. Ø mm | A | AE | AL | AH e9 | AG h14 | AF h14 | AN | M | Weight (g) |
|--------|------------|---------------|------|-----|----|-------|--------|--------|-----|-----|------------|
| 040052 | CTN32AQIS | 32 | 32,5 | 46 | 15 | 12 | 12 | 50 | 37 | M6 | 110 |
| 040053 | CTN40AQIS | 40 | 38 | 59 | 20 | 16 | 16 | 63 | 46 | M6 | 290 |
| 048590 | CTN50AQIS | 50 | 46,5 | 69 | 20 | 16 | 16 | 75 | 56 | M8 | 330 |
| 040564 | CTN63AQIS | 63 | 56,5 | 84 | 25 | 20 | 20 | 90 | 69 | M8 | 650 |
| 040096 | CTN80AQIS | 80 | 72 | 102 | 25 | 20 | 20 | 110 | 87 | M10 | 830 |
| 040097 | CTN100AQIS | 100 | 89 | 125 | 30 | 25 | 25 | 132 | 107 | M10 | 1560 |
| 040098 | CTN125AQIS | 125 | 110 | 155 | 32 | 25 | 25 | 160 | 133 | M12 | 2450 |
| 040099 | CTN160AQIS | 160 | 140 | 190 | 40 | 32 | 32 | 200 | 170 | M16 | 4150 |
| 040100 | CTN200AQIS | 200 | 175 | 240 | 40 | 32 | 32 | 250 | 211 | M16 | 7300 |
| 040110 | CTN250AQIS | 250 | 220 | 296 | 50 | 40 | 40 | 320 | 268 | M20 | 13050 |
| 040590 | CTN320AQIS | 320 | 270 | 370 | 60 | 50 | 50 | 400 | 343 | M24 | - |

Mounting Accessories for Cylinders

Mounting for ISO 15552 in steel



Type: ST

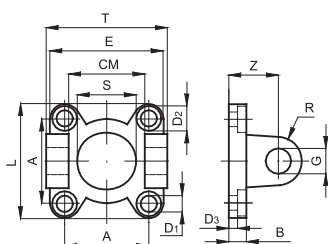


Support for centre trunnion (tie rod)

It is supplied singly.

| Code | Item | For cyl. Ø mm | A | M | R | P | C | S | L | U | T | E | Weight (g) |
|--------|---------------|---------------|----|------|----|----|----|----|------|----|-----|----|------------|
| 040681 | ST32AQIS | 32 | 46 | 18 | 30 | 15 | 32 | 12 | 10,5 | 11 | 6,6 | 7 | 100 |
| 040682 | ST40-50AQIS | 40-50 | 55 | 21 | 36 | 18 | 36 | 16 | 12 | 15 | 9 | 9 | 150 |
| 040684 | ST63-80AQIS | 63-80 | 65 | 23 | 40 | 20 | 42 | 20 | 13 | 18 | 11 | 11 | 234 |
| 040686 | ST100-125AQIS | 100-125 | 75 | 28,5 | 50 | 25 | 50 | 25 | 16 | 20 | 14 | 13 | 435 |
| 040688 | ST160-200AQIS | 160-200 | 92 | 40 | 60 | 30 | 60 | 32 | 22,5 | 26 | 18 | 17 | 850 |

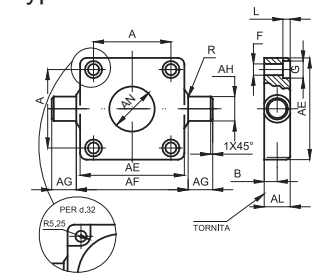
Type: CFA



Front clevis MP7

| Code | Item | For cyl. Ø mm | A | E | D ₁ | D ₂ | D ₃ | B | S | Z | G | R | CM | T | Weight (g) |
|--------|-----------|---------------|------|----|----------------|----------------|----------------|----|----|----|----|----|----|----|------------|
| 040611 | CFA32AQIS | 32 | 32,5 | 45 | 6,5 | 10,5 | 8 | 10 | 30 | 22 | 10 | 10 | 32 | 50 | 125 |
| 040612 | CFA40AQIS | 40 | 38 | 55 | 6,5 | 10,5 | 8 | 10 | 35 | 25 | 12 | 12 | 37 | 58 | 214 |
| 040613 | CFA50AQIS | 50 | 46,5 | 65 | 8,5 | 13,5 | 8 | 10 | 40 | 27 | 12 | 12 | 42 | 70 | 298 |
| 040614 | CFA63AQIS | 63 | 56,5 | 75 | 8,5 | 13,5 | 10 | 12 | 45 | 32 | 16 | 16 | 47 | 75 | 518 |

Type: CTA



Centre trunnion (tie rod) for heads

| Code | Item | For cyl. Ø mm | AE | AL | AH | AG | AF | AN | A | B | F | G | L | R | Weight (g) |
|--------|------------|---------------|-----|----|----|----|-----|----|------|------|------|------|----|-----|------------|
| 040591 | CTA32AQIS | 32 | 46 | 14 | 12 | 12 | 50 | 30 | 32,5 | 6,5 | 6,5 | - | 6 | 1 | 137 |
| 040592 | CTA40AQIS | 40 | 59 | 19 | 16 | 16 | 63 | 35 | 38 | 9 | 6,5 | 10,5 | 6 | 1,6 | 385 |
| 040593 | CTA50AQIS | 50 | 69 | 19 | 16 | 16 | 75 | 40 | 46,5 | 9 | 8,5 | 13,5 | 8 | 1,6 | 513 |
| 040594 | CTA63AQIS | 63 | 84 | 24 | 20 | 20 | 90 | 45 | 56,5 | 11,5 | 8,5 | 13,5 | 8 | 1,6 | 1041 |
| 040595 | CTA80AQIS | 80 | 102 | 24 | 20 | 20 | 110 | 45 | 72 | 11,5 | 10,5 | 16,5 | 10 | 1,6 | 1567 |
| 040596 | CTA100AQIS | 100 | 125 | 29 | 25 | 25 | 132 | 55 | 89 | 14 | 10,5 | 16,5 | 10 | 2 | 3000 |