

Mounting Accessories for Cylinders

Bearings - Angle articulated couplings



Standard executions		
Version	Symbol	Type
Angular		RBL

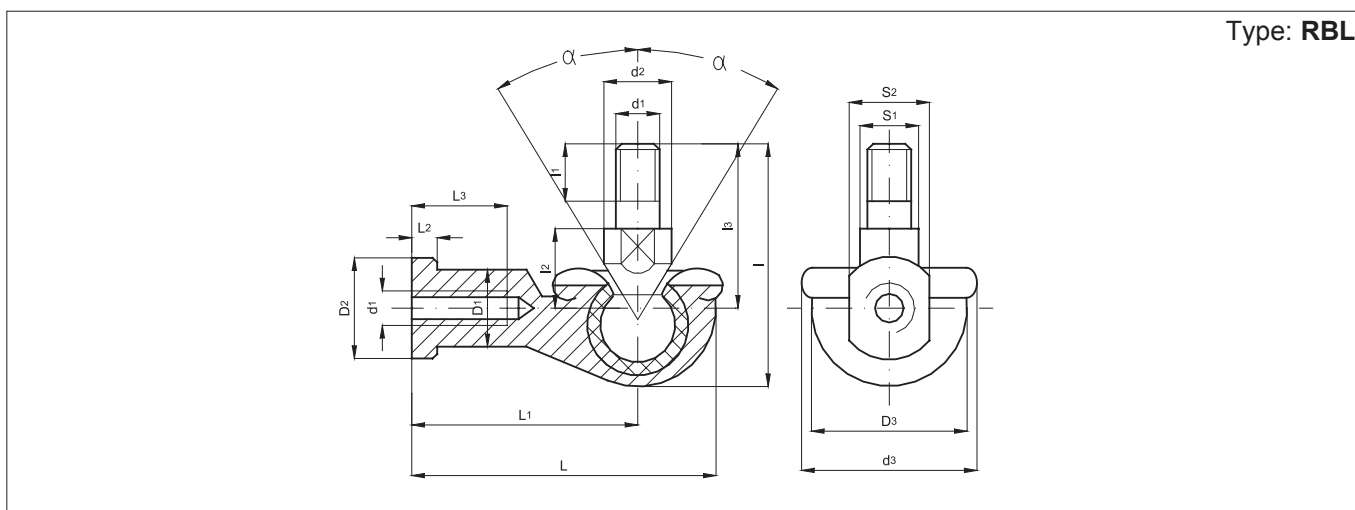


Articulated couplings with bearing and with pin perpendicular to the body.

They are mounted on the cylinder rod and allow to compensate the angular misalignment.

Options	Suffix
Special versions on request	/ S

Technical data	
Temperature range	-20 °C + +80 °C
Materials	Body: Special zinc alloy
	Pin: Zinc plated steel
	Seal: Neoprene
	Pre-lubricated spherical coupling



Code	Item	For cylin. Ø mm	d	d1	d2 min	d3 max	l max	l1 min	l2 max	l3 max	S1	L max	L1	L2 max	L3 min	D1 max	D2 max	D3 max	S2	Load (KN)		α	Weight (g)
																				Dyn.	Stat.		
041651	RBL5	*	5	M5x0,8	9	20	30	8	10	21	7	36	27	4	14	9	12	18	10	2,7	9,2	25	26
041652	RBL6	12-16	6	M6x1	10	20	36	11	11	26	8	40,5	30	5	14	10	13	20	10	3,6	12	25	39
041653	RBL8	20	8	M8x1,25	12	24	43,5	12	14	31	10	49	36	5	17	12,5	16	25	13	5,7	19	25	68
041654	RBL10	25-32	10	M10x1,25	14	30	51,5	15	17	37	11	58	43	6,5	24	15	19	29	16	8,2	27	25	112
041655	RBL12	40	12	M12x1,25	19	32	57,5	17	19	42	16	66	50	6,5	25	17,5	22	31	18	11	37	25	164
041656	RBL14	*	14	M14x1,5	19	38	73,5	22	21,5	56	16	75	57	8	26	20	25	35	21	14	48	25	254
041657	RBL16	50-63	16	M16x1,5	22	44	79,5	23	23,5	60	18	84	64	8	32	22	27	39	24	16	53	20	336
041658	RBL18	*	18	M18x1,5	25	45	90	25	26,5	68	21	93	71	10	34	25	31	44	27	18	61	20	464
041659	RBL20	80-100	20	M20x1,5	29	50	90	25	27	68	24	99	77	10	35	27,5	34	44	30	18	61	20	538
041660	RBL22	*	22	M22x1,5	29	52	95	26	28	70	24	109	84	12	41	30	37	50	30	22	75	16	713

* For cylinders not conforming to standards.