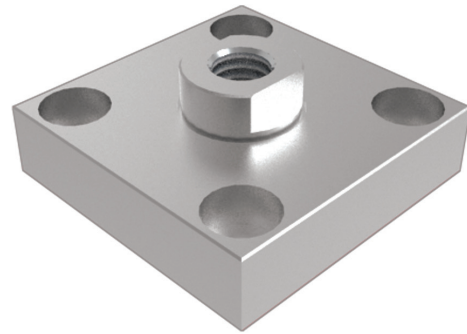


### Standard executions

Version	Symbol	Type
Self-aligning articulated couplings		GC

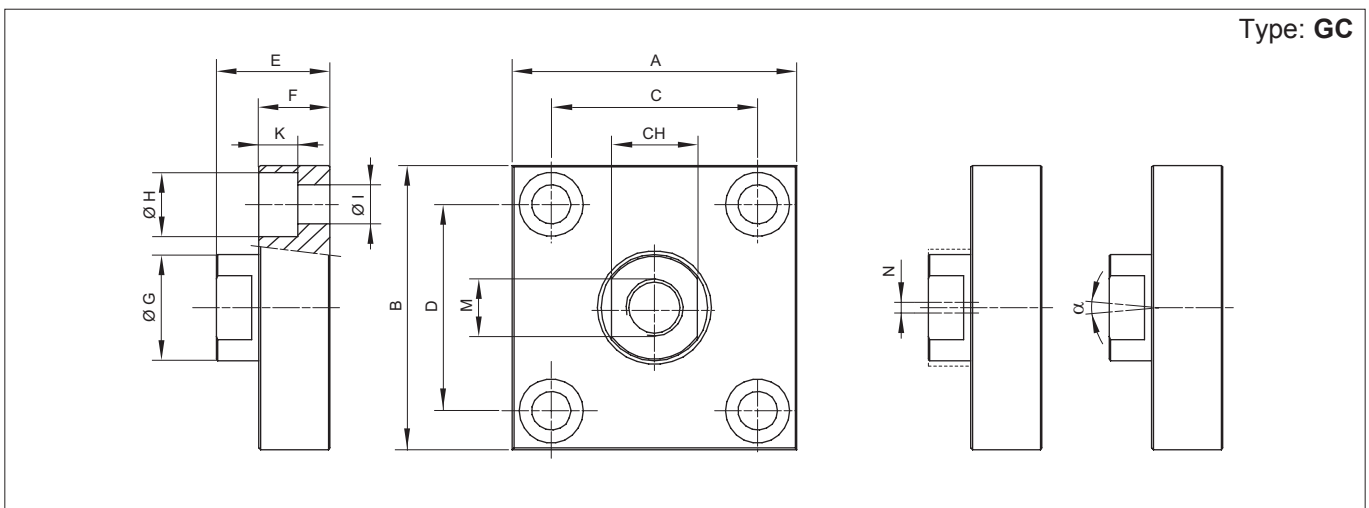


Axial self-aligning articulated couplings mounted on the cylinder rod.

They are suitable for applications with high tractions and allow to compensate the angular and parallel misalignments.

Options	Suffix
Special versions on request	/ S

Technical data	
Material	Zinc plated steel



Code	Item	A	B	C	D	CH	E	F	Ø G	Ø H	Ø I	K	M	N	α	Weight (g)
041722	GCM10x1,25	60	37	36 ±0,15	23 ±0,15	17	24	15	20	11	6,6	7	M10x1,25	2	0,4÷0,8	0,3
041723	GCM12x1,25	60	56	42 ±0,2	38 ±0,2	19	30	20	25	15	9	9	M12x1,25	2	0,4÷0,8	0,4
041724	GCM16x1,5	80	80	58 ±0,2	58 ±0,2	24	32	20	30	18	11	11	M16x1,5	2	0,4÷0,8	0,9
041725	GCM20x1,5	90	90	65 ±0,2	65 ±0,2	36	35	20	40	20	14	13	M20x1,5	2	0,4÷0,8	1,1
041726	GCM27x2	90	90	65 ±0,2	65 ±0,2	36	35	20	40	20	14	13	M27x2	2	0,4÷0,8	1,1
041727	GCM36x2	125	125	90 ±0,2	90 ±0,2	50	55	30	60	26	18	17	M36x2	3	0,4÷0,95	3,4