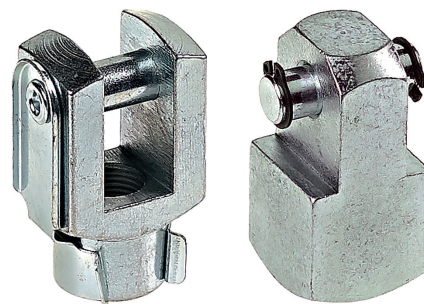


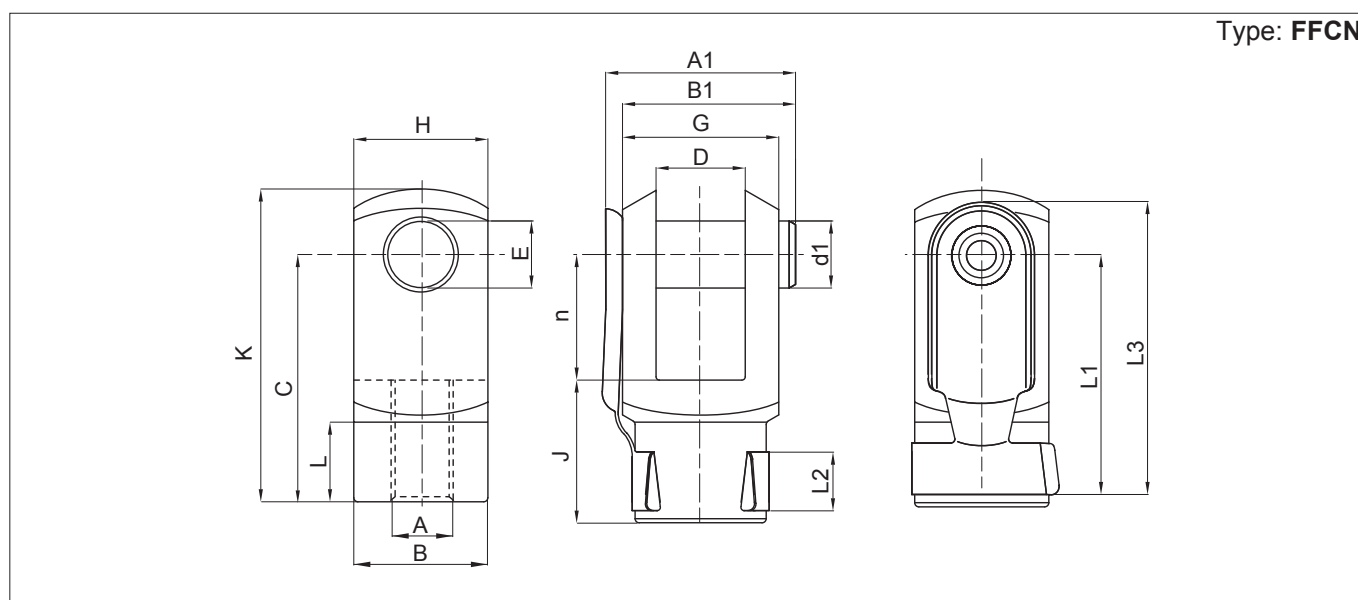
Standard executions		
Version	Symbol	Type
Female clevis		FFCN
Male clevis		FMCN



Clevis conforming to CNOMO standards.
 In the standard version the female ones are complete with clips (the model M36X2 is normally provided with a pin and 2 seegers) while the male ones are without pins or clips.
 The clevis is mounted on the cylinder rod and allows a swinging movement.

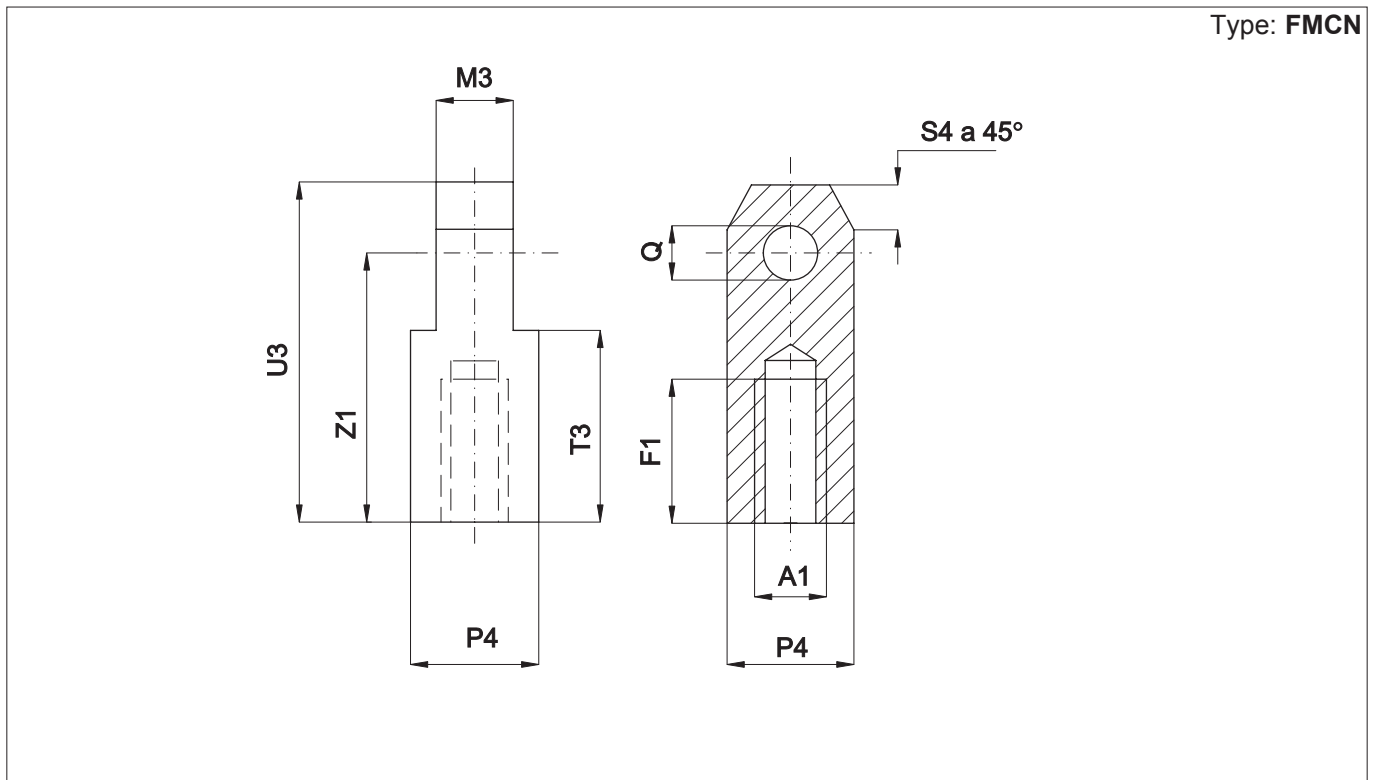
Options	Suffix
Special versions on request	/ S

Technical data	
Material	White zinc plated steel



Code	Item	For cylinder Ø mm	A	A1	B	B1	C	D _{H11}	d1 h11	E _{H8}	G	H	L1	J	L2	K	L3	L	n	Weight (g)
041081	10FFCN	32	M10x1,5	28	18	25	36	11	8	8	22	22	36	20	10	45	41	14	16	94
041082	16FFCN	40-50	M16x1,5	44	26	40	51	18	12	12	36	26	50	26	12	64	60	17	25	253
041084	20FFCN	63-80	M20x1,5	53	34	49	63	22	16	16	45	34	63	30	15	80	74	18,5	33	530
041086	27FFCN	100-125	M27x2	73	42	69	85	30	20	20	63	42	81	45	19	105	98	30	40	1110
041088	36FFCN	160-200	M36x2	-	50	-	115	40	25	25	80	50	-	75	-	140	-	45	-	2160





Code	Item	For cylinder Ø mm	A ₁	F ₁	M ₃	P ₄	Q _{h8}	S ₄	T ₃	U ₃	Z ₁
041041	10FMCN	32	M10x1,5	20	11	22	8	6	25	45	36
041042	16FMCN	40-50	M16x1,5	30	18	32	12	10	34	64	51
041044	20FMCN	63-80	M20x1,5	36	22	36	16	12	41	80	63
041046	27FMCN	100-125	M27x2	50	30	45	20	17,5	58	105	85
041048	36FMCN	160-200	M36x2	70	40	63	25	20	81	140	115