

Standard executions			
Version	Circuit	Code	Item
Reed, 2 poles, with flying lead flexible cable 2,5 mt.		070946	ASV1C525
Reed, 2 poles, with flying lead flexible cable 5 mt.		071863	ASV1C550
Reed, 2 poles, with flying lead flexible cable 10 mt.		071864	ASV1C51K
Reed, 2 poles, with M8 connector		071189	ASV1C5M8
Reed PNP, 3 poles, with flying lead flexible cable 2,5 mt.		073639	ASV4D225
Reed PNP, 3 poles, with M8 connector		070246	ASV4D2M8
Reed-Hall PNP, 3 poles, with M8 connector		070247	ASV7N2M8
Reed-Hall NPN, 3 poles, with M8 connector		070372	ASV7M2M8
Reed, NC, 2 poles, with flying lead flexible cable 2,5 mt.		072918	ASV1H525

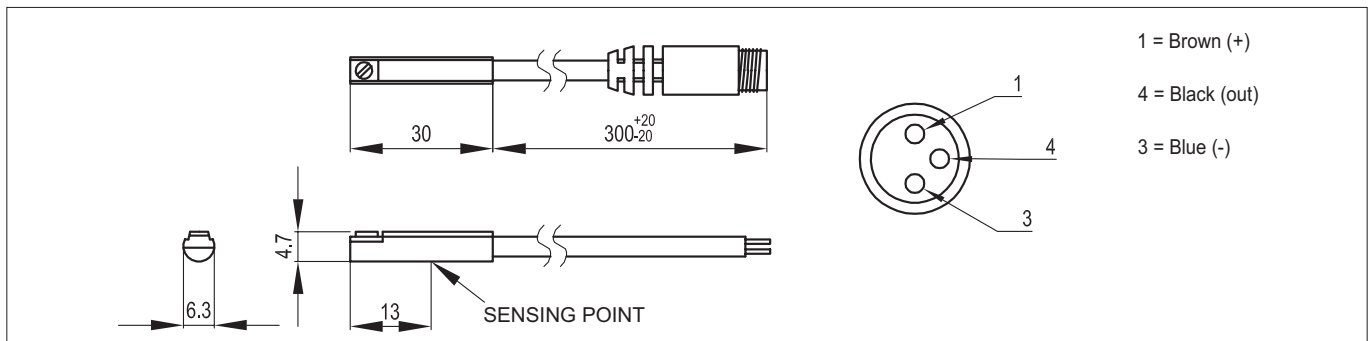


The magnetic reed switches are magnetic sensors responding to the presence of a magnetic field. When mounted on a cylinder tube they detect the presence of the magnetic field generated by the magnet set on the piston and so of the piston itself. This information is used to signal electrical circuits as required.

The sensor ASV can be applied directly to the hollows of the cylinder tube from above.

For cables with M8 connector see page 1.110.3  
 For fixing brackets see page 1.120.1  
 For coupling item / switches see pag. 1.120.5

For **ATEX** switches see page 1.110.10



Technical data					
Item	ASV1C...	ASV4D...	ASV7N2M8	ASV7M2M8	ASV1H525
Circuit	Reed, 2 poles	Reed, PNP, 3 poles	Reed-Hall, PNP, 3 poles	Reed-Hall, NPN, 3 poles	Reed, 2 poles
Switching	Normally open		Normally open, solid state output		Normally closed
Voltage	5 ÷ 240 V DC/AC		10 ÷ 30 V DC		5 ÷ 120 V DC/AC
Switching current	100 mA max				
Contact rating	10 W	3 W max			10 W
Voltage drop	3 V max	0,1 V max	2 V max		3,5 V max
LED	Red	Yellow	Yellow	Red	Yellow
Cable	Ø 3,3 PU				Ø 3 PUR
Temperature range	-10 °C ÷ +70 °C				
Protection class	IEC 529 IP67				

Standard executions			
Version	Circuit	Code	Item
Reed, 2 poles, with flying lead flexible cable 2,5 mt.		070248	ASC1C525
Reed-Hall PNP, 3 poles, with M8 connector		070249	ASC7N2M8
Reed-Hall NPN, 3 poles, with M8 connector		070382	ASC7M2M8



The magnetic reed switches are magnetic sensors responding to the presence of a magnetic field.

When mounted on a cylinder tube they detect the presence of the magnetic field generated by the magnet set on the piston and so of the piston itself.

This information is used to signal electrical circuits as required.

The sensor ASC can be applied directly to the grooves of the cylinder tube without further brackets.

For cables with M8 connector

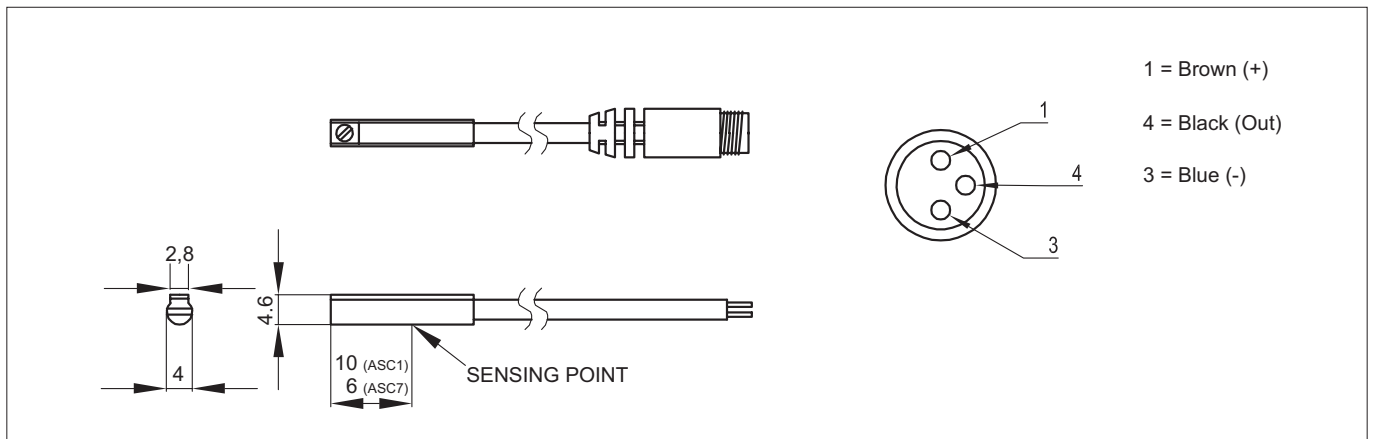
see page 1.110.3

For fixing brackets

see page 1.120.1

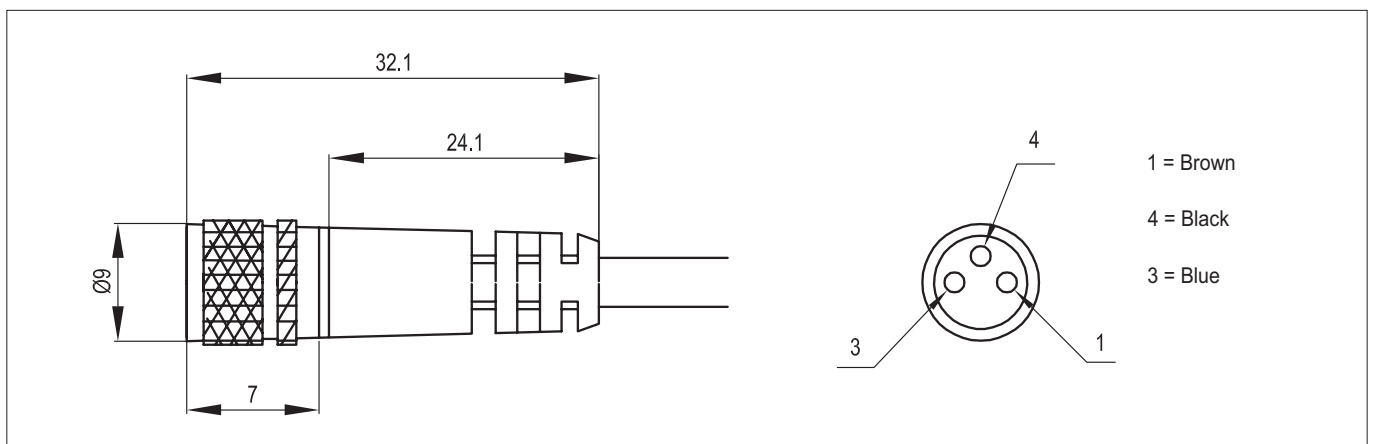
For coupling item / switches

see pag. 1.120.5



Technical data			
Circuit	Reed, 2 poles	Reed-Hall, PNP, 3 poles	Reed-Hall, NPN, 3 poles
Switching	Normally open - SPST	Normally open, solid state output	
Voltage	5 ÷ 120 V DC/AC	5 ÷ 28 V DC	
Switching current	100 mA max		
Contact rating	6 W max	3 W max	
Voltage drop	3.5 V max	0,5 V max (50 mA)	
LED	Red	Green	Red
Cable	Ø 2,8 Grey	Ø 2,8 Black	
Temperature range	-10 °C ÷ +70 °C		
Protection class	IEC 529 IP67		
Electrical protection	-	Reverse polarity -Source suppression	

Standard executions		
Version	Code	Item
Cable mt. 2 with M8 connector	070269	CAV20M8
Cable mt. 5 with M8 connector	070250	CAV50M8
Cable mt. 10 with M8 connector	070298	CAV1KM8



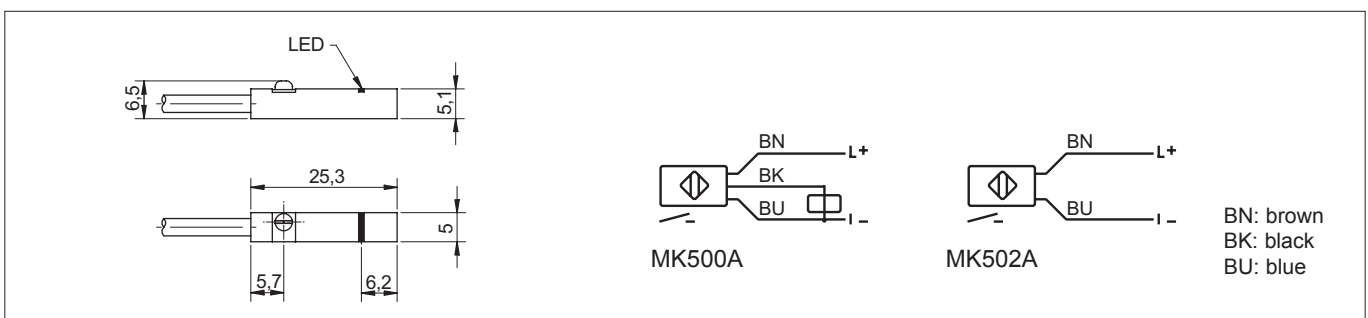
Technical data	
Material of the cable	PVC black
Material of the connector	Body: Polypropylene
	Contacts: Gilded brass
	Nut: Nickel plated brass
Cable data	3 x 24 AWG / 0,22 mm <sup>2</sup> flexible, spatter resistant, oil resistant, insulation 300 V
Temperature range	- 20 °C ÷ + 80 °C
Protection	IP 67

Standard executions				
Version	Circuit	ATEX	Code	Item
3 poles, with flying lead flexible cable 2 m.		II3D	071120	MK500A
2 poles, with flying lead flexible cable 6 m.		II1G	071108	MK502A



Series of magnetic switches conforming to  
2014/34/EU Directive - ATEX

For fixing brackets see page 1.120.1  
For coupling item / switches see pag. 1.120.5



Technical data		
Item	MK500A	MK502A
Electrical design	DC PNP	Connection to certified intrinsically safe circuits with the max. values $U = 15 \text{ V} / I = 50 \text{ mA} / P = 120 \text{ mW}$
Operating voltage	10 ÷ 30 V DC	8,2 V DC
Current consumption	≤10 mA	≥ 2,2 mA
Protection class	III	III
Reverse polarity protection	SI	-
Power-on delay time	< 30 ms	-
Output function	NO	NO
Voltage drop	< 2,5 V	-
Current rating	100 mA	-
Short-circuit protection	SI	-
Overload protection	SI	-
Switching frequency	10000 Hz	2000 Hz
Magnetic sensitivity	2,8 mT	2 mT
Travel speed	> 10 m/s	> 10 m/s
Hysteresis	< 1,5 mm	< 1 mm
Repeatability	< 0,2 mm	< 0,2 mm
Temperature	-25 °C ÷ +60 °C	-25 °C ÷ +70 °C
Protection	IP 65 / IP 67	IP 65 / IP 67
ATEX certification	II 3D Ex tc IIIC T125°C Dc X	II 1G Ex ia IIC T4 Ga II 1D Ex ia IIIC T135°C Da
Materials	PA - stainless steel	PA - stainless steel
LED	Yellow	Yellow
Cable	PVC / 2m; 3x0.14mm <sup>2</sup>	PVC / 6m; 2x0.14mm <sup>2</sup>
Weight	59 g	86 g

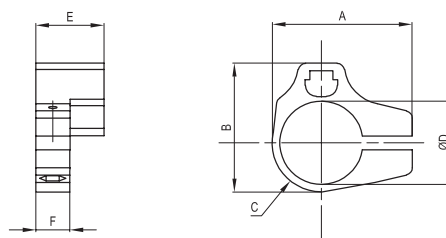
Standard executions		
Version	Code	Item
Locking band for cylinder ISO 6432 Ø 8 mm	072901	AFM8
Locking band for cylinder ISO 6432 Ø 10 mm	072902	AFM10
Locking band for cylinder ISO 6432 Ø 12 mm	072903	AFM12
Locking band for cylinder ISO 6432 Ø 16 mm	072904	AFM16
Locking band for cylinder ISO 6432 Ø 20 mm	072905	AFM20
Locking band for cylinder ISO 6432 Ø 25 mm	072906	AFM25
Locking band for round cylinders 10 ÷ 63 mm	072907	AFR1063
Bracket for AMA cylinders Ø 32 and 40 mm	072908	AS101
Bracket for AMA cylinders Ø 50 and 63 mm	072909	AS102
Bracket for AMA cylinders Ø 80 and 100 mm	072910	AS103
Bracket for AMA cylinders Ø 125 mm	072911	AS104
Bracket for tie rod cylinders Ø 32 e 40 mm	072912	AS105
Bracket for tie rod cylinders Ø 50 e 100 mm	072913	AS106
Bracket for tie rod cylinders Ø 125 mm	072909	AS102
Bracket for cylinders Ø 160 e 200 mm	072910	AS103
Bracket for tie rod cylinders Ø 250 and 320 mm	072917	AS110
Bracket for short stroke cylinders	072915	AS108
Bracket for rodless cylinders	072916	AS109



Series of brackets used to fix the different types of magnetic reed switches for the different types of existing cylinders. For the coupling / item table see page 1.120.5

Locking bands for cylinders ISO 6432							
Material: Polyamide				Mounting screw included in the Kit			

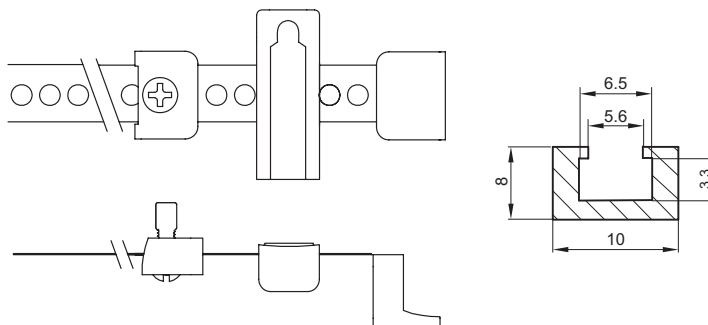
Code	Item	A	B	C	Ø D	E	F
072901	AFM8	21,4	18,9	6,45	9,3	18	9
072902	AFM10	23,4	20,9	7,45	11,3	18	9
072903	AFM12	25,4	22,9	8,45	13,3	18	9
072904	AFM16	29,4	26,9	10,45	17,3	18	9
072905	AFM20	33,4	30,9	12,45	21,3	18	9
072906	AFM25	38,4	35,9	14,95	26,3	18	9



### Locking bands for round cylinders Ø 10-63

Metal bracket, screw and adaptor included in the Kit

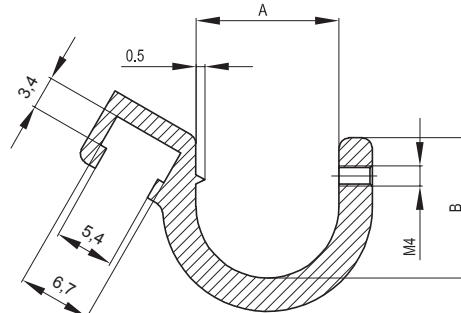
Code	Item
072907	AFR1063



### Brackets for cylinders ISO 15552

Material: Aluminium      Mounting screw included in the Kit

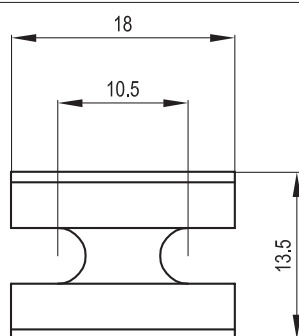
Code	Item	A	B
072908	AS101	11,5	11
072909	AS102	14,5	14
072910	AS103	16,5	20
072911	AS104	17,5	24
072912	AS105	7	8
072913	AS106	10	14
072917	AS110	24,5	21



### Brackets for short stroke cylinders

Material: Polyamide

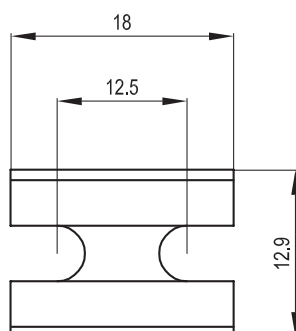
Code	Item
072915	AS108



### Brackets for rodless cylinders

Material: Polyamide

Code	Item
072916	AS109



# Switches and Brackets

## Table of coupling item / reed switches



Item	STANDARD switches		ATEX switches	
	ASV	ASC	MK500A	MK502A
MSM MDM-MDMA	■	○	■	■
AMA	▲	▲	▲	▲
AMT	■	○	■	■
REDM	■	○	■	■
CM	■	○	■	■
CIS-CI-CIN	▲	○	▲	▲
CS-CD-CDN	▲	○	▲	▲
DUM - DUMN	○	▲	○	○
BISM - BMISM BIM - BMIM	○	▲	○	○
BSM BDM - BDMN	■	○	■	■
GEDB - GEDS	○	▲	○	○
GPB - GPS	○	▲	○	○
GSB - GSS	○	▲	○	○
S1-S2-S S4-S5-S6	■	▲	■	■
CRTH - CRTHD CRTF	■	○	■	■
ARTMC - ARTMFC ARTMLC - ARTMFLC	○	▲	○	○
ARC - ARP	○	▲	○	○
PAB - PAC - PPB PPC - PPD - PPE	○	▲	○	○
MDMX - MDMAX	■	○	■	■
AMX	■	○	■	■
CIXS - CIX - CIXN	■	○	■	■

- ▲ Direct mounting
- Mounting with braket
- Not applicable

1