

Parallel Hand Grips with 3 fingers

Bores from 25 to 63 mm *Double acting*



Standard executions		
Version	Code	Item
Bore 25 mm	075053	25PPE
Bore 32 mm	075054	32PPE
Bore 40 mm	075055	40PPE
Bore 50 mm	075056	50PPE
Bore 63 mm	075057	63PPE



Series of pneumatic parallel hand grips with 3 fingers available in 5 different sizes.

They are standard magnetic with groves on the body allowing the direct mounting of magnetic reed switches.

For magnetic reed switch type ASC see from page 1.110.1.

How to order : 32PPE

32	PPE
Bore	Type

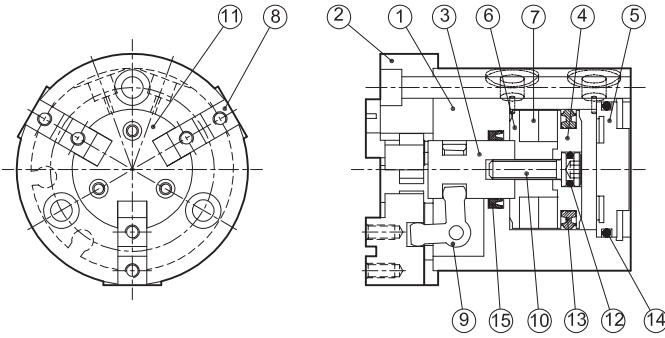
Technical data					
Type	25PPE	32PPE	40PPE	50PPE	63PPE
Fluid	Compressed filtered air with or without lubrication. Lubrication, if be used, must be continuous				
Pressure	1,5 ÷ 7 bar				
Temperature range	0 °C ÷ +80° C				
Max. operation frequency	180 cycle / min.				
Lubrication	Piston: with or without lubrication				
	Levers: lubrication is required on moving parts				
Stroke of open/close (mm)	6	8	8	12	16
Ports	M5				

Parallel Hand Grips with 3 fingers

Bores from 25 to 63 mm *Double acting*

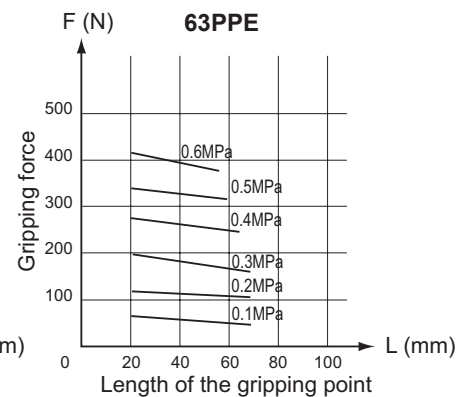
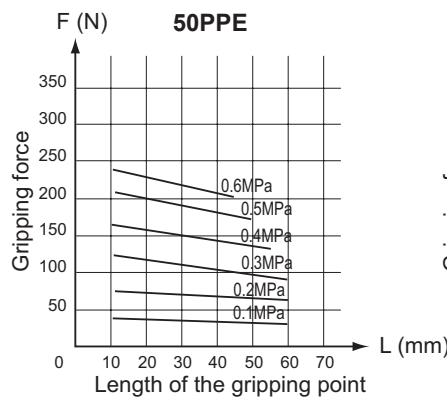
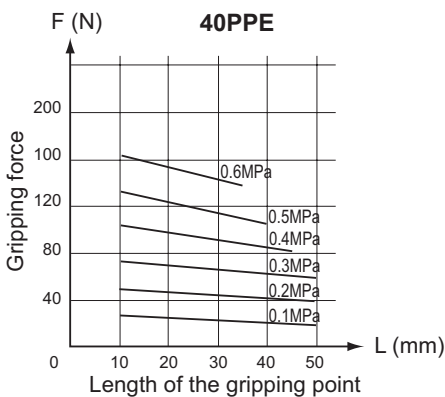
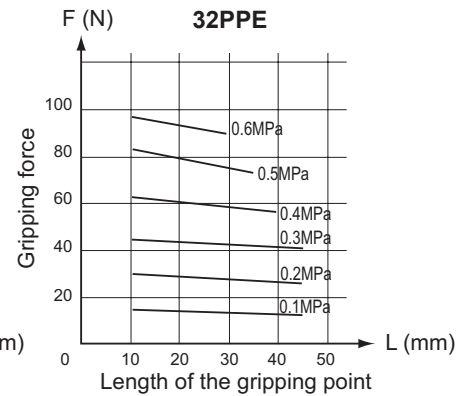
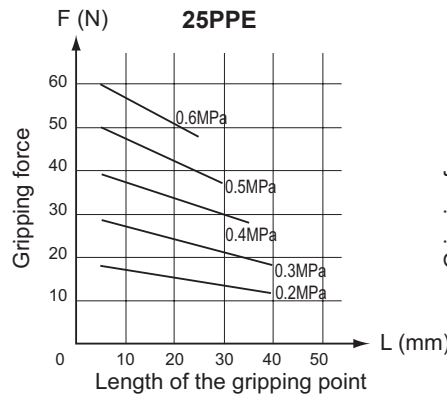
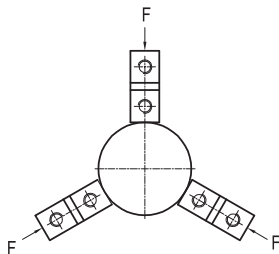
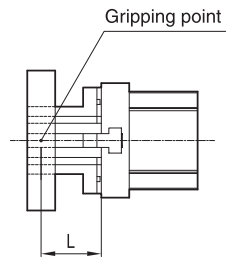
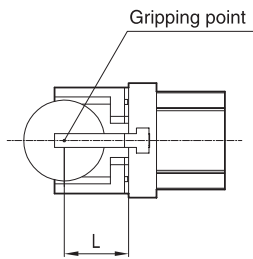


Materials



N.	Component	Material
1	Body	Aluminium
2	Front head	Aluminium
3	Piston rod	Steel
4	Piston	Aluminium
5	End cover	Aluminium
6	Magnet holder	Aluminium
7	Magnet	Plastic magnet
8	Fingers	Steel
9	Action lever	Steel
10	Screw	Stainless steel
11	Finger cover	Stainless steel
12	O-ring	NBR
13	Piston seals	NBR
14	End cover O-ring	NBR
15	Piston rod seals	NBR

Gripping forces



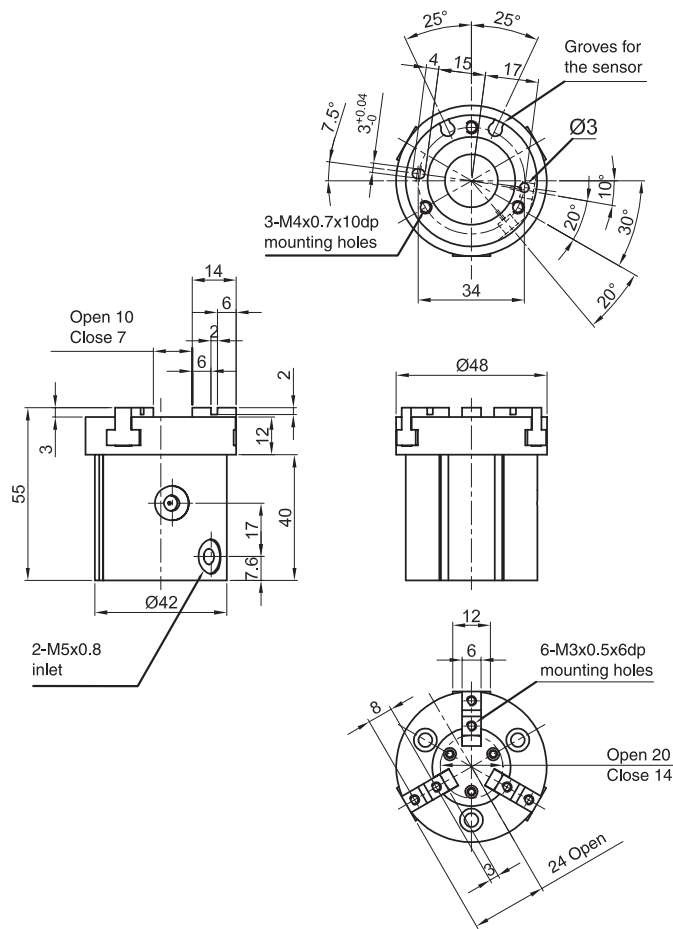
Parallel Hand Grips with 3 fingers

Bores from 25 to 63 mm

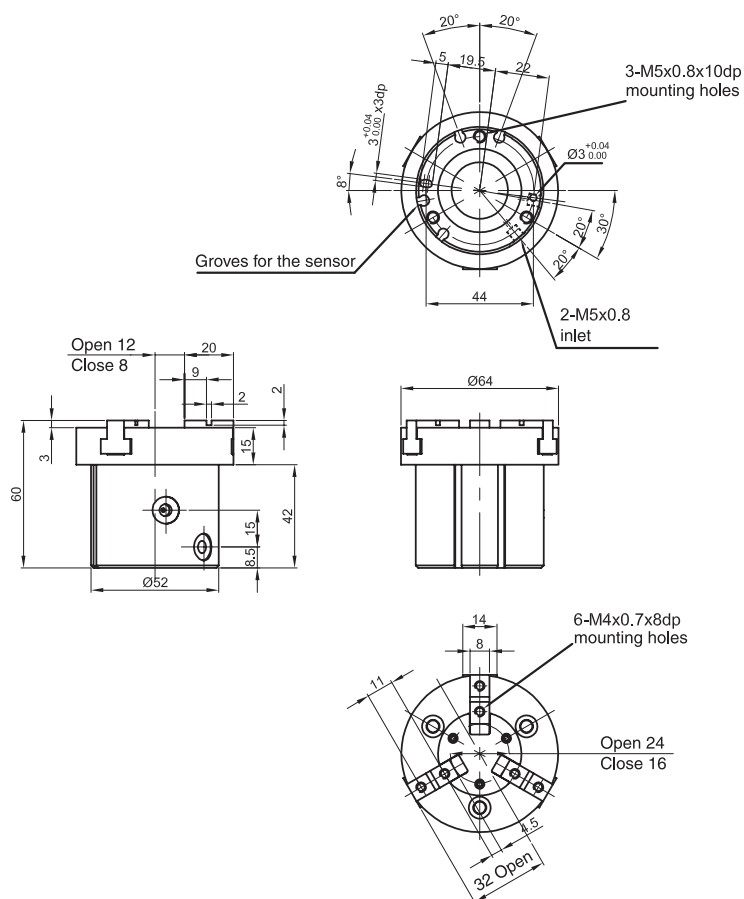
Double acting



Type: **25PPE**



Type: **32PPE**



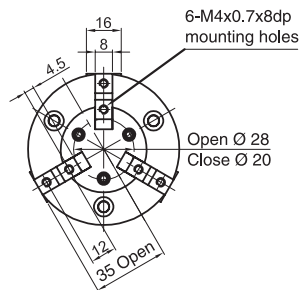
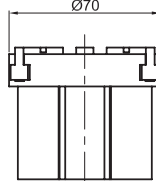
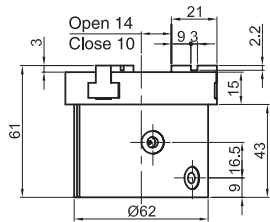
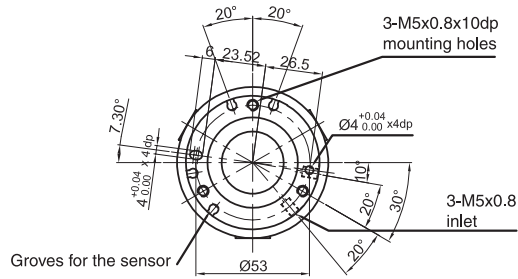
Parallel Hand Grips with 3 fingers

Bores from 25 to 63 mm

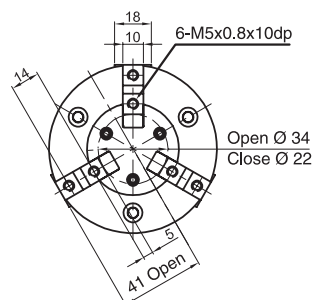
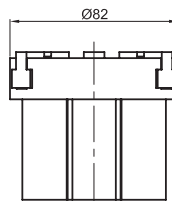
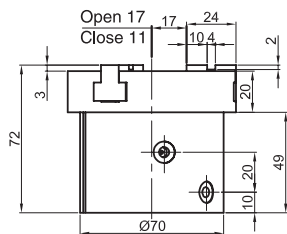
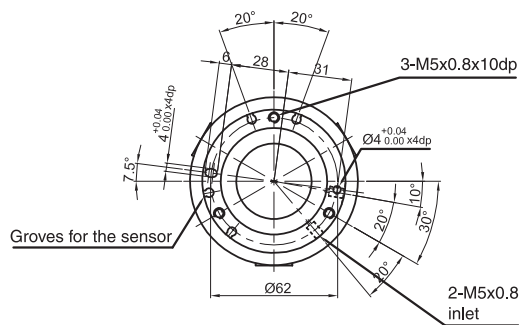
Double acting



Type: **40PPE**



Type: **50PPE**



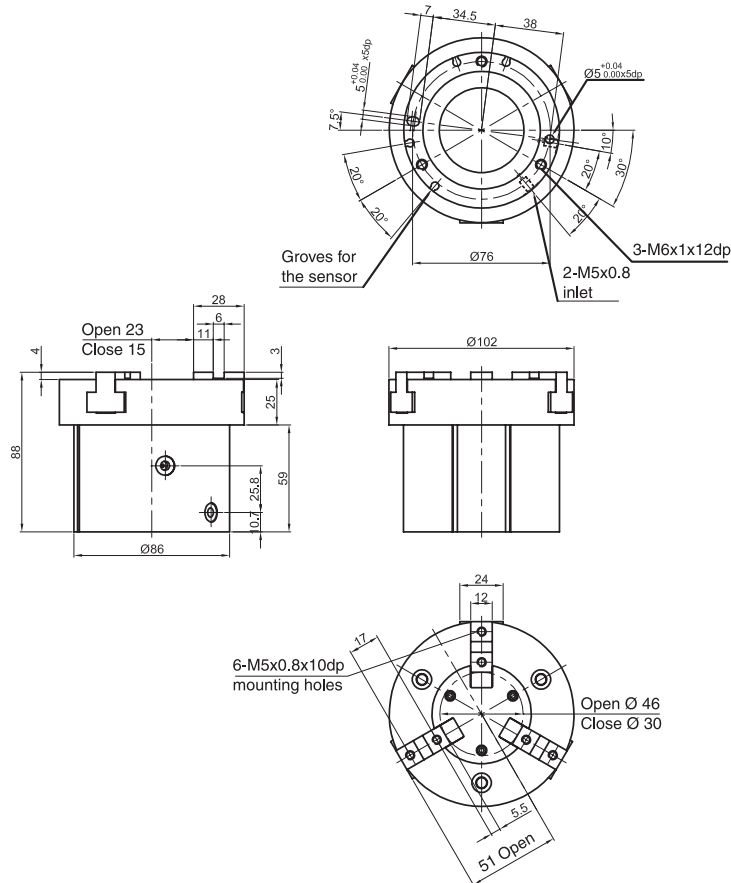
Parallel Hand Grips with 3 fingers

Bores from 25 to 63 mm

Double acting

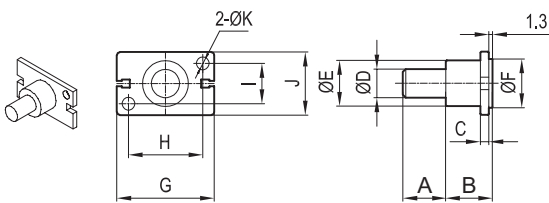


Type: **63PPE**



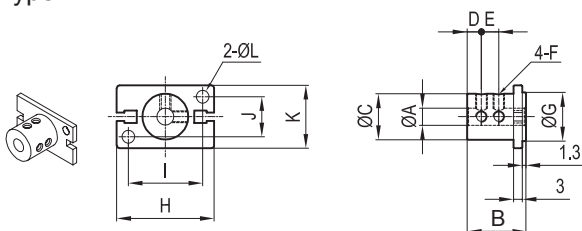
Standard executions		
Version	Code	Item
Mounting with male thread for hand grip Ø 16	075058	16PM
Mounting with male thread for hand grip Ø 20	075059	20PM
Mounting with male thread for hand grip Ø 25	075064	25PM
Mounting with male thread for hand grip Ø 32	075065	32PM
Mounting with female thread for hand grip Ø 16	075066	16PF
Mounting with female thread for hand grip Ø 20	075067	20PF
Mounting with female thread for hand grip Ø 25	075068	25PF
Mounting with female thread for hand grip Ø 32	075069	32PF

Type: PM



Item	A	B	C	D	E	F	G	H	I	J	K
16PM	15	15	3	10	16	17	34	26	14	22	4,5
20PM	15	15	3	10	18	21	45	35	16	26	5,5
25PM	25	17	5	14	26	26	52	40	20	32	6,5
32PM	25	20	6	16	30	34	60	46	26	40	6,6

Type: PF



Item	A	B	C	D	E	F	G	H	I	J	K	L
16PF	6	20,5	16	5	6	M4x0,7p	17	34	26	14	22	4,5
20PF	8	25,5	20	7	7	M4x0,7p	21	45	35	16	26	5,5
25PF	10	30,5	25	8	10	M4x0,7p	26	52	40	20	32	6,5
32PF	12	40,5	32	10	15	M4x0,7p	34	60	46	26	40	6,5