

Standard executions		
Version	Symbol	Type
Magnetic		CS



	<b>II 2Gc IIC T5</b> <b>II 2Dc T100°C</b>
--	--

On request, they can be supplied according to 2014/34/EU - **ATEX**

Options	Suffix
Rear spring	T
Seals FKM -20°C ÷ +150°C	V
Piston rod with male thread	M
Through rod	P
Special versions on request	/ S

The options can be combined (when this is possible)

Series of compact cylinders conforming to European UNITOP standards.

The new barrel has grooves allowing the mounting of the magnetic reed switch directly onto the barrel itself without further brackets; this allows the magnetic sensor not to protrude beyond the profile of the barrel.

Elastic cushioning are mounted on the piston.

Only in the version with magnetic piston.

One or more magnetic sensors can be applied.

For the magnetic reed switches type ASV see from page 1.110.1

For mounting accessories see from page 1.100.1.

For rod accessories see from page 1.85.1

How to order: 32 / 50 CST

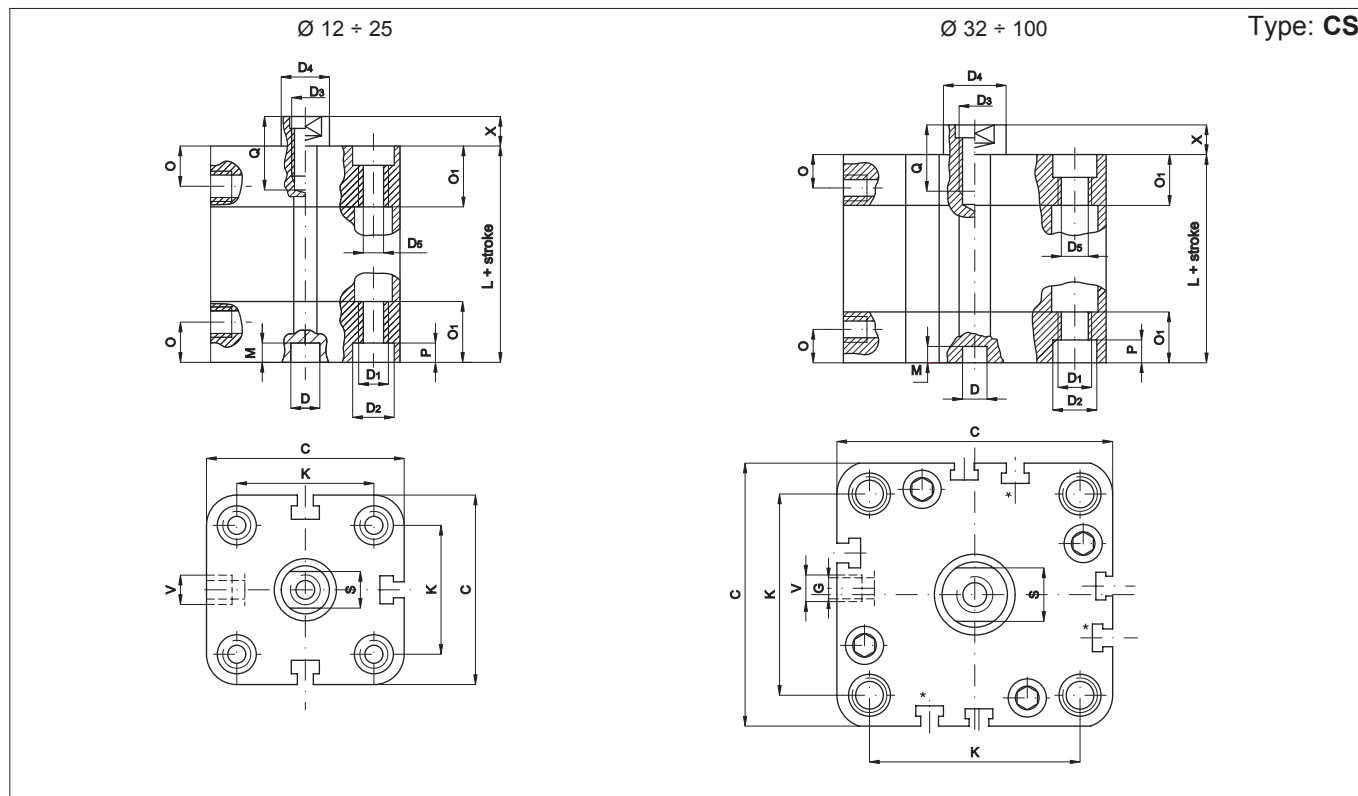
32	/	50	CS	T
Bore	/	Stroke	Type	Option

On request this series of cylinders can also be supplied with the mounting hole dimensions conforming to ISO 6431 standards, from bore 32 to 100 mm: type CSI.

For accessories see from page 1.97.1.

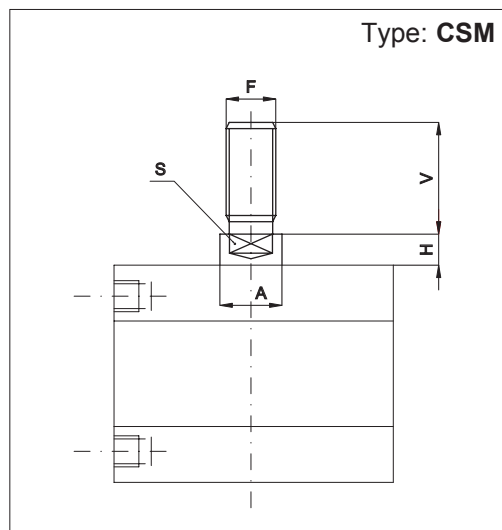
Technical data	
Fluid	Compressed filtered air with or without lubrication. Lubrication, if started, must be continued.
Pressure	2 ÷ 10 bar
Temperature range	-30°C ÷ +80°C (standard)      -20°C ÷ +150°C (V)
Materials	Heads: Anodised aluminium Tube: Anodised aluminium Rod: Stainless steel AISI 303 Seals: Polyurethane - Aluminium piston

Bore (mm)	Standard strokes (mm)	Max stroke (mm)	Thrust force at 6 bar (N)	Max traction force of the spring (N)	Number of grooves for the sensors
12	5, 10, 15, 20 25, 30, 40, 50	50	59	6	3
16			110	6	
20			177	7	
25			270	12	
32			448	16	
40			700	23	
50			1125	30	
63	10, 15, 20, 25, 30, 40, 50	50	1800	35	7
80			2900	60	
100			4510	100	



Ø mm.	C	D Ø	D <sub>1</sub> Ø	D <sub>2</sub> Ø	D <sub>3</sub> Ø	D <sub>4</sub> Ø	D <sub>5</sub> Ø	G	V	O	O <sub>1</sub>	K	S	P	M	Q	X	L*
12	29	6	M4	6	M3	6	3,3	0	M5	8	12,25	18	5	3,5	4	6	4,5	38
16	29	6	M4	6	M4	8	3,3	0	M5	8	12,25	18	6	3,5	4	8	4,5	38
20	36	6	M5	7,5	M5	10	4,2	0	M5	8	12,25	22	8	4,5	4	10	4,5	38
25	40	6	M5	7,5	M5	10	4,2	0	M5	8	12,75	26	8	4,5	4	10	5,5	39,5
32	50	6	M6	9	M6	12	5,2	4	1/8"	8	14,5	32	10	5,5	4	12	6	44,5
40	58	6	M6	9	M6	12	5,2	3	1/8"	8	14,75	42	10	5,5	4	12	6,5	45,5
50	67	6	M8	10,5	M8	16	6,7	0	1/8"	8	14,75	50	13	6,5	4	12	7,5	45,5
63	80	8	M10	13,5	M8	16	8,5	0	1/8"	8	14,25	62	13	8,5	4	14	7,5	50
80	100	8	M10	13,5	M10	20	8,5	0	1/8"	8,5	16	82	17	8,5	4	15	8	56
100	124	8	M10	13,5	M12	25	8,5	0	1/4"	10,5	19,25	103	22	8,5	4	20	10	66,5

\*From 30 mm stroke add to above dimensions: 10 mm for Ø 12-16-20, 20 mm for Ø 25-32-40-50-63, 30 mm for Ø 80-100.



Ø mm	A	V	F	S	H
12	6	16	M6	5	4,5
16	8	20	M8	6	4,5
20	10	22	M10x1,25	8	4,5
25	10	22	M10x1,25	8	5,5
32	12	22	M10x1,25	10	6
40	12	22	M10x1,25	10	6,5
50	16	24	M12x1,25	13	7,5
63	16	24	M12x1,25	13	7,5
80	20	32	M16x1,5	17	8
100	25	40	M20x1,5	22	10

### Seal kit.

Here are the quantities and the description of the components comprised in each kit.

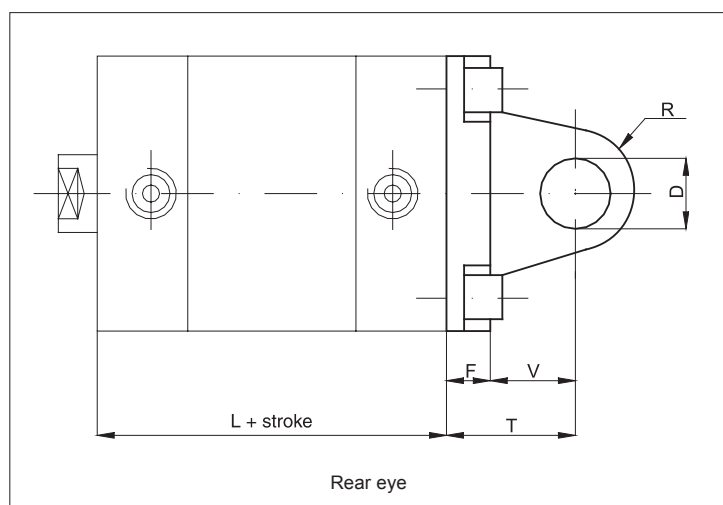
Description	N°	CS
Rod seal	1	•
Tube o-ring	2	•
Lip seal	2	•

The magnetic ring to be ordered separately.

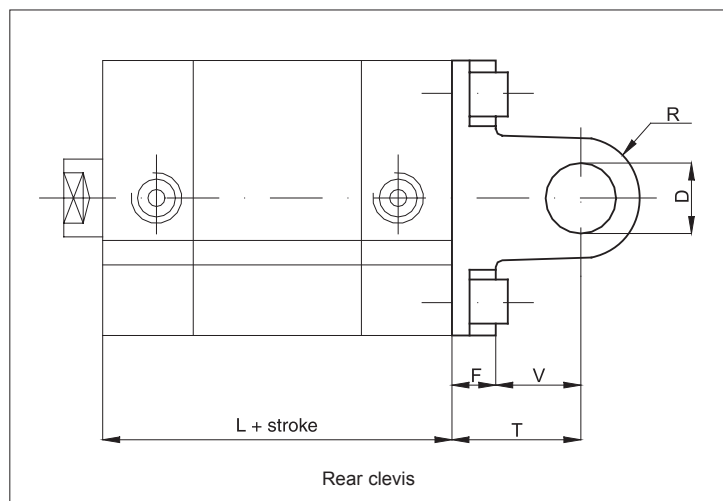
How to order: 32 / SG / CSV

32	/	SG	/	CS	V
Bore	/	Seal kit	/	Type	Option

The seal kit for the cylinders in non-standard executions is to be composed according to the option.

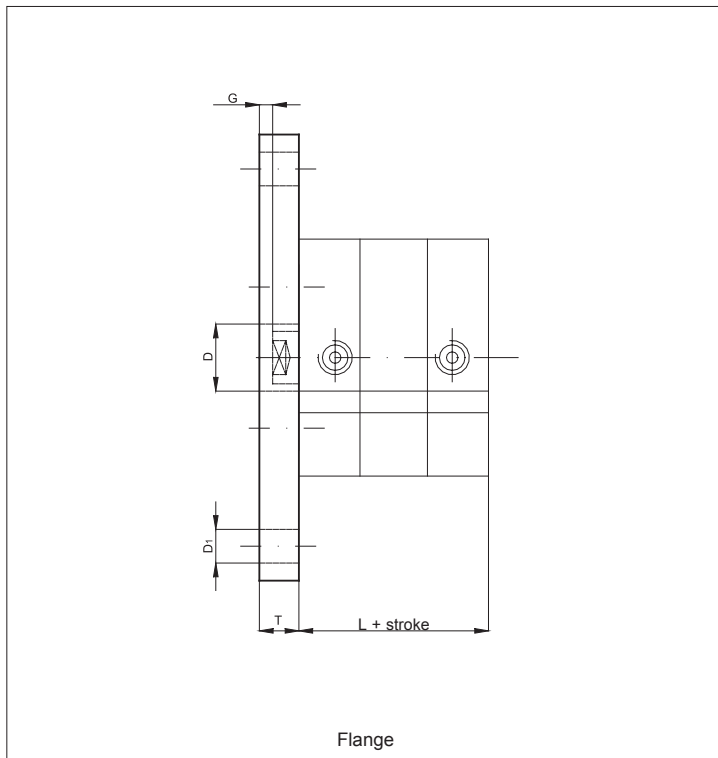


Ø mm	F	V	T	D	R	L
12	6	10	16	6	6	38
16	6	10	16	6	6	38
20	6	14	20	8	8	38
25	6	14	20	8	8	39,5

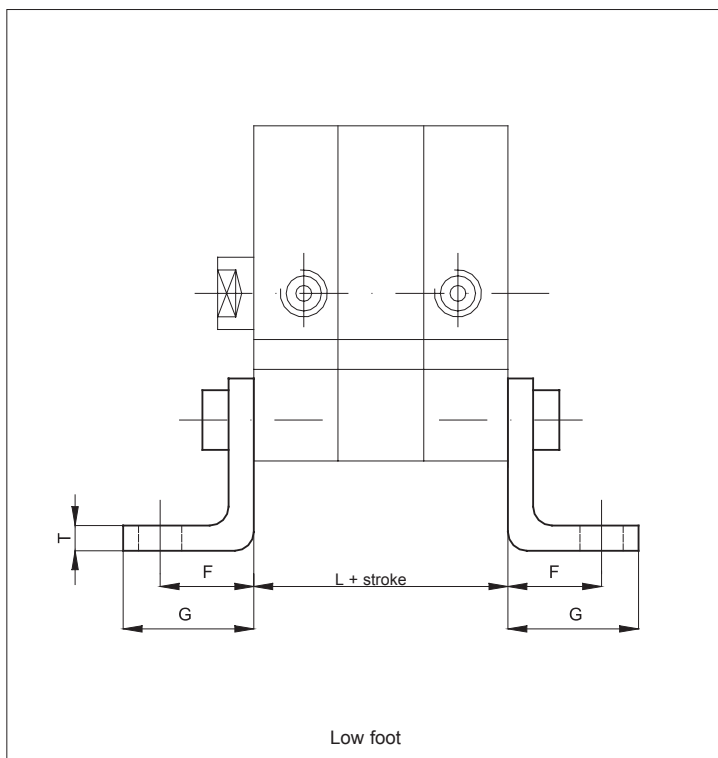


Ø mm	F	V	T	D	R	L
32	9	13	22	10	10	44,5
40	9	16	25	12	12,5	45,5
50	11	16	27	12	12,5	45,5
63	11	21	32	16	15	50
80	13	23	36	16	15	56
100	15	26	41	20	20	66,5

For dimensions and codes of the accessories see page 1.100.1.



Ø mm	G	T	D <sub>1</sub>	D	L
12	5,5	10	5,5	10	38
16	5,5	10	5,5	10	38
20	5,5	10	6,5	12	38
25	4,5	10	6,5	12	39,5
32	4	10	7	14	44,5
40	3,5	10	9	14	45,5
50	4,5	12	9	18	45,5
63	7,5	15	9	18	50
80	7	15	12	23	56
100	5	15	14	28	66,5



Ø mm	F	G	T	L
12	13	17,5	3	38
16	13	17,5	3	38
20	16	22	4	38
25	16	22	4	39,5
32	18	26	5	44,5
40	20	28	5	45,5
50	24	32	6	45,5
63	27	39	6	50
80	30	42	8	56
100	33	45	8	66,5

For dimensions and codes of the accessories see page 1.100.1.