

# Flow controls

## In-line flow restrictors



Version	Symbol	Type
Unidirectional with female-female thread		V52
Bi-directional with female-female thread		V53
Unidirectional with push-in fitting		V54
Unidirectional with male thread on inlet and push-in fitting on outlet		V55



Series of in-line flow restrictors available with one direction (unidirectional) or 2 directions (bi-directional) control of the compressed air flow.

Threads	1/8"	1/4"	3/8"	1/2"	M5
Code	18	14	38	12	M5

External tube (mm)	4	6	8
Code	04	06	08

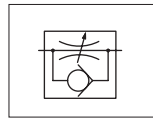
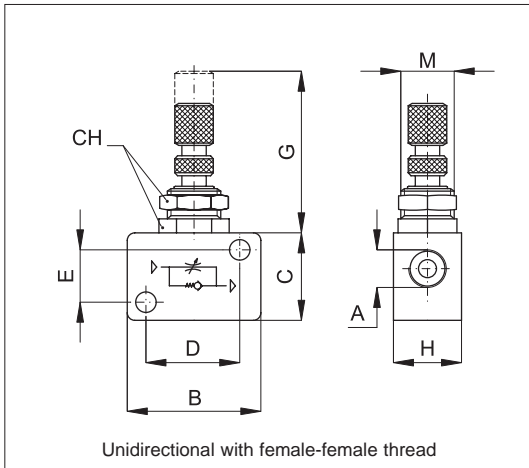
\* How to order: V550618

V55	06	18
Type	Tube or thread code	Tube or thread code

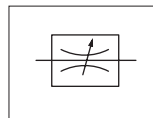
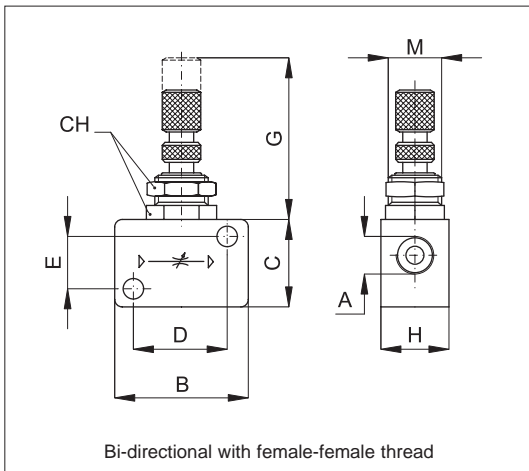
\* For standard items, codes and dimensions see table at page 4.80.2.

Flow table at 6 bar (NI/min)													
V52				V53				V54			V55		
1/8"	1/4"	3/8"	1/2"	1/8"	1/4"	3/8"	1/2"	04	06	08	04	06	08
450	600	1100	1400	210	300	500	500	140	250	400	100	250	400

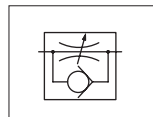
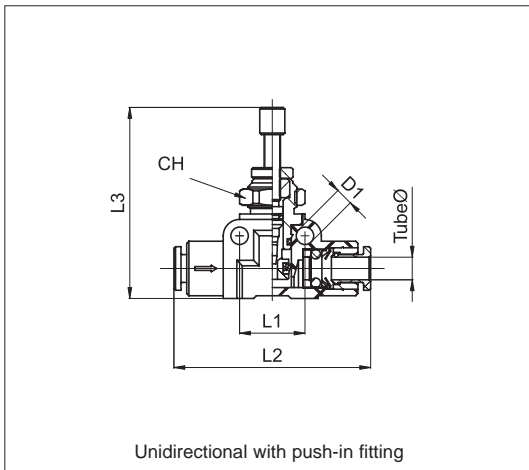
Technical data				
	V52	V53	V54	V55
Fluid	Compressed filtered air with or without lubrication			
Pressure range	2 ÷ 10 bar		0,5 ÷ 10 bar	
Temperature range	0 °C ÷ 60 °C			
Threads	Parallel: UNI - ISO 228/1, Metric: ISO R / 262			
Connection tubes	According to the fitting used		Calibrated nylon, polyurethane and rilsan	
Tubes tolerances	-		± 0,05 mm	
Materials	Body: Anodised aluminium Needle: Nickel plated brass  Seals: Nitrile rubber (NBR) Spring: Stainless steel		Body: Acetal resin Needle: Nickel plated brass Connections: Thread in nickel plated brass/ Push-in fitting Seals: Nitrile rubber (NBR) Spring: Stainless steel	



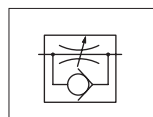
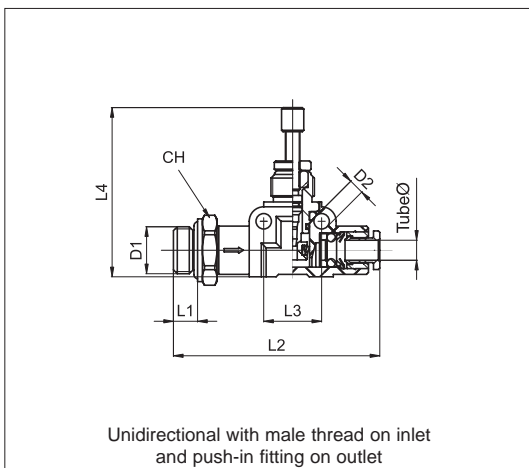
Code	Item	A	B	C	H	D	E	F	G	M	H
030001	V521818	1/8"	32	22	17	23	13	4,5	35	M12	15
030002	V521414	1/4"	40	32	22	30	22	4,5	35	M12	15
030004	V523838	3/8"	56	42	27	43	27	6,5	43	M18	24
030005	V521212	1/2"	56	42	27	43	27	6,5	43	M18	24



Code	Item	A	B	C	H	D	E	F	G	M	H
030031	V531818	1/8"	32	22	17	23	13	4,5	35	M12	15
030032	V531414	1/4"	40	32	22	30	22	4,5	35	M12	15
030033	V533838	3/8"	56	42	27	43	27	6,5	43	M18	24
030034	V531212	1/2"	56	42	27	43	27	6,5	43	M18	24



Code	Item	Tube Ø	D <sub>1</sub>	L <sub>1</sub>	L <sub>2</sub>	L <sub>3</sub> max	CH	gr.
030041	V540404	4	3,2	12	36	35	11	14
030042	V540606	6	3,2	15	45	45	14	-
030043	V540808	8	3,2	15	45	45	14	-



Code	Item	Tube Ø	D <sub>1</sub>	D <sub>2</sub>	L <sub>1</sub>	L <sub>2</sub>	L <sub>3</sub>	L <sub>4</sub> max	CH	gr.
030047	V550618	6	1/8"	3,2	5	52	15	45	13	-
030048	V550614	6	1/4"	3,2	6,5	54	15	45	16	-
030049	V550818	8	1/8"	3,2	5	53	15	46	14	-
030050	V550814	8	1/4"	3,2	6,5	55	15	46	16	-